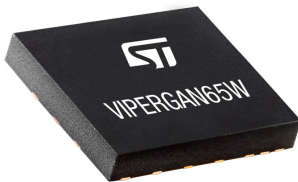


# Advanced quasi-resonant offline high voltage converter with E-mode GaN HEMT

## Features



- Quasi-resonant (QR) flyback controller
- 700 V E-mode power GaN transistor
- Embedded sense FET
- Dynamic blanking time and adjustable valley synchronization delay functions, to maximize efficiency at any input line and load condition
- Valley-lock to ensure constant valley skipping
- Advanced power management for less than 30 mW standby power consumption with adaptive burst-mode
- Output overvoltage protection (OVP)
- Input voltage feed-forward compensation for mains independent OPP variation
- Brown-in and brown-out protection
- Input overvoltage protection (iOVP)
- Output overload protection (OVL)
- Output rectifier short circuit protection (OCP\_LEB)
- Embedded thermal shutdown
- Frequency jitter for EMI suppression

## Applications

- High efficiency power adapters
- Fast battery chargers
- Auxiliary power supply for appliances, industrial, consumers, lig

## Description

The **VIPERGAN65W** is a high voltage converter, designed for medium power quasiresonant ZVS (Zero Voltage Switching at switch turn-on) flyback converters, capable to provide an output power up to 65 W in wide range and up to 85 W in European range or with a PFC in the front end.

It integrates a complete set of features that provide an extremely flexible and easy to use chip and helps to design a highly efficient offline power supply. The ZVS quasiresonant operation with the dynamic blanking time feature and the valley synchronization function, that turns on the power switch always at the valley of the drain resonance, reduces the switching losses and maximizes the overall efficiency at any input line and load condition. The advanced power management with the low quiescent helps to achieve low stand-by consumptions. The feed-forward compensation minimizes the maximum output peak power variation over the entire input voltage range.

In addition to the above functions, the device offers protection features that considerably increase end-product's safety and reliability: the output overvoltage protection (OVP), the overtemperature protection (OTP), the overload protection (OLP), the brown-in/out protection, that set the input voltage level to power on and power off the converter and the input overvoltage protection (iOVP), that protects the system in case of an abnormal increase of the input line. All the protections are autorestart mode.

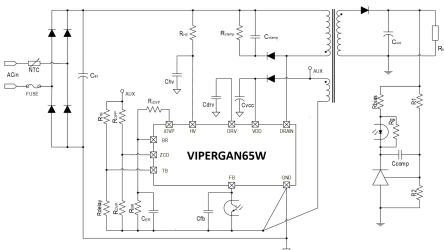
### Product status link

[VIPERGAN65W](#)

### Product label



**Figure 1. Typical application**



# 1 Pin connections and function

Figure 2. Connection diagram (top view)

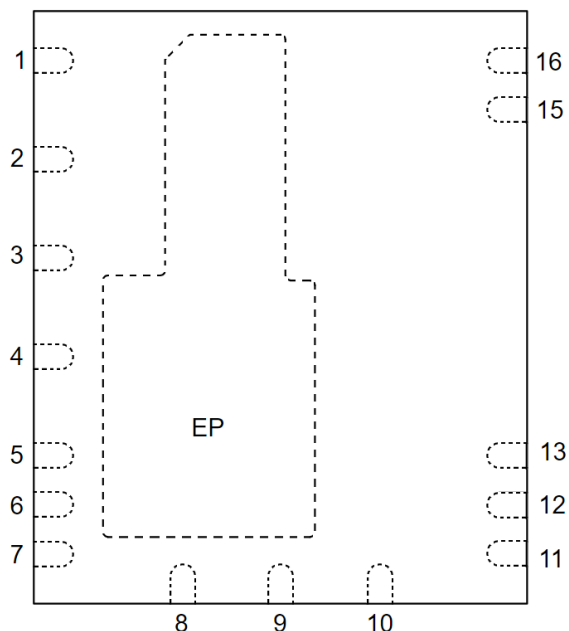


Table 1. Pin function

Pin N.	Name	Function
1,2,3,4,	GND	<b>Device ground for current return.</b>
5	BR	<b>Input brown-in and brown-out protection.</b> A 10 nF capacitor between this pin and GND is required. If the feature is not used, the pin must be connected to GND.
6	iOVP	<b>Input OVP protection.</b> If the feature is not required, the pin must be connected to BR.
7	N.A.	<b>Not available for user.</b> This pin is mechanically connected to the controller die pad of the frame. In order to improve noise immunity it must be connected to GND.
8	HV	<b>Start-up pin.</b> Connect to the main through a resistor to provide the bias to the HV start-up generator. It is also used as upper resistor to set the BR and iOVP functions. Select a value in the range 10-30 MΩ to minimize the residual consumptions. A 220 pF ceramic capacitor must be connected between this pin and GND for proper functionality of high voltage start-up control logic.
9	TB	<b>Blanking time adjustment and valley synchronization.</b> During on-time, a resistor connected between TB and the auxiliary winding increases the blanking time proportionally to the input voltage, to reduce the switching losses at high line. During off-time, a voltage divider connected among auxiliary winding, TB and GND allows adjusting the turn-on delay time after demagnetization, to precisely synchronize the GaN turn-on with the valley of the resonance. Connect the pin to GND if both functions are not used.
10	FB	<b>Feedback.</b> This pin is used to set the peak current value required by the control loop for a given output load. The pin is the input for the optocoupler. A level 100 mV below the threshold $V_{FBB}$ activates the burst-mode operation. A level close to the threshold $V_{FBH}$ approaches the cycle-by-cycle overcurrent set point.

Pin N.	Name	Function
11	ZCD	<p><b>ZCD.</b> Transformer's demagnetization sensing for quasi-resonant operation.</p> <p>A voltage divider must be connected among auxiliary winding, ZCD and GND. A negative-going edge across the pin triggers GAN turn-on.</p> <p>During GAN's on-time, the current sourced by the pin is monitored to get an image of the input voltage to the converter, used for feed-forward compensation.</p> <p>During GAN's off-time, a voltage exceeding the OVP threshold shuts the IC down reducing the device consumption. This function is strobed and digitally filtered for high noise immunity.</p>
12	VDD	<p><b>Controller supply.</b> An electrolytic capacitor, connected between this pin and GND, is initially charged by the internal HV start-up generator.</p> <p>A 100 nF ceramic cap between VDD and GND, as close as possible to the IC, might be required to reject high frequency disturbances from internal circuitries.</p>
13	DRV	<p><b>GaN driver section supply.</b> An internal voltage regulator tightly sets the driving voltage for GaN to 6 V to obtain best performance.</p> <p>A low ESR/ESL 1 <math>\mu</math>F ceramic capacitor placed between this pin and GND is required.</p>
15,16	DRAIN	<b>Drain pin of the GAN switch</b>
EP	EP	<b>Exposed Pad.</b> This pin is mechanically connected to the controller die pad of the frame. In order to improve noise immunity it must be connected to GND.

## 2 Electrical data

### 2.1 Absolute maximum ratings

Stressing the device above the rating listed in Table 2 may cause permanent damage to the device. These are stress ratings only and operation of the device at these or any other conditions above those indicated in the Operating sections of this specification is not implied. Exposure to Absolute Maximum Rating conditions for extended periods may affect device reliability.

**Table 2. Absolute maximum ratings**

Symbol	Pin	Parameter	Value		Unit
			Min.	Max.	
V <sub>DRAIN</sub>	15, 16	Drain Blocking DC voltage		700	V
		Drain transient voltage (T <sub>pulse</sub> < 1 μs)		800	
	5, 10	Analog Inputs & Outputs	-0.3	3.6	V
I <sub>ZCD</sub>	11	Zero Current Detector current	-3	3	mA
I <sub>TB</sub>	9	TB current	-3	3	mA
V <sub>DD</sub>	12	Supply Voltage (I <sub>DD</sub> < 25 mA)	-0.3	Self-limited	V
I <sub>DD</sub>	12	Device supply current + internal Zener capability		25	mA
I <sub>DRV</sub>	13	Device supply current + external load		5	mA
V <sub>IOVP</sub>	6	iOVP configuration according to Section 5.14, Section 5.14 or Section 5.14		10	V
		iOVP externally biased		6	V
V <sub>HV</sub>	8	Start-up pin	-0.3	Self-limited	
T <sub>J</sub>		Junction Temperature Range	-40	150	°C
T <sub>STG</sub>		Storage Temperature	-55	150	°C

### 2.2 Thermal data

**Table 3. Thermal data**

Symbol	Parameter	Max. value	Unit
R <sub>TH-JEP</sub>	Thermal resistance junction to Exposed Pad <sup>(1)</sup>	1.5	°C/W
R <sub>TH-JA</sub>	Thermal resistance junction to ambient <sup>(1)</sup>	32	°C/W

1. P<sub>diss</sub> = 1 W – Natural Convection - Board: 11.4 mm x 7.6 mm FR4, 4 layer, 2 oz copper, 5 vias under EP JESD 51-7

### 2.3 Typical power capability

**Table 4. Typical power capability**

85-265 V <sub>AC</sub> <sup>(1)</sup>	185-265 V <sub>AC</sub> <sup>(1)</sup>
65 W	85 W

1. Typical maximum output power rating in adapter design at 50°C ambient with adequate heatsinking.

### 3 Electrical characteristics

**Table 5. Electrical characteristics**
 $T_J = -25\text{ °C to }125\text{ °C}$ ,  $V_{DD}=14\text{ V}$ , unless otherwise specified

Symbol	Parameter	Test Condition	Min.	Typ.	Max.	Unit
<b>Power section</b>						
$I_{DSS}$	Off-state drain current	$V_{DRAIN} = 700\text{ V}$ , LS On, HS Off, $T_J = 25\text{ °C}$		0.6	12	$\mu\text{A}$
		$V_{DRAIN} = 700\text{ V}$ , LS On, HS Off, $T_J = 125\text{ °C}$		5		
$R_{DS(ON)HS}$	HS drain-source on-state resistance	$T_J = 25\text{ °C}$ ; $I_D = 2\text{ A}$		290	370	$\text{m}\Omega$
		$T_J = 125\text{ °C}$ ; $I_D = 2\text{ A}$		600		
$R_{DS(ON)LS}$	LS drain-source on-state resistance	$T_J = 25\text{ °C}$ , $I_D = 2\text{ A}$		72		$\text{m}\Omega$
<b>High voltage start-up generator</b>						
$V_{START}$	Drain-source start voltage	$R_{HV} = 10\text{ M}\Omega$ , $T_J = 25\text{ °C}$			34.5	$\text{V}$
		$R_{HV} = 20\text{ M}\Omega$ , $T_J = 25\text{ °C}$			41	
$I_{CHARGE}$	$V_{DD}$ start-up charge current	$V_{DD} \leq V_{DD-FOLD}$	0.4	0.65	0.9	$\text{mA}$
		$V_{DD-FOLD} < V_{DD} < V_{DD-ON}$	2.6	3.55	4.5	
$I_{HV}$	HV off current	$V_{HV} = 22\text{ V}$ , $T_J = 25\text{ °C}$		124		$\text{nA}$
$V_{DD-FOLD}$	$V_{DD}$ foldback threshold		1	1.4	2	$\text{V}$
<b>Supply voltage</b>						
$V_{DD}$	Operating range	After turn-on	9		23	$\text{V}$
$V_{DRV-op}$	Operating range	After turn-on	5.7		6.3	$\text{V}$
$V_{DD-ON}$	Turn-on threshold		14	15	16	$\text{V}$
$V_{DD-OFF}$	Turn-off threshold		7.5	8	8.5	$\text{V}$
$V_{DD-RESTART}$	Restart threshold		6.5	7	7.5	$\text{V}$
$V_{DD-ONREG}$	$V_{DD}$ voltage for regulator turn-on	$V_{DD}$ rising after $V_{UVLO}$	6.5	7	7.5	$\text{V}$
$V_{DD-CL}$	$V_{DD}$ clamping voltage	$I_{DD} = 25\text{ mA}$	23.8	25	27.2	$\text{V}$
$V_{DRV}$	Driver regulation voltage	$I_{DRV} = 2\text{ mA}$	5.7	6	6.3	$\text{V}$
$V_{DRV-OK}$	Driver UVLO voltage	Rising voltage	5.2		5.7	$\text{V}$
		Hysteresis		0.2		$\text{V}$
$V_{DRV-OVP}$	Driver OVP voltage	Rising voltage	6.8		7.5	$\text{V}$
$V_{DRV-HYST}$	Driver OVP hysteresis	Hysteresis		0.3		$\text{V}$
$I_{DRV-MAX}$	Driver short-circuit current	$DRV = \text{GND}$	4			$\text{mA}$
$I_{DD-CL}$	Shutdown clamping current		20	26	32	$\text{mA}$
$T_{DD-CL}$	Shutdown clamping delay			100		$\mu\text{s}$

Symbol	Parameter	Test Condition	Min.	Typ.	Max.	Unit
<b>Supply current</b>						
$I_Q$	Quiescent current	Burst-mode operation			900	$\mu\text{A}$
$I_{DD}$	Operating supply current	TB=GND; $F_{SW} = 100 \text{ kHz}$ Including DRV supply current, $V_{FB} = 0.9 \text{ V}$			3.2	mA
$I_{DD-FAULT}$	Fault quiescent current	$V_{DD} > V_{DD-OFF}$			620	$\mu\text{A}$
<b>Current limitation</b>						
$I_{DLIM}$	Drain current limitation	$V_{FB} = 3.1 \text{ V}$	2.884	3	3.156	A
$I_{OCP\_LEB}$	OCP_LEB current threshold			2.69		A
$I_{BM}$	Burst-mode current	$V_{FB} = 0.7 \text{ V}$	600	710	823	mA
$T_{SS}$	Soft-start time			8		ms
$T_D$	Propagation delay	$dI_{DRAIN}/dt = 50 \text{ mA}/\mu\text{s}$			150	ns
$T_{LEB}$	Leading-edge blanking		163	170	220	ns
$T_{ON-MIN}$	Minimum turn-on time	$dI_{DRAIN}/dt = 50 \text{ mA}/\mu\text{s}$		260	350	ns
<b>Startup timers and frequency limit</b>						
$F_{LIM\_MAX}$	Max internal frequency limit	TB = GND	176	240	330	kHz
<b>Zero current detector</b>						
$I_{ZCDB}$	Input bias current	$V_{ZCD} = 0.1 \text{ to } 2.7 \text{ V}$			1	$\mu\text{A}$
$V_{ZCDH}$	Upper clamp voltage	$I_{ZCD} = 1 \text{ mA}$	3		3.5	V
$V_{ZCDL}$	Lower clamp voltage	$I_{ZCD} = -1 \text{ mA}$		-60		mV
$V_{ZCDA}$	Arming voltage	positive-going edge	100	115	130	mV
$V_{ZCDT}$	Triggering voltage	Negative-going edge	50	60	70	mV
$T_{BLANK}$	Trigger blanking time after GaN's turn-on	$V_{FB} \geq V_{FBR}$ , $I_{TB-neg} = 0$	3.04	4.16	5.66	$\mu\text{s}$
		$V_{FB} \geq V_{FBR}$ , $I_{TB-neg} = 1 \text{ mA}$	10	15	20	
		$V_{FB} = V_{FBB}$	12	16	20	
$T_{FORCE}$	Force turn-on time after blanking	After soft-start	2	2.7	3.4	$\mu\text{s}$
		During soft-start		23		
<b>Compensation</b>						
$V_{FBH}$	Upper saturation		3			V
$V_{FBR}$	Frequency reduction threshold		0.98	1.15	1.32	V
$V_{FBB}$	Burst-mode threshold		0.63	0.7	0.77	V
$V_{HYST}$	Burst-mode hysteresis			60		mV
$G_{FB}$	Voltage to $R_{FF}$ current			49.4		$\mu\text{A}/\text{V}$
$R_{FF}$	FB internal current sense resistor			1.55		k $\Omega$
$H_{FB}$	Current sense gain			1.01		V/A

Symbol	Parameter	Test Condition	Min.	Typ.	Max.	Unit
$I_{FB}$	Source current	$V_{FB} = 0\text{ V}$	70	100	130	$\mu\text{A}$
$R_{FB}$	Dynamic feedback resistor			15		$\text{k}\Omega$
<b>Dynamic blanking time and turn-on delay setting</b>						
$K_{BLANK}$	Blanking time gain	$I_{TB} = 10\ \mu\text{A}$ to $1\ \text{mA}$	7.64	10.91	14.18	$\mu\text{s}/\text{mA}$
$V_{TBH}$	TB upper clamp voltage	$I_{TB} = 1\ \text{mA}$	3.1	3.3	3.5	V
$V_{TBL}$	TB lower clamp voltage	$I_{TB} = 1\ \text{mA}$	-30		20	mV
$V_{D-ON(MIN)}$	TB lower delay voltage			0.6		V
$V_{D-ON(MAX)}$	TB upper delay voltage			2.6		V
$T_{D-ON(MIN)}$	Minimum turn-on delay time after triggering	$V_{TB} \leq V_{D-ON(MIN)}$		197		ns
$T_{D-ON(MAX)}$	Minimum turn-on delay time after triggering	$V_{TB} \geq V_{D-ON(MAX)}$		1.1		$\mu\text{s}$
$V_{TB-DIS}$	Disable TB pin voltage		80	100	120	mV
$I_{TB-DIS}$	Disable TB current		160	200	240	$\mu\text{A}$
<b>Output overvoltage protection</b>						
$V_{OVP}$	Output OVP threshold		2.375	2.5	2.625	V
<b>Line voltage feed-forward</b>						
$\alpha_{FF}$	Feed-forward current modulation gain	$V_{FB} > 1.2\ \text{V}$	44	55	66	$\mu\text{A}/\text{mA}$
		$V_{FB} < 0.8\ \text{V}$	8.8	11	13.2	
<b>Overload protection</b>						
$T_{OVL}$	Overload time			50		ms
$T_{RESTART}$	Restart time after fault			1		s
<b>Brown-in/out and input OVP</b>						
$V_{BR-IN}$	Brown-in threshold		0.475	0.5	0.525	V
$V_{BR-OUT}$	Brown-out threshold		0.38	0.4	0.42	V
$V_{BR-DIS}$	Brown-in/out disable voltage		80	100	120	mV
$I_{BR-DIS}$	Brown-in/out disable current		12	15	18	$\mu\text{A}$
$T_{BR-IN}$	Brown-in delay time		200	250	300	$\mu\text{s}$
$T_{BR-OUT}$	Brown-out delay time		24	30	36	ms
$V_{iOVP\_th}$	Input OVP threshold		4.75	5	5.25	V
$T_{iOVP}$	Input OVP delay time		200	250	300	$\mu\text{s}$

Symbol	Parameter	Test Condition	Min.	Typ.	Max.	Unit
<b>Frequency jittering</b>						
$F_D$	Modulation frequency			10		kHz
$D_{FD}$	Modulation duty-cycle			50		%
$\Delta I_{pk}$	Peak current change			5		%
<b>Thermal shutdown</b>						
$T_{SD}$	Thermal shutdown temperature	Guaranteed by design and characterization	125	140	155	°C
$T_{SD-REST}$	Restart time after OTP and OCP_LEB activation			2		s



## 4 Typical electrical characteristics

Figure 3. Typ.  $I_{DLIM}$  vs.  $T_J$

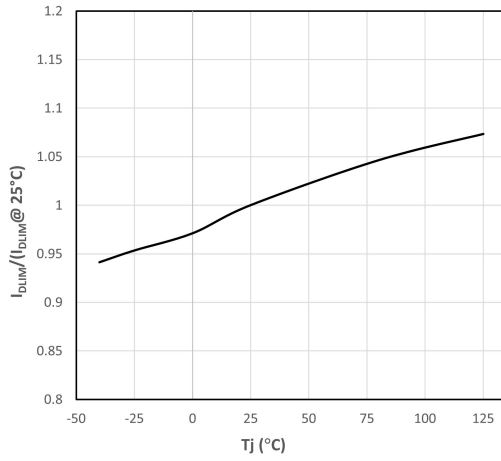


Figure 4.  $V_{START}$  vs.  $T_J$  @10 M $\Omega$  and 20 M $\Omega$

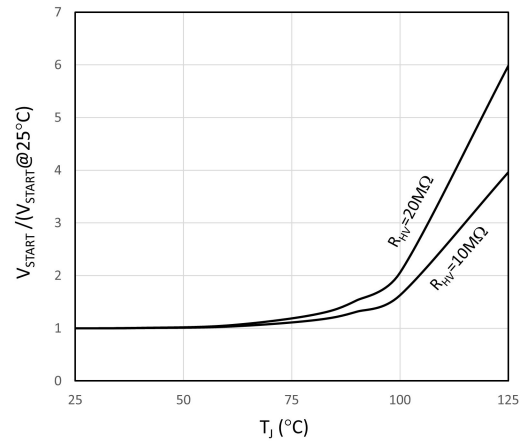


Figure 5. Typ.  $R_{DS(ON)HS}$

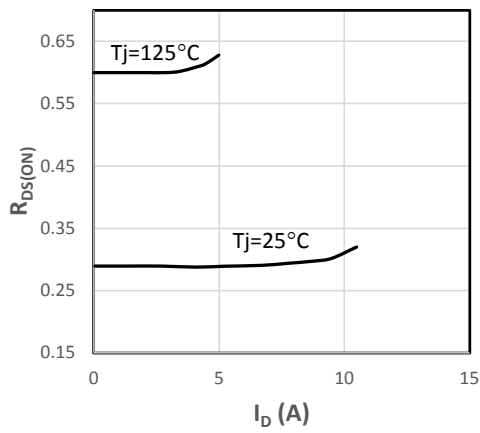


Figure 6. Typ.  $R_{DS(ON)HS}$  vs.  $T_J$

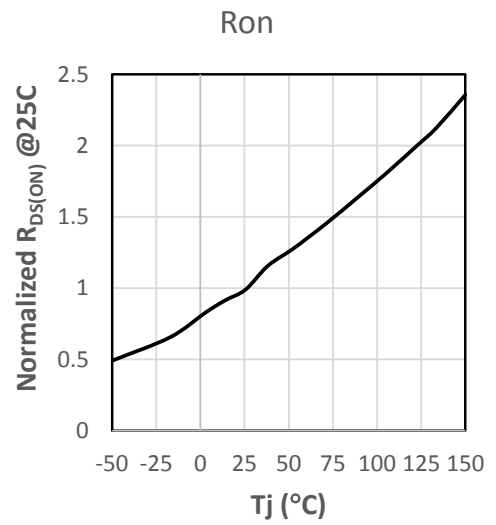


Figure 7. Typ.  $I_D$  vs.  $V_{DS}$

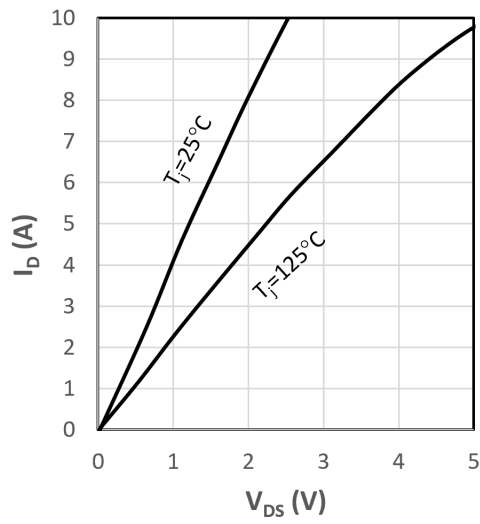


Figure 8. Typ.  $C_{OSS}$  vs.  $V_{DS}$

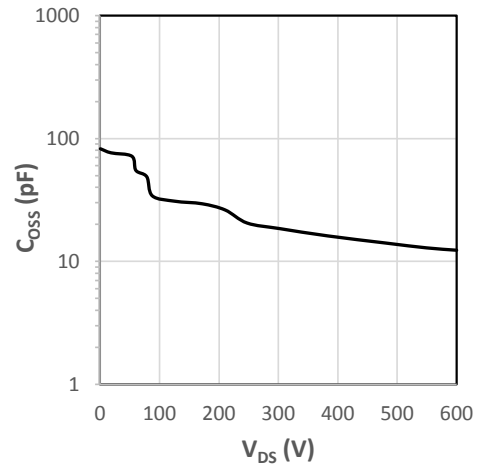
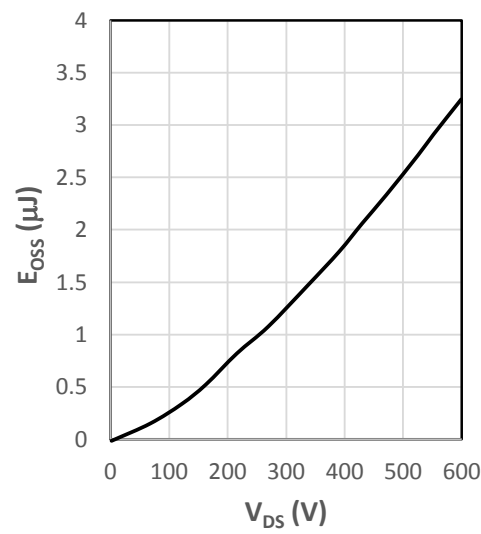


Figure 9. Typ.  $E_{OSS}$  vs.  $V_{DS}$



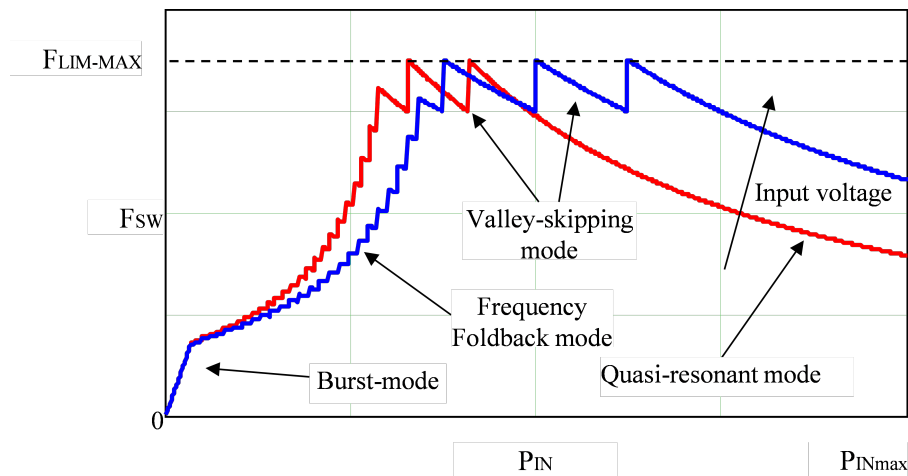
## 5 Application information

### 5.1 Multi-mode operations

The VIPERGAN65W is an offline Quasi-Resonant ZVS (Valley Switching at switch turn-on) flyback converter. Depending on converter's load condition, the device is able to work in different modes (see Figure 10):

1. QR mode at heavy load. Quasi-resonant operation is achieved by synchronizing the GaN turn-on to the transformer demagnetization by detecting the resulting negative-going edge of the voltage across any winding of the transformer. The system then works close to the boundary between discontinuous (DCM) and continuous conduction (CCM) of the transformer. As a result, the switching frequency is different for different line/load conditions (see the hyperbolic-like portion of the curves in Figure 10). The minimum turn-on losses, low EMI emission and safe behavior in short-circuit are the main benefits of this kind of operation.
2. Valley-skipping mode at heavy/medium load. The device defines the maximum operating frequency of the converter. As the load is reduced the GaN turn-on no longer occurs on the first valley but on the second one, the third one and so on. In this way the switching frequency no longer increases, limiting the switching losses.
3. Frequency foldback mode at medium/light load. The maximum switching frequency limit is progressively reduced with the FB pin voltage, still maintaining ZVS operation. This maximizes efficiency at light load, still ensuring noise-free operations, since the switching frequency is bottom limited above the audible frequency range.
4. Burst-mode with no or very light load. When the load is extremely light or disconnected, the converter enters a controlled on/off operation with constant peak current. Decreasing the load then results in frequency reduction, which can go down even to few hundred hertz, thus minimizing all frequency-related losses and making it easier to comply with energy saving regulations or recommendations. As the peak current is very low, no issue of audible noise arises.

Figure 10. Multi-mode operation of VIPERGAN65W



### 5.2 High voltage start-up generator and supply structures

Based on a double FET structure, the HV current generator is supplied through the DRAIN pin and is used to start up the device.

The internal schematic is shown in Figure 11. Before startup, the switch SW1 is closed, SW2 and SW3 are open, whereas the low-side MOSFET (LS MOSFET) is open.

When the power is applied to the circuit, the gate of the high-side GaN (HS GaN) is pulled up through the resistor  $R_{HV}$  and capacitor  $C_{HV}$ . If the voltage is high enough, the internal current generator draws the current  $I_{CHARGE}$  (3.55 mA typ.) to charge the capacitor connected between  $V_{DD}$  and GND. To avoid excessive IC dissipation in case  $V_{DD}$  is accidentally shorted to GND, this current is initially reduced to 0.6 mA, until  $V_{DD}$  is lower than  $V_{DD-FOLD}$ .



### 5.3 Zero current detection and triggering block

The zero current detection (ZCD) and triggering block switches on the power GaN if a negative-going edge falling below 60 mV is applied to the ZCD pin. To do so, the triggering block must be previously armed by a positive-going edge exceeding 110 mV.

This feature is used to detect transformer demagnetization for the QR operation, where the signal for the ZCD input is obtained from the transformer auxiliary windings used also to supply the IC.

The triggering block is blanked after GaN turn-on to prevent any negative-going edge that follows leakage inductance demagnetization from triggering the ZCD circuit erroneously.

The switching frequency is top limited below 240 kHz.

To prevent the tendency of the system to excessively increase the frequency at light load, a variable blanking time, function of the FB pin voltage, is implemented. This blanking time is maximum for  $V_{FB} = V_{FBB}$  and decreases linearly down to the minimum for  $V_{FB} = V_{FBR}$ .

In QR systems the switching frequency also increases with the input line. To solve this issue, the VIPERGAN65W offers a special dynamic blanking time function, which reduces the maximum permitted switching frequency as the input line increases. This function is settable through the TB pin and is explained in the relevant section.

In this way, the switching frequency is progressively reduced with the input voltage and output load, resulting in lower frequency-related losses.

If the demagnetization completes - hence a negative-going edge appears on the ZCD pin - after a time exceeding time  $T_{BLANK}$  from the previous turn-on, the GaN is turned on again, with some delay to ensure minimum voltage at turn-on ("QR mode").

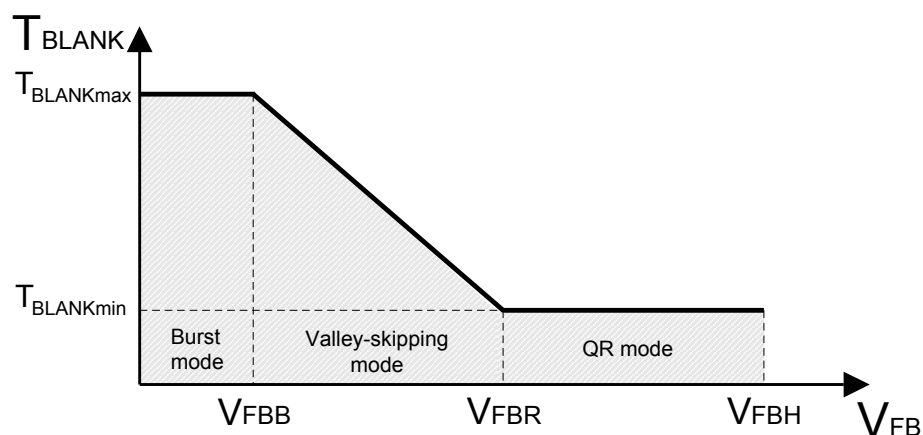
If the negative-going edge appears before  $T_{BLANK}$  has elapsed, it is ignored and only the first negative-going edge after  $T_{BLANK}$  turns on the GaN. In this way one or more drain ringing cycles is skipped ("valley-skipping mode") and the switching frequency is prevented from exceeding  $1/T_{BLANK}$ .

The blanking time limits and the mode of operation are reported in Figure 12.

In case the amplitude of residual oscillation on ZCD is not enough to trigger again the switching (it could happen during low frequency operation), an internal function forces the GaN to turn on,  $T_{FORCE}$  after the blanking time is elapsed. A starter block is also used to start up the system when the signal on the ZCD pin is not high enough to trigger the GaN. After the first few cycles initiated by the starter, as the voltage developed across the auxiliary winding becomes large enough to arm the ZCD circuit, the GaN's turn-on starts to be locked to transformer demagnetization, hence setting up the QR operation.

The ZCD pin voltage is both top and bottom limited by a double clamp. The upper clamp is typically located at 3 V, the lower clamp at -60 mV. The interface between the pin and the auxiliary winding is a resistor divider. Its resistance ratio as well as the individual resistance values are properly chosen, see Section 5.6 and Section 5.11.

Figure 12. Frequency limits and modes of operations



### 5.4 Valley-lock feature

When the system operates in the valley skipping-mode, uneven switching cycles may be observed under some line/load conditions, due to the fact that the off-time of the GaN is allowed to change with discrete steps of one ringing cycle, while the off-time needed for cycle-by-cycle energy balance may fall in between. Thus, one or more longer switching cycles are compensated by one or more shorter cycles and vice versa.

This “valley-jump” phenomenon introduces a low-frequency component in the primary current that may fall in the audible range and if this periodic perturbation is sufficiently large in amplitude, audible noise can be generated by mechanical vibrations of the magnetic components.

To avoid this phenomenon a new patent-pending valley-lock feature is implemented that, for a certain input voltage and output load condition, fixes the number of skipped valleys during valley skipping mode operation, regardless of the DC bus voltage ripple.

The function is disabled when the  $V_{FB}$  falls below 1.3 V and re-enabled again when  $V_{FB}$  increases up to 1.43 V (typ.)

## 5.5 Constant voltage operation and burst-mode

The FB pin is connected to an optocoupler which transmits the error signal from the regulation loop located on the secondary side of the converter, see Figure 13. Typically, a TS431 is used as a voltage reference.

The FB pin is driven directly by the phototransistor's collector to modulate the duty cycle.

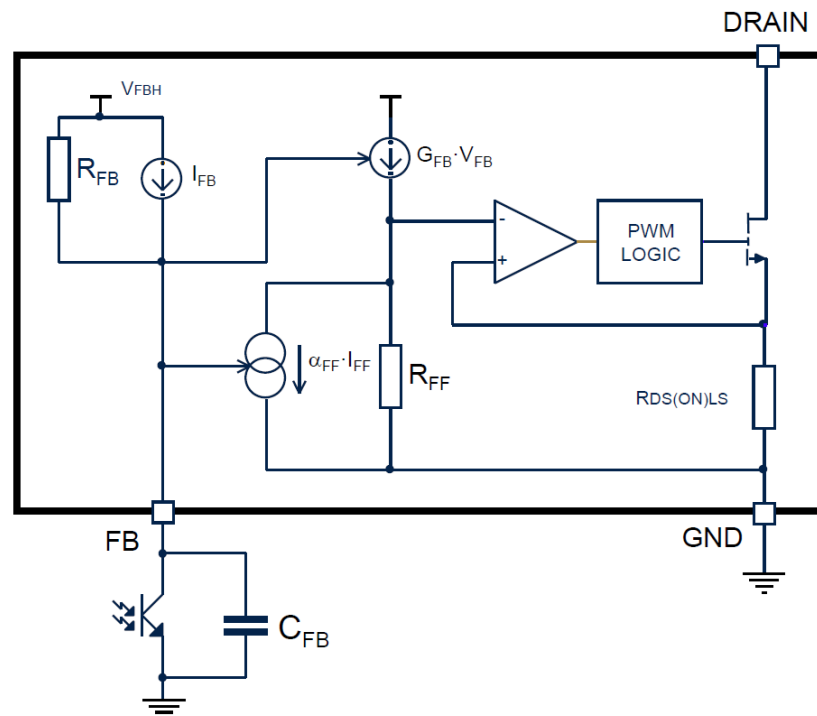
A capacitor across the pin is usually used to compensate the loop.

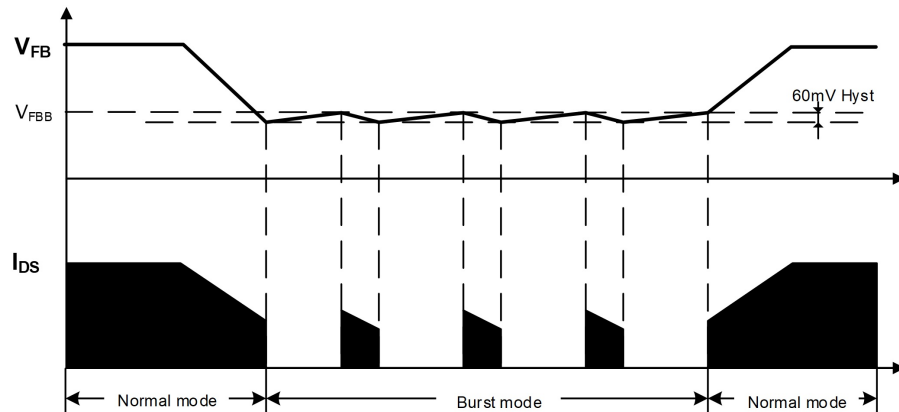
When the FB pin voltage falls 60 mV below  $V_{FBB}$ , the GaN is turned OFF and the IC consumption is reduced to  $I_Q$  to minimize the bias losses.

After the GaN turns OFF, the FB pin voltage increases as a reaction to the interruption of the energy delivery, and as it reaches  $V_{FBB}$  the device starts switching again.

The effect of this burst-mode operation, shown in Figure 14, is to reduce the equivalent switching frequency, which can go down even to few hundred hertz, minimizing all frequency related losses and making it easier to comply with energy saving regulations. Also the low peak current ensures noise free operations.

**Figure 13. Constant output voltage control principle: internal schematic and pin configuration**



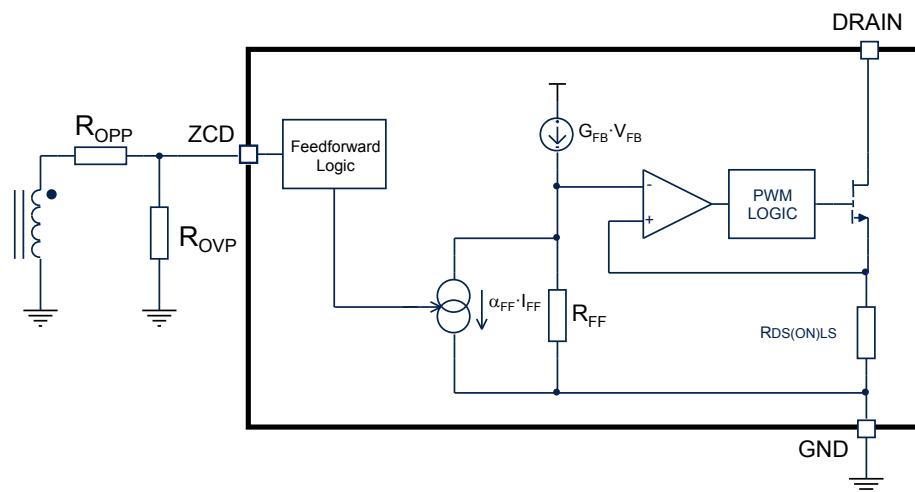
**Figure 14. Burst-mode operation**


## 5.6 Line voltage feed-forward block

The power that a QR flyback converter with a fixed overcurrent set point can deliver changes considerably with the input voltage.

In wide-range mains applications, the deliverable power at high line can be more than twice than at minimum voltage. This is a problem because it means that at high line the system could be operated at a power level much higher than that which triggers overload at low lines, thus requiring an overrating of the power components.

The VIPERGAN65W implement a feed-forward function able to solve this issue: the voltage across the auxiliary winding is monitored and the information is used to compensate the converter (see Figure 15).

**Figure 15. Feed-forward compensation: simplified internal schematic and pin configuration.**


During GaN's on-time the current sourced from the ZCD pin through the  $R_{OPP}$  resistor is mirrored inside the "Feed-forward Logic" block to provide a feed-forward current  $I_{FF}$ , proportional to the input voltage according to the formula:

**Equation 1**

$$I_{FF} = \frac{N_{AUX}}{N_{PRI}} \cdot \frac{V_{IN}}{R_{OPP}} \quad (1)$$

where  $N_{AUX}$  and  $N_{PRI}$  are the turns number of the auxiliary and primary windings of the transformer respectively.

The  $R_{OPP}$  value ensuring that the maximum deliverable output power is the same at the extremes of the input voltage range is referred to as  $R_{OPP(OPT)}$  and can be calculated through the equation below:

**Equation 2**

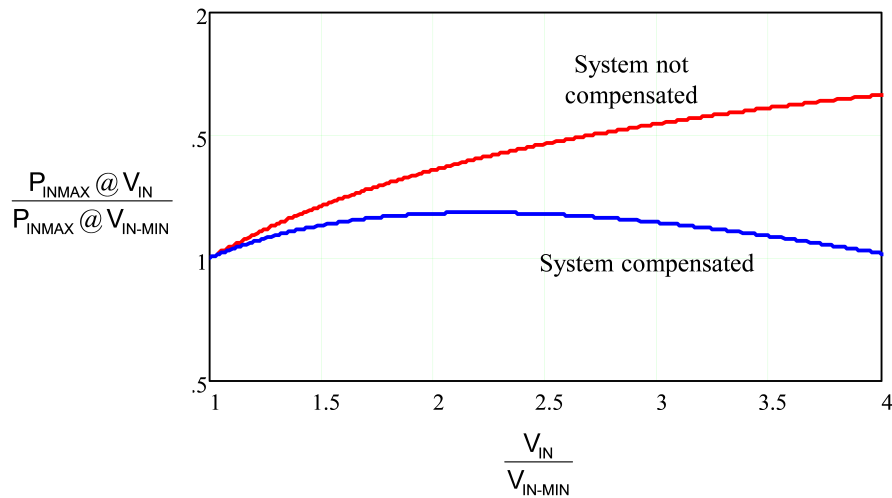
(2)

$$R_{OPP(OPT)} = \frac{N_{AUX}}{N_{PRI}} \cdot \frac{\alpha_{FF}}{G_{FB} \cdot V_{FBH}} \cdot \left( V_{INmin} + V_{INmax} + \frac{V_{INmin} \cdot V_{INmax}}{V_R} \right)$$

The  $R_{OPP(OPT)}$  selection corresponds to the "system compensated" curve .

To minimize the difference between the power levels at which the converter enters burst mode at low line and high line, the effect of feedforward correction is linearly reduced as load decreases, from 100 % (at  $V_{FB} \geq 1.2$  V) to 20 % (at  $V_{FB} < 0.8$  V). The residual  $I_{FF}$  in burst-mode ensures a certain level of compensation against the propagation delay  $T_D$ .

**Figure 16. Typical power capability variation vs. input voltage in QR flyback**



The main effect of feedforward correction is to decrease the current setpoint as  $V_{IN}$  increases, and  $R_{OPP(OPT)}$  could result into a too high  $I_{DLIM}$  reduction at  $V_{INmax}$  to supply the nominal output power,  $P_{OUTnom}$ .

If  $I_{DRpk}(P_{OUTnom}, V_{INmax})$  is the DRAIN peak current value needed, the minimum value of  $R_{OPP}$  allowing to supply  $P_{OUTnom}$  at  $V_{INmax}$  is given by the following formula:

**Equation 3**

$$R_{OPP}(V_{INmax}) = \frac{N_{AUX}}{N_{PRI}} \cdot \frac{\alpha_{FF} \cdot V_{INmax}}{G_{FB} \cdot V_{FBH} - I_{DRpk}(P_{OUTnom}, V_{INmax}) \cdot \frac{R_{DS(ON)LS}}{R_{FF}}} \quad (3)$$

At this point, if  $R_{OPP}$  is selected as:

**Equation 4**

$$R_{OPP} = \max(R_{OPP(OPT)}, R_{OPP}(V_{INmax})) \quad (4)$$

the nominal output power capability at  $V_{INmax}$  will be always guaranteed; and, if  $R_{OPP(OPT)} > R_{OPP}(V_{INmax})$ , also the power capability compensation at the extremes of the input voltage range.

## 5.7 Dynamic blanking time

Since the capacitive losses in a power system increase with the frequency, the tendency of the QR converters to increase the switching frequency with the input line is one of the major limitations to consider when designing high efficiency converters.

To solve this issue, the VIPERGAN65W offers a special dynamic blanking time function, which reduces the maximum permitted switching frequency as a function of the input line.

Connecting the pin TB to the auxiliary winding through the resistor  $R_{TB}$ , the current sourced by the pin during the on-time, which is proportional to the input voltage, is sampled and used to adjust the blanking time during the off-time.



The advantage of this technique is that the frequency reduction is higher where mostly required, i.e., at high line, and minimum at low line.

The following equation can be used to dynamically adjust the dynamic blanking time  $T_{BLANK(dyn)}$ :

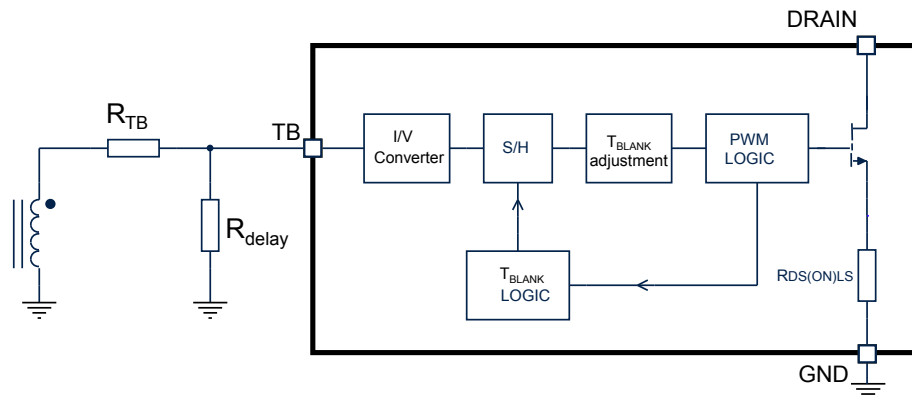
**Equation 5**

(5)

$$R_{TB} = \frac{N_{AUX}}{N_{PRI}} \cdot \frac{K_{BLANK} \cdot V_{IN}}{T_{BLANK(dyn)} - T_{BLANK}}$$

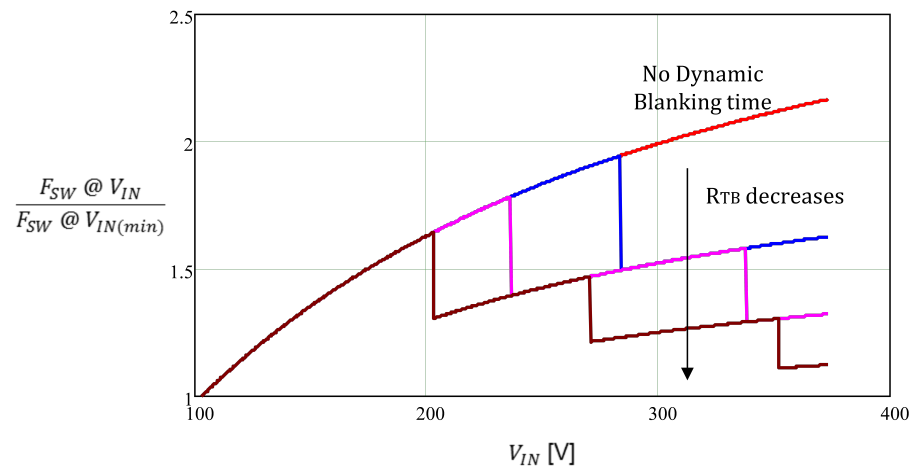
In this formula,  $T_{BLANK}$  is the default value at  $V_{FB} \geq V_{FBR}$  and  $K_{BLANK}$  is the blanking time gain.

**Figure 17. Dynamic blanking time: internal schematic and pin configuration**



The result of such dynamic variation is shown in Figure 18: at low input line the switching frequency does not change (or changes slightly) compared to the case in which dynamic blanking time is not implemented, while decreases more and more as the input voltage increases.

**Figure 18. Typical normalized switching frequency variation over input voltage range**

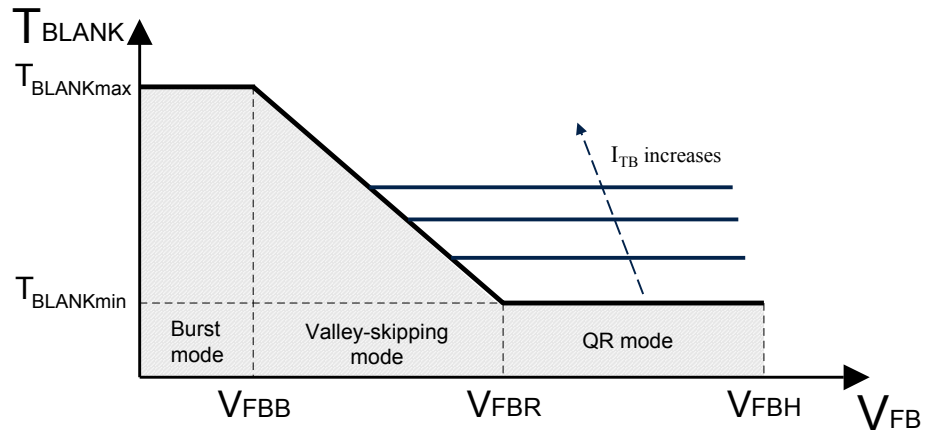


The function beneficially impacts also on the blanking time profile variation versus FB voltage, as shown in Figure 19: depending on the input voltage, the dynamic blanking time reduces the maximum permitted switching frequency also at medium/light load, thus further minimizing the related losses.

This method reduces the frequency variation span and, consequently, increases the peak of the primary side current. The Line Feed-forward compensation must be adjusted to guarantee the same power capability at any line condition.

Dynamic blanking time and valley synchronization (see relevant section) functions can be disabled connecting the pin TB to ground. The decision if the function is used or not is taken at power-up: before the pin  $V_{DD}$  reaches the  $V_{DD-ON}$  threshold, the current  $I_{TB-DIS}$  (200  $\mu$ A typ.) is sourced from the pin. If the TB pin voltage is lower than the  $V_{TB-DIS}$  threshold (100 mV typ.), the pin is assumed to be connected to GND, the related circuitry is disabled, and the information is latched until the next power-on.

**Figure 19. Blanking time variation vs. FB voltage with dynamical Blanking time active**



## 5.8 Valley synchronization

The main feature of the QR converters is that the turn-on occurs at the valley of the resonance after the secondary demagnetization, which is a function of primary inductance,  $L_P$  and total capacitance of the drain node,  $C_D$ . With respect to the transformers' demagnetization instant, the first valley occurs with a delay given by the formula:

**Equation 6**

(6)

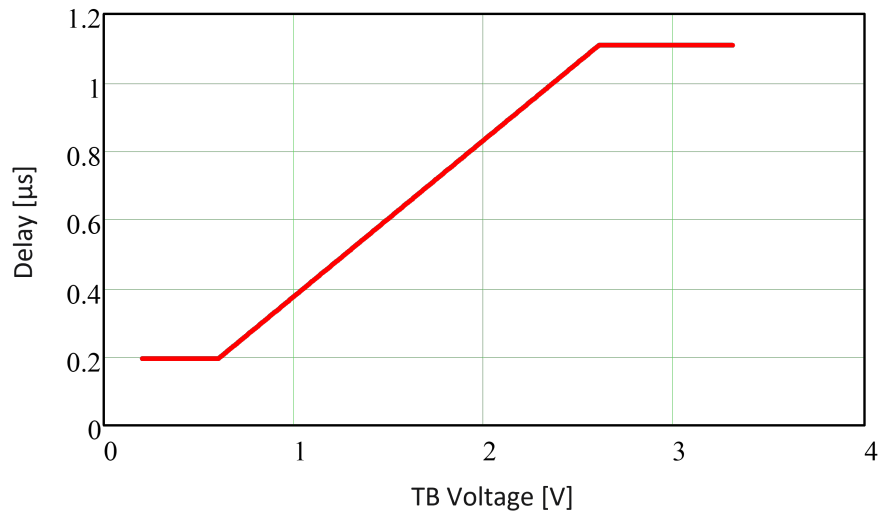
$$T_{VALLEY} = \pi \cdot \sqrt{L_P \cdot C_D}$$

Since  $T_{VALLEY}$  can change a lot between one design and another, it is not easy to minimize the turn-on losses using a fixed turn-on delay time after ZCD triggering. For this reason, the VIPERGAN65W integrates a special function that can increase the default turn-on delay time after trigger,  $T_{D-ON(MIN)}$

(197 ns typ.) to exactly synchronize the turn-on time at the valley of the resonance, minimizing the turn-on losses.

The pinout configuration is shown in Figure 1: the voltage divider made up by  $R_{TB}$  and  $R_{delay}$  samples the auxiliary winding voltage which, during the GaN off-time, is representative of the output voltage.

Since in steady-state the output voltage is constant, and  $R_{TB}$  value has already been selected to get the desired dynamic blanking time,  $R_{delay}$  can now be chosen to set the TB pin sampled voltage to the value corresponding to the desired turn-on delay, according to Figure 20.

**Figure 20. Typical Turn-on delay after triggering as function of the voltage on TB pin.**


The required delay to exactly synchronize the Turn-On at the valley,  $T_{DELAY}$ , can be calculated as below:

**Equation 7**

(7)

$$T_{DELAY} = T_{VALLEY} - T_{ZCD-DELAY}$$

In the equation  $T_{ZCD-DELAY}$  represents the delay between the demagnetization time and the instant of time in which the ZCD voltage crosses the triggering threshold  $V_{ZCDT}$ : this delay is in the range of few tens ns up to hundred ns but can be easily experimentally measured during converter's operation.

The value of  $V_{TB}$  can be directly read from the curve also.

Once  $V_{TB}$  voltage is known, the value of the resistor can be easily derived:

**Equation 8**

(8)

$$R_{delay} = \frac{R_{TB}}{\frac{N_{AUX}}{N_{SEC}} \cdot \frac{V_{OUT}}{V_{TB}} - 1}$$

The resistor  $R_{TB}$  can be calculated as reported in Dynamic blanking time.

The  $T_{DELAY}$  is set to the default value when  $R_{delay}$  is lower than:

**Equation 9**

(9)

$$R_{delay - default} < \frac{R_{TB}}{\frac{N_{AUX}}{N_{SEC}} \cdot \frac{V_{OUT}}{V_{D-ON(MIN)}} - 1}$$

Dynamic blanking time and valley synchronization functions can be disabled connecting TB to GND.

The decision if the function is used or not is taken at power-up: before the pin  $V_{DD}$  reaches the  $V_{DD-ON}$  threshold, the current  $I_{TB-DIS}$  (200  $\mu$ A typ.) is sourced from the pin. If the TB pin voltage is below the  $V_{TB-DIS}$  threshold (100 mV typ.), the pin is assumed to be connected to GND, the related circuitry is disabled, and the information is latched until the next power-on.

Please note that to ensure a correct check of the disabling function, the resistor  $R_{delay}$  cannot be lower than:

**Equation 10**

(8)

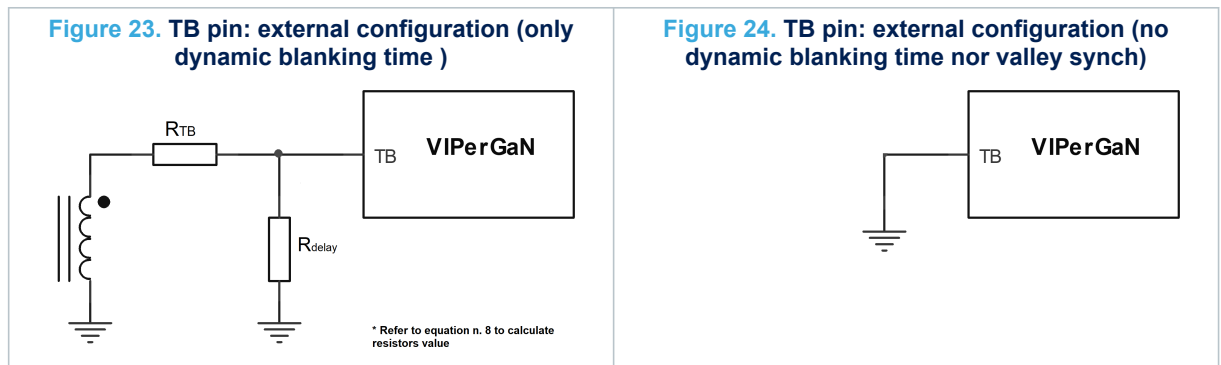
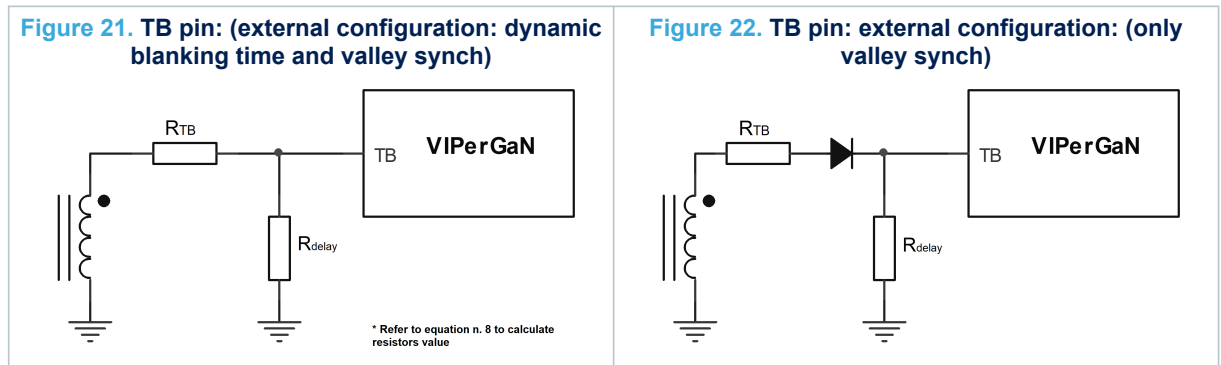
$$R_{delay\_min} < \frac{V_{TB-DIS(max)}}{I_{TB-DIS(max)}}$$

## 5.9 TB pin configuration

The pin TB can be easily configured in different combinations, as reported in Table 6 and in Figure 21, Figure 22, Figure 23, Figure 24.

**Table 6. TB pin matrix configuration**

Dynamic Blanking Time	Valley Synchronization	Schematic Configuration
Yes	Yes	Figure 21
No	Yes	Figure 22
Yes	No	Figure 22
No	No	Figure 24



## 5.10 Overload and short-circuit protection

To manage an overload or a short-circuit condition, an internal up-down counter is incremented or decremented with an internal clock, if the FB pin voltage is, respectively, above or below the upper saturation limit  $V_{FBH}$ .

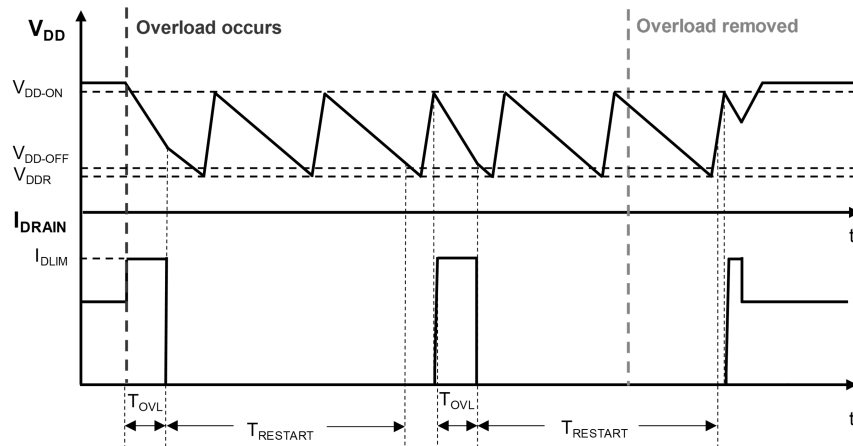
If the overload/short-circuit event persists for a time greater than  $T_{OVL}$  (50 ms typical value), the switching is inhibited and  $V_{DD}$  is recycled between  $V_{DD-RESTART}$  and  $V_{DD-ON}$  by the periodical activation of the HV current source. After  $T_{RESTART}$  from protection tripping, the IC restarts switching with soft-start as soon as  $V_{DD}$  is recharged to  $V_{DD-ON}$ . After soft-start (during which the overload counter is disabled), if overload is still present, the switching activity is disabled again as previously described, otherwise it resumes normal operation. If the overload/short-circuit event persists for a time smaller than  $T_{OVL}$ , the counter is decremented cycle-by-cycle down to zero and the IC is not stopped.

This fault management ensures low repetition rate restart attempts, so that the converter works safely with extremely low power throughput and avoids the IC overheating in case of repeated overload events, and a prompt resumption of normal operation at fault removal.

In case of transformer saturation, short-circuit of secondary side rectifier or deep CCM, a further protection feature named OCP\_LEB is embedded: if, for two consecutive switching cycles, the drain current exceeds  $I_{OCP\_LEB}$  at the end of LEB time, the VIPERGAN65W is shut down for  $T_{SD-REST}$  and performs a new startup as  $V_{DD}$  recycles to  $V_{DD-ON}$ .

In case of  $V_{DD}$  clamp activation with a current sunk from the pin higher than  $I_{DD-CL}$  (26 mA typ.) and for a time duration higher than  $T_{DD-CL}$  (100 us typ.), the IC is shut down then restart after  $V_{DD}$  recycling.

**Figure 25. Timing diagram of OLP protection**



## 5.11 Output overvoltage protection

The voltage on the ZCD pin is monitored at the end of the transformer's demagnetization, where the auxiliary winding accurately tracks the converter output voltage and compares with an internal reference.

If the sampled voltage exceeds the OVP threshold  $V_{OVP}$  (2.5 V typ.), an overvoltage condition is assumed.

With reference to the external configuration of Figure 1, once  $R_{OPP}$  is fixed by feed-forward considerations (see relevant section), it is possible to calculate the value of the  $R_{OVP}$  resistor to activate the OVP protection for a certain output voltage level,  $V_{OUT-OVP}$ .

**Equation 11**

$$R_{OVP} = \frac{V_{OVP}}{\frac{N_{AUX}}{N_{SEC}} \cdot V_{OUT-OVP} - V_{OVP}} \cdot R_{OPP} \quad (11)$$

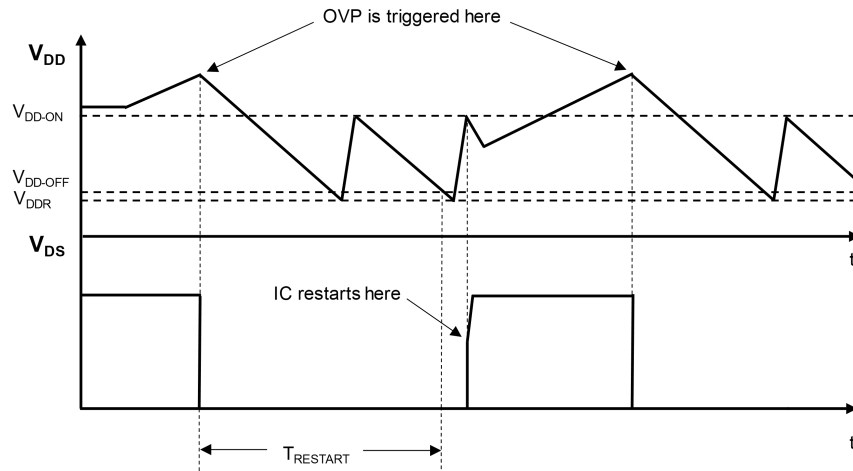
To reduce sensitivity to external noise and prevent the protection from being erroneously activated, the OVP comparator must be triggered for four consecutive oscillator cycles before the device is stopped.

A counter, which is reset every time the OVP comparator is not triggered in one oscillator cycle, is provided for this purpose.

Best accuracy of OVP protection is achieved when demagnetization time is longer than 2  $\mu$ s.

Once the protection is tripped, the switching is inhibited for  $T_{RESTART}$  and  $V_{DD}$  is recycled between  $V_{DD-RESTART}$  and  $V_{DD-ON}$  by the periodical activation of the HV current source. At the end of  $T_{RESTART}$ , switching is enabled with soft-start at the first  $V_{DD}$  recharge to  $V_{DD-ON}$ . If overvoltage is still present, the protection is invoked again in the same way, resulting in a low-frequency intermittent operation, which increases the end-product's safety and reliability; otherwise, the IC resumes normal operation.

The OVP protection timing diagrams are shown in .

**Figure 26. OVP timing diagram**


## 5.12 Input OVP protection

The input overvoltage protection is intended to protect the converter in case of overvoltage on the main line, which can cause exceeding of the GaN's breakdown voltage. It can be easily realized connecting iOVP to the voltage to be monitored (usually the DC rectified input mains) through a voltage divider.

When the iOVP pin voltage exceeds the internal threshold  $V_{iOVP\_th}$  (5 V typ.), for a time greater than  $T_{iOVP}$  (250  $\mu$ s typ.), the IC is shut down, while  $V_{DD}$  is recycled between  $V_{DD-RESTART}$  and  $V_{DD-ON}$  by the periodical activation of the internal HV current source. Switching is resumed when  $V_{iOVP}$  falls below  $V_{iOVP\_th}$ .

The delay time  $T_{iOVP}$  is intended to filter out possible disturbances that may be coupled during operations: it is implemented through an up/down counter which is incremented when  $V_{iOVP}$  exceeds  $V_{iOVP\_th}$  and decremented otherwise, on a cycle-by-cycle base. In this way, temporary disturbances can be distinguished from a real overvoltage, with great advantage to the operative continuity.

Regarding the setting, different configurations are possible, depending on whether brown-in/brown-out protection (described in the following section) is also implemented or not, as shown in Table 1 and Figure 1.

The resistors of the voltage divider are calculated through equations Eq. 12 and Eq. 13. The function can be disabled connecting iOVP to BR.

## 5.13 Brown-In and Brown-Out protection

The brown-in protection is used to define the minimum input voltage from which the converter starts operating. Similarly, the brown-out protection defines the minimum input voltage below which the converter stops operating.

There are several reasons why it may be desirable to disable the converter below a certain input voltage range. Firstly, a very low input voltage may cause overheating of the primary power section due to an excess of RMS current. Secondly, spurious restarts may occur during converter power-down, which causes the output voltage not to decay to zero monotonically.

At power-up, as  $V_{IN} > V_{START}$ , the internal HV-current source is activated, and the capacitor connected to  $V_{DD}$  is charged to  $V_{DD-ON}$ . During this charging phase, the current  $I_{BR-DIS} = 15 \mu$ A is sourced from BR, while  $V_{BR}$  is monitored.

If  $V_{BR} < V_{BR-DIS}$  (100 mV, typ.), BR is assumed to be connected to GND, the related circuitry is disabled, the information is latched until the next power-on, and the IC is allowed to start up.

If  $V_{BR} > V_{BR-DIS}$ , the BR block is enabled and the information is latched until the next power-on, but the device is allowed to switch only if  $V_{BR}$  exceeds the brown-in internal threshold  $V_{BR-IN}$  (0.5 V typ.).

After the IC has entered normal operation: if  $V_{BR}$  falls below the brown-out internal threshold,  $V_{BR-OUT}$  (0.4 V typ.)

for more than the brown-out delay time,  $T_{BR-OUT}$  (30 msec, typ.), brown-out protection is triggered, which stops the switching, while  $V_{DD}$  is recycled between  $V_{DD-RESTART}$  and  $V_{DD-ON}$  by the periodical activation of the HVcurrent source.

After the IC has been stopped by brown-out: if  $V_{BR}$  exceeds  $V_{BR-IN}$  for more than the brown-in delay time,  $T_{BR-IN}$

(250 usec, typ.), brown-in is triggered and the IC resumes switching.

To reject temporary disturbances across the line, the delay times are implemented through up/down counters.  $T_{BR-OUT}$  is also intended to avoid false protection triggerings due to the input capacitor voltage ripple and to guarantee some hold-up in case of a missing cycle of the input line.

Input OVP, brown-in and brown-out conditions can be set connecting a voltage divider across the rectified input mains,  $i_{OVP}$ , BR, and GND and selecting the resistor values according to the equations below:

**Equation 12**

(12)

$$R_{iOVP} = R_{HV} \cdot \left( \frac{V_{iOVP\_th}}{V_{IN-OVP}} - \frac{V_{BR-IN}}{V_{IN-ON}} \right)$$

**Equation 13**

(13)

$$R_{BR} = R_{HV} \cdot \frac{V_{BR-IN}}{V_{IN-ON} - V_{BR-IN}}$$

In the above formulas,  $V_{IN-ON}$  and  $V_{IN-OVP}$  are the DC input voltages which trigger brown-in and input overvoltage protection respectively.

The resistor  $R_{HV}$  is used to start up the converter and also as part of the voltage divider, once HV and  $i_{OVP}$  are connected together. Its value is arbitrarily selected, with the recommendation to be few tens M $\Omega$  at least to minimize the residual consumptions from the input mains.

It is worth noting that the thresholds  $V_{IN-ON}$  and  $V_{IN-OFF}$  (the input voltage values triggering brown-in and brown-out respectively) cannot be set independently but are linked to each other. The DC bus voltage value that turns off the device is thus calculated with the following equation.

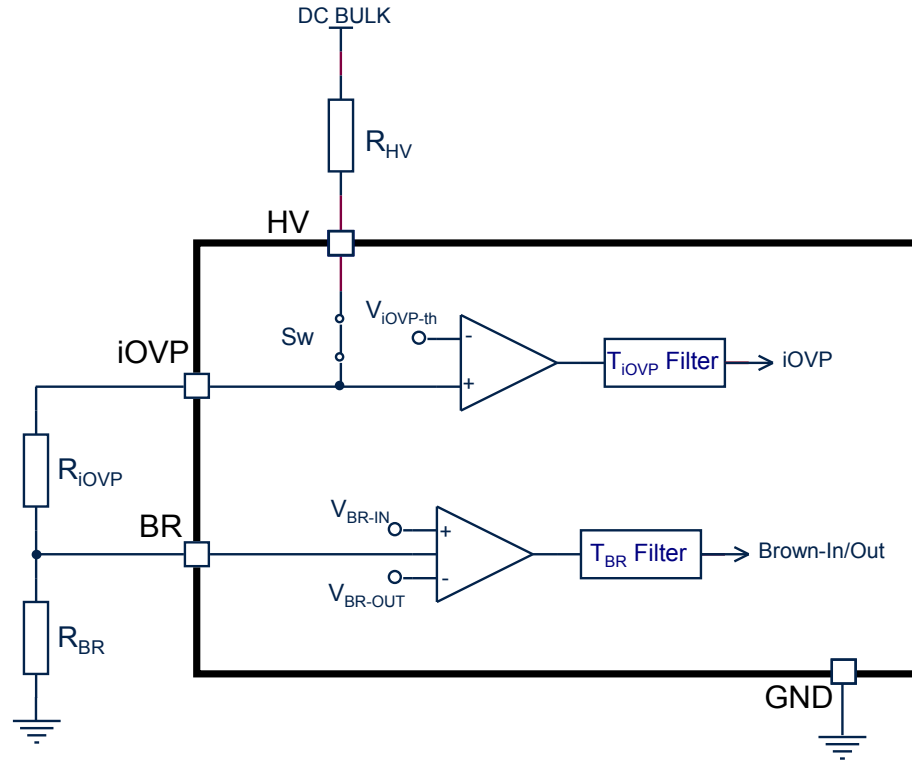
**Equation 14**

(14)

$$V_{IN-OFF} = V_{IN-ON} \cdot \frac{V_{BR-OUT}}{V_{BR-IN}}$$

A 10 nF filter capacitor placed between BR pin and GND is necessary to avoid misbehavior of the brown-out logic when a high voltage start-up unit is activated.

The brown-in/out function can be disabled connecting BR to GND.

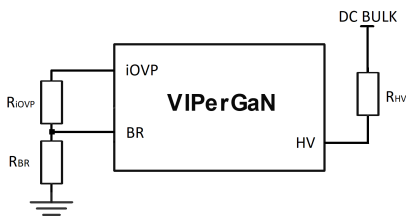
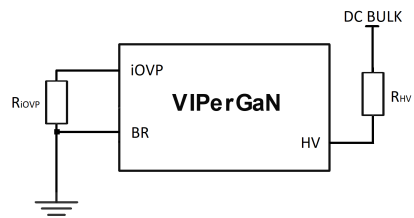
**Figure 27. Brown-in/out and input OVP: internal schematic**


## 5.14 Configure Brown-In/Out and OVP protection

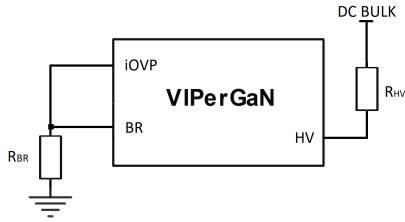
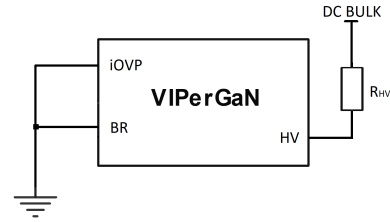
The pins iOVP and BR can be easily configured in different combinations, as reported in Table 7.

**Table 7. Brown-in/out and OVP matrix configuration**

iOVP Protection	Brown-In/Out	Schematic Configuration
Yes	Yes	Figure 28
Yes	No	Figure 29
No	Yes	Figure 30
No	No	Figure 31

**Figure 28. Brown-In/Out and input OVP: external configuration (Input OVP and BR)**

**Figure 29. Brown-In/Out and input OVP: external configuration (Only input OVP)**




**Figure 30. Brown-In/Out and input OVP: external configuration (Only BR)**

**Figure 31. Brown-In/Out and input OVP: external configuration (No input iOVP nor BR)**


### 5.15 Frequency jittering for EMI reduction

Although the VIPERGAN65W works in QR mode and the switching frequency is already modulated at twice the mains frequency, it implements a proprietary frequency jitter technique to further reduce EMI. This technique is based on the injection, on the current sense signal, of a square waveform at 10 kHz (above the feedback loop bandwidth) with 50 % duty cycle which modulates the amplitude of the peak primary current. The percentage of this amplitude modulation is set as a default at 5 %. As the peak current reduces with decreasing load levels, the effect automatically attenuates at lower loads, where the energy of EMI noise is highly reduced.

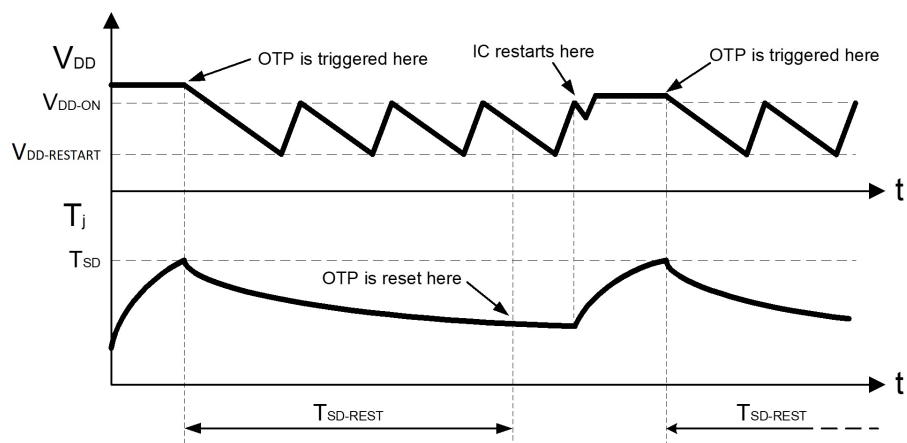
### 5.16 Thermal shutdown protection

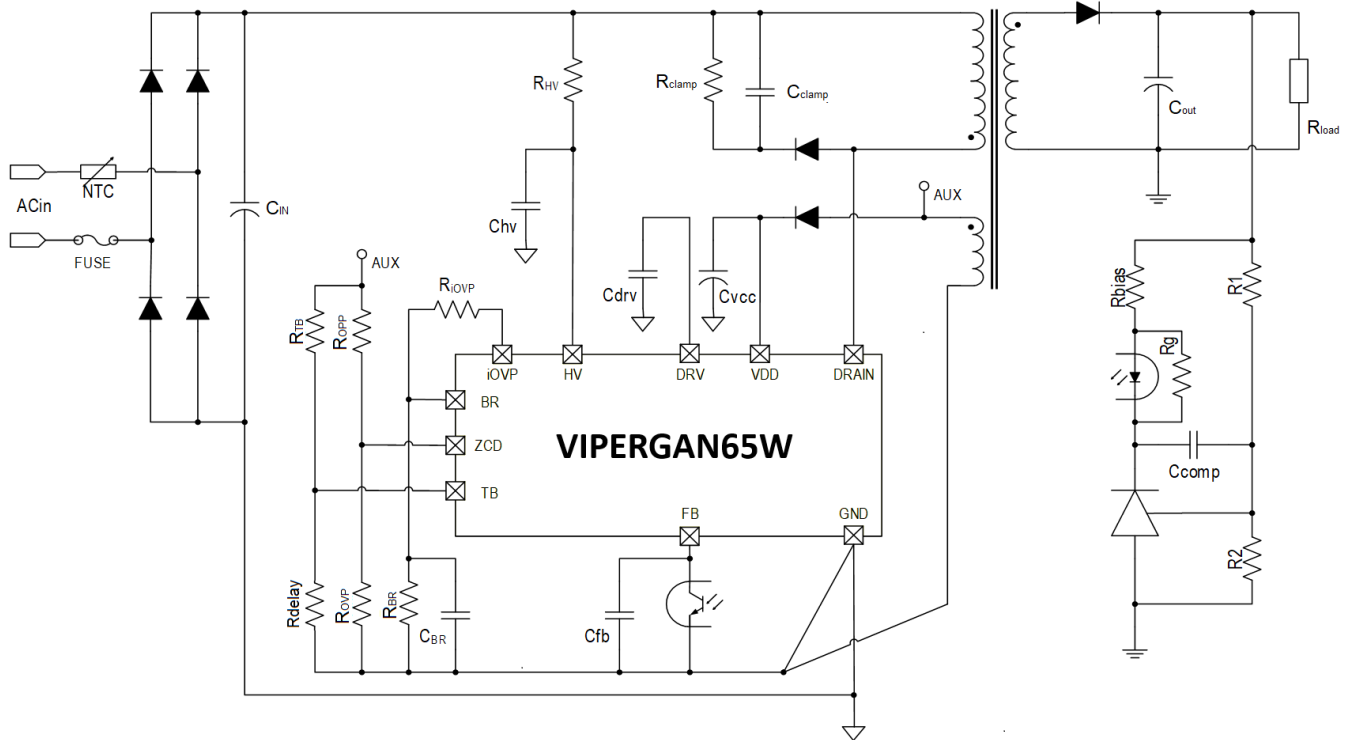
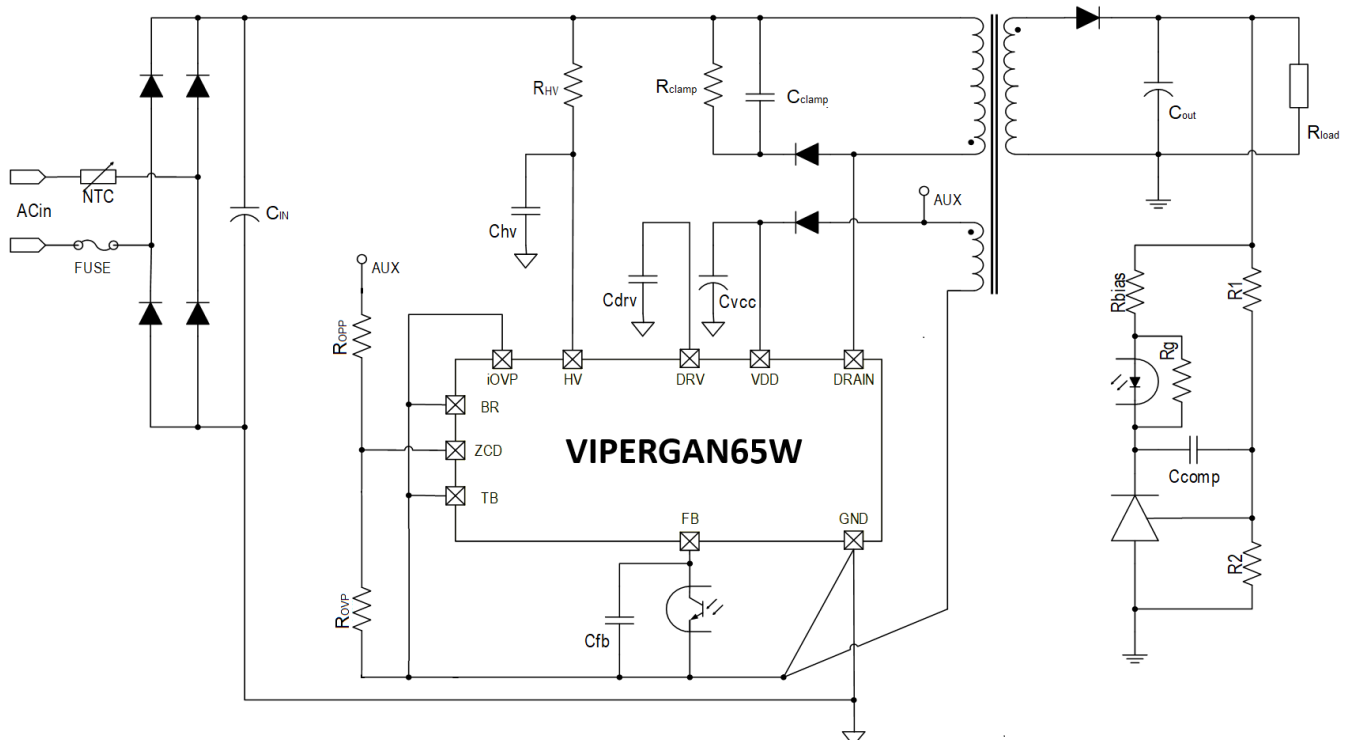
When the controller temperature exceeds the shutdown threshold,  $T_{SD}$  (140 °C typ.) the device is shut down and maintained off for the time  $T_{SD-REST}$  (2 s typ.) to prevent any dangerous overheating of the system and the  $V_{DD}$  pin is continuously recycled between  $V_{DD-ON}$  and  $V_{DD-OFF}$  to keep the controller alive. During this time the IC consumption is reduced to  $I_{DD-FAULT}$  to further minimize the HV start-up losses.

After  $T_{SD-REST}$ , the IC restarts as  $V_{DD}$  reaches  $V_{DD-ON}$ .

Please note that the thermal sensor is embedded into the controller chip and the power GAN chip may have a higher temperature.

The OTP timing diagram is shown in Figure 32.

**Figure 32. OTP timing diagram**


**6 Typical schematics**
**Figure 33. Typical configuration: full features**

**Figure 34. Typical configuration: basic features**


## 7 Layout guidelines and design recommendations

A proper printed circuit board layout is essential for correct operation of any switch-mode converter and this is also true for the VIPERGAN65W. The main reasons for having a proper PCB layout are to:

- Provide clean signals to the IC, ensuring good immunity against external noises and switching noises
- Reduce the electromagnetic interferences, both radiated and conducted, to pass more easily the EMC

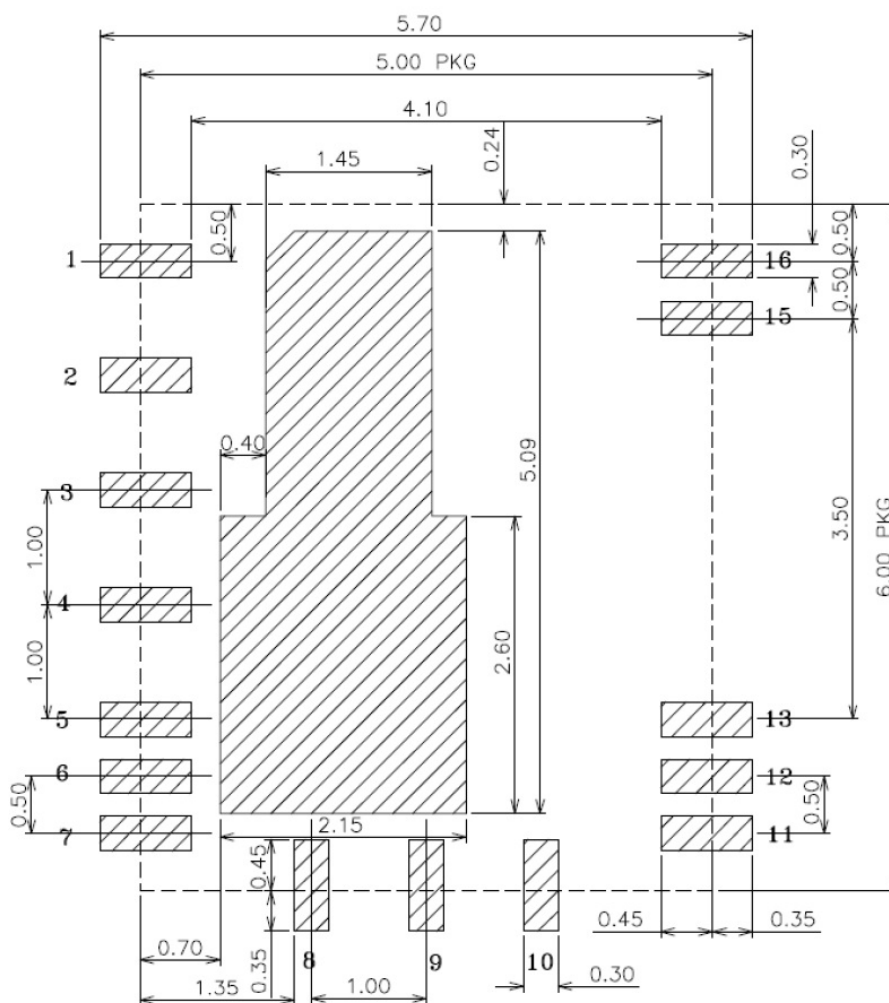
When designing an SMPS using VIPerGaN, the following basic rules should be considered:

- **Separating signal from power tracks:** generally, traces carrying signal currents should run far from those carrying pulsed currents or with quickly swinging voltages. Signal ground traces should be routed separately from the power ground traces then connected one to the other using a single “star point”, placed close to the IC.
- The compensation network should be connected to the FB pin, maintaining the trace to GND as short as possible. In case of a two-layer PCB, it is a good practice to route signal traces on one PCB side and power traces on the other side.
- **Filtering sensitive pins:** some crucial points of the circuit need or may need filtering. A small high frequency bypass capacitor to GND might be useful to get a clean bias voltage for the signal part of the IC and protect the IC itself during EFT/ESD tests. A low ESL ceramic capacitor (a few hundreds pF up to 0.1  $\mu$ F) should be connected across VDD and GND, placed as close as possible to the IC. With flyback topologies, when the auxiliary winding is used, it is suggested to connect the VDD capacitor on the auxiliary return and then to the main GND using a single track. A small 10 nF capacitance is also required between BR and GND to filter the noise in this high impedance path.
- **Keep power loops as confined as possible:** minimize the area circumscribed by current loops where high pulsed currents flow, in order to reduce its parasitic self-inductance and the radiated electromagnetic field: this greatly reduces the electromagnetic interferences produced by the power supply during the switching. In a flyback converter the most critical loops are the one including the input bulk capacitor, the power switch, the power transformer, the one including the snubber, the one including the secondary winding, the output rectifier, and the output capacitor.
- **Reduce line lengths:** any wire acts as an antenna. With the very short rise times exhibited by EFT pulses, any antenna has the capability of receiving high voltage spikes. By reducing line lengths, the level of radiated energy that is received is reduced, and the resulting spikes from electrostatic discharges are lower. This also keeps both resistive and inductive effects to a minimum. In particular, all of the traces carrying high currents, especially if pulsed (tracks of the power loops) should be as short and fat as possible. It is a good practice to minimize also the areas circumscribed by the paths from TB to GND and from BR to GND, to ensure good immunity against EFT tests.
- **Optimize track routing:** as levels of pickup from static discharges are likely to be greater closer to the extremities of the board, it is wise to keep any sensitive lines away from these areas. Input and output lines often need to reach the PCB edge at some stage, but they can be routed away from the edge as soon as possible where applicable. Since vias are to be considered inductive elements, it is recommended to minimize their number in the signal path and avoid them when designing the power path.
- **Improve thermal dissipation:** an adequate copper area has to be provided under the EP pad as heatsink. Since this pad is mechanically connected to the GaN substrate, which is also connected to GND, a large copper area can be used without affecting the EMC performances.



**Table 8. QFN 5x6 mechanical data**

DRAWING (mm)			
Ref.	Min.	Typ.	Max.
A	0.93	0.98	1.03
A1	0.00	-	0.05
A3		0.127 REF	
b	0.20	0.25	0.30
D	4.90	5.00	5.10
D1	See exposed pad variation		
E	5.90	6.00	6.10
E1	See exposed pad variation		
e		0.50 BSC	
e1		1.00 BSC	
L	0.30	0.40	0.50

**Figure 36. QFN 5x6 narrow package information**


## 9 Order code

**Table 9. Order code**

Order code	Package	Packing
VIPERGAN65WTR	QFN 5x6	Tape and reel

## Revision history

**Table 10. Document revision history**

Date	Version	Changes
31-Mar-2025	1	Initial release.

## Contents

<b>1</b>	<b>Pin connections and function</b>	<b>2</b>
<b>2</b>	<b>Electrical data</b>	<b>4</b>
2.1	Absolute maximum ratings	4
2.2	Thermal data	4
2.3	Typical power capability	4
<b>3</b>	<b>Electrical characteristics</b>	<b>5</b>
<b>4</b>	<b>Typical electrical characteristics</b>	<b>9</b>
<b>5</b>	<b>Application information</b>	<b>11</b>
5.1	Multi-mode operations	11
5.2	High voltage start-up generator and supply structures	11
5.3	Zero current detection and triggering block	13
5.4	Valley-lock feature	13
5.5	Constant voltage operation and burst-mode	14
5.6	Line voltage feed-forward block	15
5.7	Dynamic blanking time	16
5.8	Valley synchronization	18
5.9	TB pin configuration	20
5.10	Overload and short-circuit protection	20
5.11	Output overvoltage protection	21
5.12	Input OVP protection	22
5.13	Brown-In and Brown-Out protection	22
5.14	Configure Brown-In/Out and OVP protection	24
5.15	Frequency jittering for EMI reduction	25
5.16	Thermal shutdown protection	25
<b>6</b>	<b>Typical schematics</b>	<b>26</b>
<b>7</b>	<b>Layout guidelines and design recommendations</b>	<b>27</b>
<b>8</b>	<b>Package information</b>	<b>28</b>
<b>9</b>	<b>Order code</b>	<b>30</b>
	<b>Revision history</b>	<b>31</b>



## List of tables

<b>Table 1.</b>	Pin function . . . . .	2
<b>Table 2.</b>	Absolute maximum ratings . . . . .	4
<b>Table 3.</b>	Thermal data . . . . .	4
<b>Table 4.</b>	Typical power capability . . . . .	4
<b>Table 5.</b>	Electrical characteristics . . . . .	5
<b>Table 6.</b>	TB pin matrix configuration . . . . .	20
<b>Table 7.</b>	Brown-in/out and OVP matrix configuration . . . . .	24
<b>Table 8.</b>	QFN 5x6 mechanical data . . . . .	29
<b>Table 9.</b>	Order code . . . . .	30
<b>Table 10.</b>	Document revision history . . . . .	31

## List of figures

<b>Figure 1.</b>	Typical application. . . . .	1
<b>Figure 2.</b>	Connection diagram (top view) . . . . .	2
<b>Figure 3.</b>	Typ. $I_{DLIM}$ vs. $T_J$ . . . . .	9
<b>Figure 4.</b>	$V_{START}$ vs. $T_J$ @10 M $\Omega$ and 20 M $\Omega$ . . . . .	9
<b>Figure 5.</b>	Typ. $R_{DS(ON)HS}$ . . . . .	9
<b>Figure 6.</b>	Typ. $R_{DS(ON)HS}$ vs. $T_J$ . . . . .	9
<b>Figure 7.</b>	Typ. $I_D$ vs. $V_{DS}$ . . . . .	10
<b>Figure 8.</b>	Typ. $C_{OSS}$ vs. $V_{DS}$ . . . . .	10
<b>Figure 9.</b>	Typ. $E_{OSS}$ vs. $V_{DS}$ . . . . .	10
<b>Figure 10.</b>	Multi-mode operation of VIPERGAN65W . . . . .	11
<b>Figure 11.</b>	High voltage start-up generator: internal schematic and pin configuration . . . . .	12
<b>Figure 12.</b>	Frequency limits and modes of operations . . . . .	13
<b>Figure 13.</b>	Constant output voltage control principle: internal schematic and pin configuration . . . . .	14
<b>Figure 14.</b>	Burst-mode operation . . . . .	15
<b>Figure 15.</b>	Feed-forward compensation: simplified internal schematic and pin configuration . . . . .	15
<b>Figure 16.</b>	Typical power capability variation vs. input voltage in QR flyback . . . . .	16
<b>Figure 17.</b>	Dynamic blanking time: internal schematic and pin configuration . . . . .	17
<b>Figure 18.</b>	Typical normalized switching frequency variation over input voltage range . . . . .	17
<b>Figure 19.</b>	Blanking time variation vs. FB voltage with dynamical Blanking time active. . . . .	18
<b>Figure 20.</b>	Typical Turn-on delay after triggering as function of the voltage on TB pin. . . . .	19
<b>Figure 21.</b>	TB pin: (external configuration: dynamic blanking time and valley synch) . . . . .	20
<b>Figure 22.</b>	TB pin: external configuration: (only valley synch) . . . . .	20
<b>Figure 23.</b>	TB pin: external configuration (only dynamic blanking time) . . . . .	20
<b>Figure 24.</b>	TB pin: external configuration (no dynamic blanking time nor valley synch). . . . .	20
<b>Figure 25.</b>	Timing diagram of OLP protection . . . . .	21
<b>Figure 26.</b>	OVP timing diagram . . . . .	22
<b>Figure 27.</b>	Brown-in/out and input OVP: internal schematic . . . . .	24
<b>Figure 28.</b>	Brown-In/Out and input OVP: external configuration (Input OVP and BR) . . . . .	24
<b>Figure 29.</b>	Brown-In/Out and input OVP: external configuration (Only input OVP) . . . . .	24
<b>Figure 30.</b>	Brown-In/Out and input OVP: external configuration (Only BR) . . . . .	25
<b>Figure 31.</b>	Brown-In/Out and input OVP: external configuration (No input iOVP nor BR) . . . . .	25
<b>Figure 32.</b>	OTP timing diagram . . . . .	25
<b>Figure 33.</b>	Typical configuration: full features . . . . .	26
<b>Figure 34.</b>	Typical configuration: basic features . . . . .	26
<b>Figure 35.</b>	QFN 5x6 narrow package information . . . . .	28
<b>Figure 36.</b>	QFN 5x6 narrow package information . . . . .	29

**IMPORTANT NOTICE – READ CAREFULLY**

STMicroelectronics NV and its subsidiaries (“ST”) reserve the right to make changes, corrections, enhancements, modifications, and improvements to ST products and/or to this document at any time without notice. Purchasers should obtain the latest relevant information on ST products before placing orders. ST products are sold pursuant to ST’s terms and conditions of sale in place at the time of order acknowledgment.

Purchasers are solely responsible for the choice, selection, and use of ST products and ST assumes no liability for application assistance or the design of purchasers’ products.

No license, express or implied, to any intellectual property right is granted by ST herein.

Resale of ST products with provisions different from the information set forth herein shall void any warranty granted by ST for such product.

ST and the ST logo are trademarks of ST. For additional information about ST trademarks, refer to [www.st.com/trademarks](http://www.st.com/trademarks). All other product or service names are the property of their respective owners.

Information in this document supersedes and replaces information previously supplied in any prior versions of this document.

© 2025 STMicroelectronics – All rights reserved