

---

## Adding the analog dimming to EVL6564H-25W-BB.

---

By Federico Levati

Main components	
EVL6564H-25W-BB	25 W wide-range high power factor buck-boost converter demonstration board using the L6564H

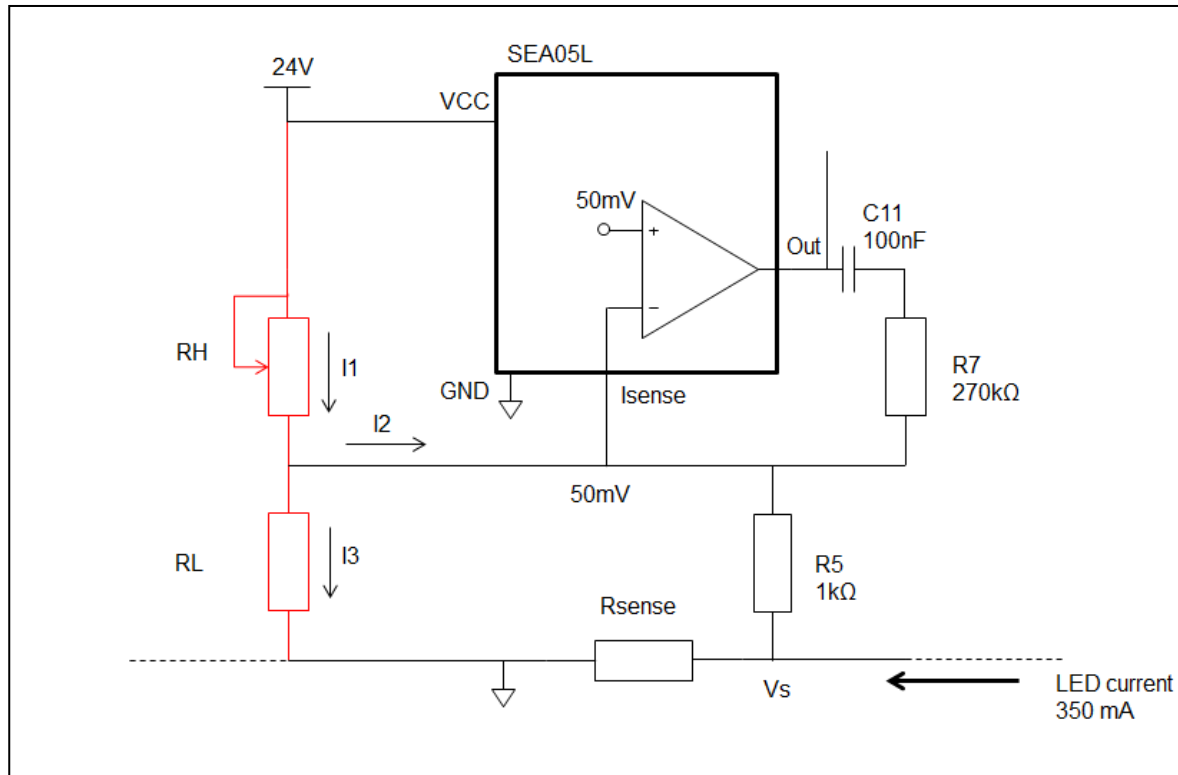
### Purpose and benefits

The purpose is to increase the performance of the ST LED driver EVL6564H-25W-BB: If the dimming function is required, there is a simple way to modify the LED current acting on a trimmer or an added divider.  
The benefit is an analog dimming of the LED light in to the range 25% to 100%.

### Description

Referring to the electrical schematic of AN4314 the current loop is controlled by the internal comparator of the SEA05L, the internal reference is 50mV and, externally, the inverting pin of the current loop op-amp is connected to the sense resistor ( $R7=3.3\Omega//R6=0.15\Omega$ ) through the decoupling resistor R5 (Figure 1).

Figure 1. Circuit diagram



The current loop keeps the Isense node at 50mV (see SEA05L datasheet) and since no current flows in R5, the Isense pin is at the same voltage of the Rsense node (Vs).

But if a current  $i_{ds}$  is forced in to the R5, the sum of the voltage drop on Rsense and R5 is always the same. The LED current will be reduced in order to have:

$$V_{R5} + V_S = 50mV$$

Consider, for example that no current is flowing on the R5 resistor so  $V_{R5}=0V$ , the node  $V_s=50mV$  and the LED current is calculated as:

$$I_{LED} = \frac{V_s}{R_{sense}} = \frac{50mV}{0.145\Omega} = 350mA$$

But if a current is flowing through R5, the node Vs will assume a value between few millivolts to maximum 50mV depending on the current  $I_2$  injected through the divider RL and RH. Suppose for example that  $I_2=20\mu A$ , the voltage drop on R5 is 20mV, the Vs will be 30mV and the LED current will be:

$$I_{LED} = \frac{V_s}{R_{sense}} = \frac{30mV}{0.145\Omega} = 200mA$$

With  $R_L=500\Omega$  ( $470\Omega+30\Omega$ ), and  $R_H=240k\Omega$  ( $43k\Omega + a 200k\Omega$  trimmer), the  $I_1=I_3=100\mu A$ , no current  $I_2$  is flowing on  $R_5$  and the LED current remains at its maximum level of  $350mA$ , the LED driver will work at  $25W$ .

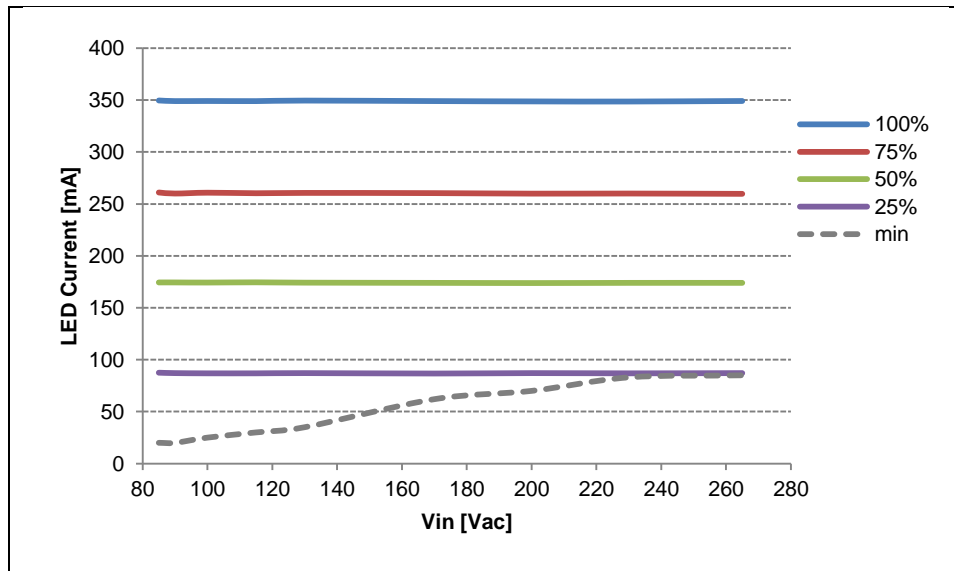
Trimming and lowering the  $200k\Omega$  resistor, the extra current  $I_2$  will modify the sense resistor voltage drop  $V_s$ , decreasing the LED current and of course the converter output power.

## Dimmed performance

Simply acting on the  $200k\Omega$  trimmer, it is possible to modify continuously the LED current, the LED light and of course the output converter power.

In Figure 2, LED current has been dimmed from 100% to 25% with a 25 % step and the control loop has been checked over all the input mains.

**Figure 2. Circuit Line regulation vs Line voltage fixing different values of LED current**



A good Line regulation has been observed at every output power level. Till 25% of the load the converter starts up properly.

Finally it has been studied the minimum current level achievable, fixing the input mains voltage. Due to the closed current loop, pin COMP of the L6564H is moving in its dynamic range proportionally with the Load sensed.

When the LED current is too low and the converter is working at very light load, the COMP pin is reaching its Burst Mode threshold switching ON and OFF the LED driver with a jittering effect of the light.

In Figure 2, the LED current, just before observing this light jittering, has been considered as the minimum dimming level achievable.

---

Due to the characteristic of the entire control loop the dashed line is slightly varying with the input mains voltage.

As conclusion, with this simple trimming method, the LED dimming can be considered effective in the range 25% to 100% load.

## Support material

Documentation
SEA05L datasheet , "Advanced constant voltage and constant current controller with very efficient LED pilot-lamp driver"
L6564H datasheet, "High voltage start-up transition-mode PFC"
AN4314: "25W wide range high power factor buck-boost converter demonstration board using the L6564H"

## Revision history

Date	Version	Changes
1-Aug-2013	1	Initial release

---

**Please Read Carefully**

Information in this document is provided solely in connection with ST products. STMicroelectronics NV and its subsidiaries ("ST") reserve the right to make changes, corrections, modifications or improvements, to this document, and the products and services described herein at anytime, without notice.

All ST products are sold pursuant to ST's terms and conditions of sale.

Purchasers are solely responsible for the choice, selection and use of the ST products and services described herein, and ST assumes no liability whatsoever relating to the choice, selection or use of the ST products and services described herein.

No license, express or implied, by estoppel or otherwise, to any intellectual property rights is granted under this document. If any part of this document refers to any third party products or services it shall not be deemed a license grant by ST for the use of such third party products or services, or any intellectual property contained therein or considered as a warranty covering the use in any manner whatsoever of such third party products or services or any intellectual property contained therein.

**UNLESS OTHERWISE SET FORTH IN ST'S TERMS AND CONDITIONS OF SALE ST DISCLAIMS ANY EXPRESS OR IMPLIED WARRANTY WITH RESPECT TO THE USE AND/OR SALE OF ST PRODUCTS INCLUDING WITHOUT LIMITATION IMPLIED WARRANTIES OF MERCHANTABILITY, FITNESS FOR A PARTICULAR PURPOSE (AND THEIR EQUIVALENTS UNDER THE LAWS OF ANY JURISDICTION), OR INFRINGEMENT OF ANY PATENT, COPYRIGHT OR OTHER INTELLECTUAL PROPERTY RIGHT.**

**ST PRODUCTS ARE NOT AUTHORIZED FOR USE IN WEAPONS. NOR ARE ST PRODUCTS DESIGNED OR AUTHORIZED FOR USE IN: (A) SAFETY CRITICAL APPLICATIONS SUCH AS LIFE SUPPORTING, ACTIVE IMPLANTED DEVICES OR SYSTEMS WITH PRODUCT FUNCTIONAL SAFETY REQUIREMENTS; (B) AERONAUTIC APPLICATIONS; (C) AUTOMOTIVE APPLICATIONS OR ENVIRONMENTS, AND/OR (D) AEROSPACE APPLICATIONS OR ENVIRONMENTS. WHERE ST PRODUCTS ARE NOT DESIGNED FOR SUCH USE, THE PURCHASER SHALL USE PRODUCTS AT PURCHASER'S SOLE RISK, EVEN IF ST HAS BEEN INFORMED IN WRITING OF SUCH USAGE, UNLESS A PRODUCT IS EXPRESSLY DESIGNATED BY ST AS BEING INTENDED FOR "AUTOMOTIVE, AUTOMOTIVE SAFETY OR MEDICAL" INDUSTRY DOMAINS ACCORDING TO ST PRODUCT DESIGN SPECIFICATIONS . PRODUCTS FORMALLY ESCC, QML OR JAN QUALIFIED ARE DEEMED SUITABLE FOR USE IN AEROSPACE BY THE CORRESPONDING GOVERNMENTAL AGENCY.**

Resale of ST products with provisions different from the statements and/or technical features set forth in this document shall immediately void any warranty granted by ST for the ST product or service described herein and shall not create or extend in any manner whatsoever, any liability of ST.

ST and the ST logo are trademarks or registered trademarks of ST in various countries.

Information in this document supersedes and replaces all information previously supplied.

The ST logo is a registered trademark of STMicroelectronics. All other names are the property of their respective owners.

© 2013 STMicroelectronics - All rights reserved

STMicroelectronics group of companies

Australia - Belgium - Brazil - Canada - China - Czech Republic - Finland - France - Germany - Hong Kong - India - Israel - Italy - Japan - Malaysia - Malta - Morocco - Philippines - Singapore - Spain - Sweden - Switzerland - United Kingdom - United States of America

[www.st.com](http://www.st.com)