

STM32WB55xx/STM32WB35Cx device errata

Applicability

This document applies to the part numbers of STM32WB55xx/STM32WB35Cx devices and the device variants as stated in this page.

It gives a summary and a description of the device errata, with respect to the device datasheet and reference manual RM0434.

Deviation of the real device behavior from the intended device behavior is considered to be a device limitation. Deviation of the description in the reference manual or the datasheet from the intended device behavior is considered to be a documentation erratum. The term “errata” applies both to limitations and documentation errata.

Table 1. Device summary

Reference	Part numbers
STM32WB55Cx	STM32WB55CC, STM32WB55CE, STM32WB55CG
STM32WB55Rx	STM32WB55RC, STM32WB55RE, STM32WB55RG
STM32WB55Vx	STM32WB55VC, STM32WB55VE, STM32WB55VG
STM32WB35Cx	STM32WB35CC, STM32WB35CE

Table 2. Device variants

Reference	Silicon revision codes	
	Device marking ⁽¹⁾	REV_ID ⁽²⁾
STM32WB55Cx/Rx/Vx	Y	0x2001
STM32WB35Cx	A	0x2001

1. Refer to the device datasheet for how to identify this code on different types of package.

2. REV_ID[15:0] bitfield of DBGMCU_IDCODE register.

1 Summary of device errata

The following table gives a quick reference to the STM32WB55xx/STM32WB35Cx device limitations and their status:

A = limitation present, workaround available

N = limitation present, no workaround available

P = limitation present, partial workaround available

“-” = limitation absent

Applicability of a workaround may depend on specific conditions of target application. Adoption of a workaround may cause restrictions to target application. Workaround for a limitation is deemed partial if it only reduces the rate of occurrence and/or consequences of the limitation, or if it is fully effective for only a subset of instances on the device or in only a subset of operating modes, of the function concerned.

Table 3. Summary of device limitations

Function	Section	Limitation	Status	
			STM32WB55Cx/Rx/Vx Rev. Y	STM32WB35Cx Rev. A
Core	2.1.1	Interrupted loads to SP can cause erroneous behavior	A	A
	2.1.2	VDIV or VSQRT instructions might not complete correctly when very short ISRs are used	A	A
	2.1.3	Store immediate overlapping exception return operation might vector to incorrect interrupt	A	A
System	2.2.1	LSI2 not usable as RF low-power clock	P	P
	2.2.2	Unstable LSI1 when it clocks RTC or CSS on LSE	P	P
	2.2.3	Internal voltage reference corrupted upon Stop mode entry with temperature sensing enabled	A	A
	2.2.4	Full JTAG configuration without NJTRST pin cannot be used	A	A
	2.2.5	Auto-incrementing feature of the debug port cannot span more than 1 Kbyte	A	A
	2.2.6	PC13 signal transitions disturb LSE	N	-
	2.2.7	Wrong DMAMUX synchronization and trigger input connections to EXTI	A	A
	2.2.8	Incomplete Stop 2 mode entry after a wakeup from debug upon EXTI line 48 event	A	A
	2.2.9	Flash OPTVERR flag is always set after system reset	A	A
	2.2.10	Overwriting with all zeros a Flash memory location previously programmed with all ones fails	N	N
	2.2.11	WLCSP100 RF BLE overconsumption	N	-
	2.2.12	WLCSP100 noise coupling in LDO configuration at specific conditions	P	-

Function	Section	Limitation	Status	
			STM32WB55Cx/Rx/Vx Rev. Y	STM32WB35Cx Rev. A
System	2.2.13	FLASH_ECCR corrupted upon reset or power-down occurring during Flash memory program or erase operation	A	A
	2.2.14	A system reset occurs when nRST_SHDW is set and nRST_STDBY is cleared and Shutdown mode is entered	A	A
	2.2.15	PH3 signal transitions disturb LSE	N	N
	2.2.16	WLCSP100 PA2 signal transitions disturb LSE	N	-
	2.2.17	Incorrect exit from Stop modes when the DBGMCU/DBG_STOP is enabled	A	A
	2.2.18	HSE is switched on immediately on Stop 2 exit, causing an undesired over-consumption	N	N
	2.2.19	When VDD exceeds 2.5V in LDO configuration a glitch on HSE may create a hard fault on M4/M0	A	-
	2.2.20	WLCSP100 when SMPS is in bypass mode a glitch on HSE create a hard fault on M4/M0	N	-
	2.2.21	SMPS functional only with Stop 0 mode and Run mode	A	A
DMA	2.3.1	DMA disable failure and error flag omission upon simultaneous transfer error and global flag clear	A	A
DMAMUX	2.4.1	SOFx not asserted when writing into DMAMUX_CFR register	N	N
	2.4.2	OFx not asserted for trigger event coinciding with last DMAMUX request	N	N
	2.4.3	OFx not asserted when writing into DMAMUX_RGCFR register	N	N
	2.4.4	Wrong input DMA request routed upon specific DMAMUX_CxCR register write coinciding with synchronization event	A	A
QUADSPI	2.5.1	First nibble of data not written after dummy phase	A	A
	2.5.2	Wrong data from memory-mapped read after an indirect mode operation	A	A
	2.5.3	Memory-mapped read operations may fail when timeout counter is enabled	P	P
	2.5.4	Memory-mapped access in indirect mode clearing QUADSPI_AR register	P	P
ADC	2.6.1	Wrong ADC result if conversion done late after calibration or previous conversion	A	A
	2.6.2	Selected external ADC inputs unduly clamped to VDD when all analog peripherals are disabled	A	A
TSC	2.7.1	TSC signal-to-noise concern under specific conditions	A	-
TIM	2.8.1	One-pulse mode trigger not detected in master-slave reset + trigger configuration	P	P
	2.8.2	Consecutive compare event missed in specific conditions	N	N
	2.8.3	Output compare clear not working with external counter reset	P	P
LPTIM	2.9.1	Device may remain stuck in LPTIM interrupt when entering Stop mode	A	A

Function	Section	Limitation	Status	
			STM32WB55Cx/Rx/Vx Rev. Y	STM32WB35Cx Rev. A
LPTIM	2.9.2	Device may remain stuck in LPTIM interrupt when clearing event flag	P	P
RTC and TAMP	2.10.1	RTC interrupt can be masked by another RTC interrupt	A	A
	2.10.2	Calendar initialization may fail in case of consecutive INIT mode entry	A	A
	2.10.3	Alarm flag may be repeatedly set when the core is stopped in debug	N	N
I2C	2.11.1	Wrong data sampling when data setup time (t _{SU;DAT}) is shorter than one I2C kernel clock period	P	P
	2.11.2	Spurious bus error detection in master mode	A	A
	2.11.3	Spurious master transfer upon own slave address match	P	P
	2.11.5	OVR flag not set in underrun condition	N	N
	2.11.6	Transmission stalled after first byte transfer	A	A
USART	2.12.1	Anticipated end-of-transmission signaling in SPI slave mode	A	A
	2.12.2	Data corruption due to noisy receive line	N	N
SPI	2.13.1	BSY bit may stay high when SPI is disabled	A	A
	2.13.2	BSY bit may stay high at the end of data transfer in slave mode	A	A
	2.13.3	Wrong CRC in full-duplex mode handled by DMA with imbalanced setting of data counters	A	A
USB	2.14.2	ESOF interrupt timing desynchronized after resume signaling	A	A
	2.14.3	Incorrect CRC16 in the memory buffer	N	N
	2.14.4	Device not responding to USB messages to its endpoint 0xF	N	N

The following table gives a quick reference to the documentation errata.

Table 4. Summary of device documentation errata

Function	Section	Documentation erratum
I2C	2.11.4	START bit is cleared upon setting ADDRCONF, not upon address match
USB	2.14.1	Possible packet memory overrun/underrun at low APB frequency

2 Description of device errata

The following sections describe limitations of the applicable devices with Arm® core and provide workarounds if available. They are grouped by device functions.

Note: Arm is a registered trademark of Arm Limited (or its subsidiaries) in the US and/or elsewhere.



2.1 Core

Reference manual and errata notice for the Arm® Cortex®-M4 FPU core revision r0p1 is available from <http://infocenter.arm.com>.

2.1.1 Interrupted loads to SP can cause erroneous behavior

This limitation is registered under Arm ID number 752770 and classified into “Category B”. Its impact to the device is minor.

Description

If an interrupt occurs during the data-phase of a single word load to the stack-pointer (SP/R13), erroneous behavior can occur. In all cases, returning from the interrupt will result in the load instruction being executed an additional time. For all instructions performing an update to the base register, the base register will be erroneously updated on each execution, resulting in the stack-pointer being loaded from an incorrect memory location.

The affected instructions that can result in the load transaction being repeated are:

- LDR SP, [Rn],#imm
- LDR SP, [Rn,#imm]!
- LDR SP, [Rn,#imm]
- LDR SP, [Rn]
- LDR SP, [Rn,Rm]

The affected instructions that can result in the stack-pointer being loaded from an incorrect memory address are:

- LDR SP,[Rn],#imm
- LDR SP,[Rn,#imm]!

As compilers do not generate these particular instructions, the limitation is only likely to occur with hand-written assembly code.

Workaround

Both issues may be worked around by replacing the direct load to the stack-pointer, with an intermediate load to a general-purpose register followed by a move to the stack-pointer.

2.1.2 VDIV or VSQRT instructions might not complete correctly when very short ISRs are used

This limitation is registered under Arm ID number 776924 and classified into “Category B”. Its impact to the device is limited.

Description

The VDIV and VSQRT instructions take 14 cycles to execute. When an interrupt is taken a VDIV or VSQRT instruction is not terminated, and completes its execution while the interrupt stacking occurs. If lazy context save of floating point state is enabled then the automatic stacking of the floating point context does not occur until a floating point instruction is executed inside the interrupt service routine.

Lazy context save is enabled by default. When it is enabled, the minimum time for the first instruction in the interrupt service routine to start executing is 12 cycles. In certain timing conditions, and if there is only one or two instructions inside the interrupt service routine, then the VDIV or VSQRT instruction might not write its result to the register bank or to the FPSCR.

The failure occurs when the following condition is met:

1. The floating point unit is enabled
2. Lazy context saving is not disabled
3. A VDIV or VSQRT is executed
4. The destination register for the VDIV or VSQRT is one of s0 - s15
5. An interrupt occurs and is taken
6. The interrupt service routine being executed does not contain a floating point instruction
7. Within 14 cycles after the VDIV or VSQRT is executed, an interrupt return is executed

A minimum of 12 of these 14 cycles are utilized for the context state stacking, which leaves 2 cycles for instructions inside the interrupt service routine, or 2 wait states applied to the entire stacking sequence (which means that it is not a constant wait state for every access).

In general, this means that if the memory system inserts wait states for stack transactions (that is, external memory is used for stack data), then this erratum cannot be observed.

The effect of this erratum is that the VDIV or VSQRT instruction does not complete correctly and the register bank and FPSCR are not updated, which means that these registers hold incorrect, out of date, data.

Workaround

A workaround is only required if the floating point unit is enabled. A workaround is not required if the stack is in external memory.

There are two possible workarounds:

- Disable lazy context save of floating point state by clearing LSPEN to 0 (bit 30 of the FPCCR at address 0xE000EF34).
- Ensure that every interrupt service routine contains more than 2 instructions in addition to the exception return instruction.

2.1.3 Store immediate overlapping exception return operation might vector to incorrect interrupt

This limitation is registered under Arm ID number 838869 and classified into “Category B (rare)”. Its impact to the device is minor.

Description

The core includes a write buffer that permits execution to continue while a store is waiting on the bus. Under specific timing conditions, during an exception return while this buffer is still in use by a store instruction, a late change in selection of the next interrupt to be taken might result in there being a mismatch between the interrupt acknowledged by the interrupt controller and the vector fetched by the processor.

The failure occurs when the following condition is met:

1. The handler for interrupt A is being executed.
2. Interrupt B, of the same or lower priority than interrupt A, is pending.
3. A store with immediate offset instruction is executed to a bufferable location.
 - STR/STRH/STRB <Rt>, [<Rn>,#imm]
 - STR/STRH/STRB <Rt>, [<Rn>,#imm]!
 - STR/STRH/STRB <Rt>, [<Rn>],#imm
4. Any number of additional data-processing instructions can be executed.
5. A BX instruction is executed that causes an exception return.
6. The store data has wait states applied to it such that the data is accepted at least two cycles after the BX is executed.
 - Minimally, this is two cycles if the store and the BX instruction have no additional instructions between them.
 - The number of wait states required to observe this erratum needs to be increased by the number of cycles between the store and the interrupt service routine exit instruction.
7. Before the bus accepts the buffered store data, another interrupt C is asserted which has the same or lower priority as A, but a greater priority than B.

Example:

The processor should execute interrupt handler C, and on completion of handler C should execute the handler for B. If the conditions above are met, then this erratum results in the processor erroneously clearing the pending state of interrupt C, and then executing the handler for B twice. The first time the handler for B is executed it will be at interrupt C's priority level. If interrupt C is pending by a level-based interrupt which is cleared by C's handler then interrupt C will be pending again once the handler for B has completed and the handler for C will be executed.

As the STM32 interrupt C is level based, it eventually becomes pending again and is subsequently handled.

Workaround

For software not using the memory protection unit, this erratum can be worked around by setting DISDEFWBUF in the Auxiliary Control Register.

In all other cases, the erratum can be avoided by ensuring a DSB occurs between the store and the BX instruction. For exception handlers written in C, this can be achieved by inserting the appropriate set of intrinsics or inline assembly just before the end of the interrupt function, for example:

ARMCC:

```
...
__schedule_barrier();
__asm{DSB};
__schedule_barrier();
}
```

GCC:

```
...
__asm volatile ("dsb 0xf" ::: "memory");
}
```

2.2 System

2.2.1 LSI2 not usable as RF low-power clock

Description

The calibration mechanism and jitter peaks cause the LSI2 clock to exceed the maximum 500 ppm frequency deviation specified in the Bluetooth® Low Energy standard for low-speed clock.

Workaround

Clock the Bluetooth® peripheral using the LSE oscillator, instead of the LSI2.

2.2.2 Unstable LSI1 when it clocks RTC or CSS on LSE

Description

The LSI1 clock can become unstable (duty cycle different from 50 %) and its maximum frequency can become significantly higher than 32 kHz, when:

- LSI1 clocks the RTC, or it clocks the clock security system (CSS) on LSE (which holds when the LSECSSON bit set), and
- the V_{DD} power domain is reset while the backup domain is not reset, which happens:
 - upon exiting Shutdown mode
 - if V_{BAT} is separate from V_{DD} and V_{DD} goes off then on
 - if V_{BAT} is tied to V_{DD} (internally in the package for products not featuring the VBAT pin, or externally) and a short (< 1 ms) V_{DD} drop under V_{DD}(min) occurs

Workaround

Apply one of the following measures:

- Clock the RTC with LSE or HSE/32, without using the CSS on LSE
- If LSI1 clocks the RTC or when the LSECSSON bit is set, reset the backup domain upon each V_{DD} power up (when the BORRSTF flag is set). If V_{BAT} is separate from V_{DD} , also restore the RTC configuration, backup registers and anti-tampering configuration.

2.2.3 Internal voltage reference corrupted upon Stop mode entry with temperature sensing enabled

Description

When entering Stop mode with the temperature sensor channel and the associated ADC(s) enabled, the internal voltage reference may be corrupted.

The occurrence of the corruption depends on the supply voltage and the temperature.

The corruption of the internal voltage reference may cause:

- an overvoltage in V_{CORE} domain
- an overshoot / undershoot of internal clock (LSI, HSI, MSI) frequencies
- a spurious brown-out reset

The limitation applies to Stop 1 and Stop 2 modes.

Workaround

Before entering Stop mode:

- Disable the ADC(s) using the temperature sensor signal as input, and/or
- Disable the temperature sensor channel, by clearing the CH17SEL bit of the ADCx_CCR register.

Disabling both the ADC(s) and the temperature sensor channel reduces the power consumption during Stop mode.

2.2.4 Full JTAG configuration without NJTRST pin cannot be used

Description

When using the JTAG debug port in Debug mode, the connection with the debugger is lost if the NJTRST pin (PB4) is used as a GPIO or for an alternate function other than NJTRST. Only the 4-wire JTAG port configuration is impacted.

Workaround

Use the SWD debug port instead of the full 4-wire JTAG port.

2.2.5 Auto-incrementing feature of the debug port cannot span more than 1 Kbyte

Description

The address auto-increment function of the AP2/AHB access ports is limited to 1 Kbyte of contiguous data.

Workaround

To write a contiguous chunk of data larger than 1 Kbyte to an AP2/AHB access port, split and write it in blocks not exceeding 1 Kbyte each.

2.2.6 PC13 signal transitions disturb LSE

Description

The PC13 port toggling disturbs the LSE clock.

Workaround

None.

2.2.7 Wrong DMAMUX synchronization and trigger input connections to EXTI

Description

By error, synchronization and trigger inputs of the DMAMUX peripheral are connected to interrupt output lines of the EXTI block, instead of being connected to its SYSCFG multiplexer output lines.

The EXTI interrupt lines exhibit a rising-edge transition upon each active transition (rising, falling or both) of corresponding GPIOs, as defined in the EXTI_RTSTRx and EXTI_FTSRr registers.

As a consequence, the falling active edge option of the DMAMUX synchronization and trigger inputs is unusable because falling edges on these inputs do not occur upon GPIO events but upon clearing the EXTI interrupt pending flags (by setting the corresponding PIF bits of the EXTI_PRx register).

Workaround

For the DMAMUX synchronization and trigger events to occur upon determined rising or/and falling edge of the corresponding GPIOs:

- Set the desired active edge polarities of the corresponding GPIOs through the EXTI_RTSTRx and EXTI_FTSRr registers.
- Set the active edge polarity to rising for all corresponding DMAMUX input lines, through the SPOL bits of the DMAMUX_CxCR register (for synchronization inputs) and the GPOL bits of the DMAMUX_RGxCR register (for trigger inputs).
- Ensure that EXTI interrupt pending flags corresponding to the GPIOs used for DMAMUX inputs are cleared in the EXTI interrupt service routine.

Note: This can be ensured if using the `HAL_GPIO_IrqHandler` function provided by STMicroelectronics.

2.2.8 Incomplete Stop 2 mode entry after a wakeup from debug upon EXTI line 48 event

Description

With the JTAG debugger enabled on GPIO pins and after a wakeup from debug triggered by an event on EXTI line 48 (CDBGPWRUPREQ), the device may enter in a state in which attempts to enter Stop 2 mode are not fully effective: The CPUs duly enter their respective CStop modes and are able to wake up so the software execution is not disturbed. However, the system does not transit to a low-power state and thus keeps a power consumption higher than expected.

Workaround

Before entering Stop 2 mode, mask *wakeup with interrupt request* from EXTI line 48 (CDBGPWRUPREQ) in both EXTI_IMR2 and EXTI_C2IMR2 registers.

2.2.9 Flash OPTVERR flag is always set after system reset

Description

During option byte loading, the options are read by double word with ECC. If the word and its complement are not matching, the OPTVERR flag is set.

However, the OPTVERR flag is always set after a system reset despite all option bytes being loaded and read correctly.

Workaround

After reset, clear the OPTVERR flag in FLASH_SR register.

2.2.10 Overwriting with all zeros a Flash memory location previously programmed with all ones fails

Description

Any attempt to re-program with all zeros (0x0000 0000 0000 0000) a Flash memory location previously programmed with 0xFFFF FFFF FFFF FFFF fails and the PROGERR flag of the FLASH_SR register is set.

Workaround

None.

2.2.11 WLCSP100 RF BLE overconsumption

Description

For BLE operation, the device housed in WLCSP100 package requires a specific software management that leads to RX and TX overconsumption. The following table shows the impacted parameters:

Symbol	Parameter	Conditions	Typ	Unit
I _{txmax}	TX maximum output consumption	SMPS bypass	14	mA
		SMPS on V _{FBSMPS} = 1.7 V	8.4	
I _{tx0dbm}	TX 0 dBm output consumption	SMPS bypass	9.4	
		SMPS on V _{FBSMPS} = 1.4 V	5.5	
I _{rxlo}	RX consumption	SMPS bypass	8.6	
		SMPS on V _{FBSMPS} = 1.4 V	4.9	

Workaround

None.

2.2.12 WLCSP100 noise coupling in LDO configuration at specific conditions

Description

In LDO configuration of WLCSP100 device, noise on power supply lines may negatively impact the RF (BLE and 802.15.4) interoperability when the die temperature is -20 °C or less while the V_{DD} supply voltage is 3.3 V or more.

Note: The SMPS configuration is exempt of the issue described.

Workaround

If the combination of low die temperature and high V_{DD} as indicated cannot be avoided, use SMPS configuration.

2.2.13 FLASH_ECCR corrupted upon reset or power-down occurring during Flash memory program or erase operation

Description

Reset or power-down occurring during a Flash memory location program or erase operation, followed by a read of the same memory location, may lead to a corruption of the FLASH_ECCR register content.

Workaround

Under such condition, erase the page(s) corresponding to the Flash memory location.

2.2.14 A system reset occurs when nRST_SHDW is set and nRST_STDBY is cleared and Shutdown mode is entered

Description

When the following configuration is selected:

- nRST_SHDW is set
- nRST_STDBY is cleared,

a system reset is generated when Shutdown mode is entered.

Workaround

The only valid configuration to avoid a reset after entering into Shutdown mode is the following:

- nRST_SHDW is set
- nRST_STDBY is set.

2.2.15 PH3 signal transitions disturb LSE

Description

Toggle on the PH3 port disturbs the LSE clock. The PH3 port may not be usable at the same time as LSE is used.

Workaround

None

2.2.16 WLCSP100 PA2 signal transitions disturb LSE

Description

Toggle on the PA2 port disturbs the LSE clock.

The PA2 port may not be usable at the same time as LSE is used.

This limitation concerns the WLCSP100 package.

Workaround

None.

2.2.17 Incorrect exit from Stop modes when the DBGMCU/DBG_STOP is enabled

Description

When DBG_STOP is set in the microcontroller debug unit (DBGMCU), systick is still running and can trigger the CPU to exit Stop 0, Stop 1, or Stop 2, but the system remains in low power state. The CPU therefore fetches incorrect data from the inactive Flash which will generate a hard fault.

Workaround

Disable systick before entering in Stop mode when DBG_STOP is set in DBGMCU.

2.2.18 HSE is switched on immediately on Stop 2 exit, causing an undesired over-consumption
Description

An internal undefined value present on the RCC HSE input may trigger HSE to restart immediately when Stop 2 condition ends.

Workaround

None

2.2.19 When V_{DD} exceeds 2.5V in LDO configuration a glitch on HSE may create a hard fault on M4/M0
Description

When RF activity starts, the internal RF LDOs switches on at the same time and produces an extra HSE clock cycle pulse.

The CPUs process wrong data and Bluetooth® Low Energy firmware becomes unstable.

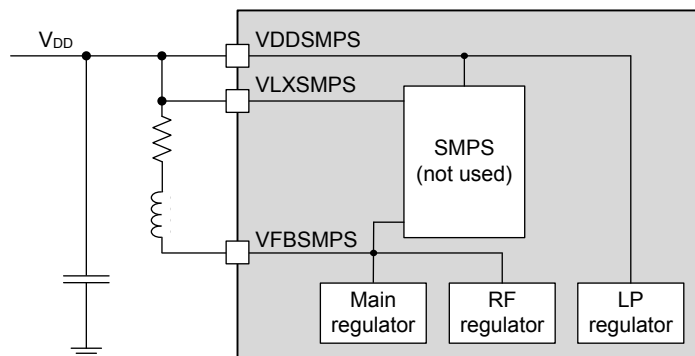
The Hard Fault can be observed in case SYSCLK=HSE. Otherwise the risk is radio malfunction since clocked from HSE directly too.

Workaround

Add a series inductance and resistor between VLXSMPS and VFBSMPS pins as illustrated in the figure.

The recommended inductor characteristics are the inductance 1.8 nH +/- 0.1 nH, self-resonance frequency of 6 Ghz +/-15 %, and rated current of 1000 mA. The resistor of 2.2 Ω recommended resistance must be dimensioned to dissipate 1 watt during 5 ns. Refer to [Minimal BOM for STM32WB Series microcontrollers \(AN5290\)](#) for more details.

Figure 1. Workaround


2.2.20 WLCSP100 when SMPS is in bypass mode a glitch on HSE create a hard fault on M4/M0
Description

When RF activity starts, the internal RF LDOs switches on at the same time and produces an extra HSE clock cycle pulse.

The CPUs process wrong data and Bluetooth® Low Energy firmware becomes unstable.

Workaround

None.

2.2.21 SMPS functional only with Stop 0 mode and Run mode
Description

In Stop 2 mode and Stop 1 mode, during the switching between SMPS and SMPS bypass modes, the SMPS may generate an unstable situation that may cause interruption of the full system.

Workaround

Use SMPS with Stop 0 mode without switching between bypass and ON, or use the LDO configuration.

2.3 DMA
2.3.1 DMA disable failure and error flag omission upon simultaneous transfer error and global flag clear
Description

Upon a data transfer error in a DMA channel x, both the specific TEIFx and the global GIFx flags are raised and the channel x is normally automatically disabled. However, if in the same clock cycle the software clears the GIFx flag (by setting the CGIFx bit of the DMA_IFCR register), the automatic channel disable fails and the TEIFx flag is not raised.

This issue does not occur with ST's HAL software that does not use and clear the GIFx flag when the channel is active.

Workaround

Do not clear GIFx flags when the channel is active. Instead, use HTIFx, TCIFx, and TEIFx specific event flags and their corresponding clear bits.

2.4 DMAMUX
2.4.1 SOFx not asserted when writing into DMAMUX_CFR register
Description

The SOFx flag of the DMAMUX_CSR status register is not asserted if overrun from another DMAMUX channel occurs when the software writes into the DMAMUX_CFR register.

This can happen when multiple DMA channels operate in synchronization mode, and when overrun can occur from more than one channel. As the SOFx flag clear requires a write into the DMAMUX_CFR register (to set the corresponding CSOFx bit), overrun occurring from another DMAMUX channel operating during that write operation fails to raise its corresponding SOFx flag.

Workaround

None. Avoid the use of synchronization mode for concurrent DMAMUX channels, if at least two of them potentially generate synchronization overrun.

2.4.2 OFx not asserted for trigger event coinciding with last DMAMUX request

Description

In the DMAMUX request generator, a trigger event detected in a critical instant of the last-generated DMAMUX request being served by the DMA controller does not assert the corresponding trigger overrun flag OFx. The critical instant is the clock cycle at the very end of the trigger overrun condition.

Additionally, upon the following trigger event, one single DMA request is issued by the DMAMUX request generator, regardless of the programmed number of DMA requests to generate.

The failure only occurs if the number of requests to generate is set to more than two ($GNBREQ[4:0] > 00001$).

Workaround

Make the trigger period longer than the duration required for serving the programmed number of DMA requests, so as to avoid the trigger overrun condition from occurring on the very last DMA data transfer.

2.4.3 OFx not asserted when writing into DMAMUX_RGCFR register

Description

The OFx flag of the DMAMUX_RGSR status register is not asserted if an overrun from another DMAMUX request generator channel occurs when the software writes into the DMAMUX_RGCFR register. This can happen when multiple DMA channels operate with the DMAMUX request generator, and when an overrun can occur from more than one request generator channel. As the OFx flag clear requires a write into the DMAMUX_RGCFR register (to set the corresponding COFx bit), an overrun occurring in another DMAMUX channel operating with another request generator channel during that write operation fails to raise the corresponding OFx flag.

Workaround

None. Avoid the use of request generator mode for concurrent DMAMUX channels, if at least two channels are potentially generating a request generator overrun.

2.4.4 Wrong input DMA request routed upon specific DMAMUX_CxCR register write coinciding with synchronization event

Description

If a write access into the DMAMUX_CxCR register having the SE bit at zero and SPOL[1:0] bitfield at a value other than 00:

- sets the SE bit (enables synchronization),
- modifies the values of the DMAREQ_ID[5:0] and SYNC_ID[4:0] bitfields, and
- does not modify the SPOL[1:0] bitfield,

and if a synchronization event occurs on the previously selected synchronization input exactly two AHB clock cycles before this DMAMUX_CxCR write, then the input DMA request selected by the DMAREQ_ID[5:0] value before that write is routed.

Workaround

Ensure that the SPOL[1:0] bitfield is at 00 whenever the SE bit is 0. When enabling synchronization by setting the SE bit, always set the SPOL[1:0] bitfield to a value other than 00 with the same write operation into the DMAMUX_CxCR register.

2.5 QUADSPI

2.5.1 First nibble of data not written after dummy phase

Description

The first nibble of data to be written to the external Flash memory is lost when the following condition is met:

- QUADSPI is used in indirect write mode.
- At least one dummy cycle is used.

Workaround

Use alternate bytes instead of dummy phase to add latency between the address phase and the data phase. This works only if the number of dummy cycles to substitute corresponds to a multiple of eight bits of data.

Example:

- To substitute one dummy cycle, send one alternate byte (only possible in DDR mode with four data lines).
- To substitute two dummy cycles, send one alternate byte in SDR mode with four data lines.
- To substitute four dummy cycles, send two alternate bytes in SDR mode with four data lines, or one alternate byte in SDR mode with two data lines.
- To substitute eight dummy cycles, send one alternate byte in SDR mode with one data line.

2.5.2 Wrong data from memory-mapped read after an indirect mode operation

Description

The first memory-mapped read in indirect mode can yield wrong data if the QUADSPI peripheral enters memory-mapped mode with bits ADDRESS[1:0] of the QUADSPI_AR register both set.

Workaround

Before entering memory-mapped mode, apply the following measure, depending on access mode:

- Indirect read mode: clear the QUADSPI_AR register then issue an abort request to stop reading and to clear the BUSY bit.
- Indirect write mode: clear the QUADSPI_AR register.

Caution: The QUADSPI_DR register must not be written after clearing the QUADSPI_AR register.

2.5.3 Memory-mapped read operations may fail when timeout counter is enabled

Description

In memory-mapped mode with the timeout counter enabled (by setting the TCEN bit of the QUADSPI_CR register), the QUADSPI peripheral may hang and memory-mapped read operation fail. This occurs if the timeout flag TOF is set at the same clock edge as a new memory-mapped read request.

Workaround

Disable the timeout counter. To raise the chip select, perform an abort at the end of each memory-mapped read operation.

2.5.4 Memory-mapped access in indirect mode clearing QUADSPI_AR register

Description

Memory-mapped accesses to the QUADSPI peripheral operating in indirect mode unduly clear the QUADSPI_AR register to 0x00.

Workaround

Adopt one of the following measures:

- Avoid memory-mapped accesses to the QUADSPI peripheral operating in indirect mode.
- After each memory-mapped access to the QUADSPI operating in indirect mode, write the QUADSPI_AR register with a desired value

2.6 ADC

2.6.1 Wrong ADC result if conversion done late after calibration or previous conversion

Description

The result of an ADC conversion done more than 1 ms later than the previous ADC conversion or ADC calibration might be incorrect.

Workaround

Perform two consecutive ADC conversions in single, scan or continuous mode. Reject the result of the first conversion and only keep the result of the second.

2.6.2 Selected external ADC inputs unduly clamped to V_{DD} when all analog peripherals are disabled

Description

When all analog peripherals (other than VREFBUF) are disabled, the GPIO(s) selected as ADC input(s) are unduly clamped (through a parasitic diode) to V_{DD} instead to V_{DDA} . As a consequence, the input voltage is limited to $V_{DD} + 0.3$ V even if V_{DDA} is higher than $V_{DD} + 0.3$ V.

Note: The selection of GPIOs as ADC inputs is done with the SQy and $JSQy$ bitfields of the ADC_SQRx and ADC_JSQR registers, respectively.

VREFBUF enable/disable has no impact to the issue described.

Workaround

Apply one of the following measures:

- Use V_{DDA} lower than $V_{DD} + 0.3$ V.
- Keep at least one analog peripheral (other than VREFBUF) enabled if GPIOs are selected as ADC inputs.
- Deselect GPIOs as ADC inputs (by clearing ADC_SQRx or/and ADC_JSQR registers) when no analog peripheral (other than VREFBUF) is enabled.

2.7 TSC

2.7.1 TSC signal-to-noise concern under specific conditions

Description

V_{DD} equal to or greater than V_{DDA} may lead (depending on part) to some degradation of the signal-to-noise ratio on the TSC analog I/O group 2.

The lower are the sampling capacitor (C_S) and the sensing electrode (C_X) capacitances, the worse is the signal-to-noise ratio degradation.

Workaround

Apply one of the following measures:

- Maximize C_S capacitance.
- Use the analog I/O group 2 as active shield.

2.8 TIM

2.8.1 One-pulse mode trigger not detected in master-slave reset + trigger configuration

Description

The failure occurs when several timers configured in one-pulse mode are cascaded, and the master timer is configured in combined reset + trigger mode with the MSM bit set:

OPM = 1 in TIMx_CR1, SMS[3:0] = 1000 and MSM = 1 in TIMx_SMCR.

The MSM delays the reaction of the master timer to the trigger event, so as to have the slave timers cycle-accurately synchronized.

If the trigger arrives when the counter value is equal to the period value set in the TIMx_ARR register, the one-pulse mode of the master timer does not work and no pulse is generated on the output.

Workaround

None. However, unless a cycle-level synchronization is mandatory, it is advised to keep the MSM bit reset, in which case the problem is not present. The MSM = 0 configuration also allows decreasing the timer latency to external trigger events.

2.8.2 Consecutive compare event missed in specific conditions

Description

Every match of the counter (CNT) value with the compare register (CCR) value is expected to trigger a compare event. However, if such matches occur in two consecutive counter clock cycles (as consequence of the CCR value change between the two cycles), the second compare event is missed for the following CCR value changes:

- in edge-aligned mode, from ARR to 0:
 - first compare event: CNT = CCR = ARR
 - second (missed) compare event: CNT = CCR = 0
- in center-aligned mode while up-counting, from ARR-1 to ARR (possibly a new ARR value if the period is also changed) at the crest (that is, when TIMx_RCR = 0):
 - first compare event: CNT = CCR = (ARR-1)
 - second (missed) compare event: CNT = CCR = ARR
- in center-aligned mode while down-counting, from 1 to 0 at the valley (that is, when TIMx_RCR = 0):
 - first compare event: CNT = CCR = 1
 - second (missed) compare event: CNT = CCR = 0

This typically corresponds to an abrupt change of compare value aiming at creating a timer clock single-cycle-wide pulse in toggle mode.

As a consequence:

- In toggle mode, the output only toggles once per counter period (squared waveform), whereas it is expected to toggle twice within two consecutive counter cycles (and so exhibit a short pulse per counter period).
- In center mode, the compare interrupt flag does not rise and the interrupt is not generated.

Note: The timer output operates as expected in modes other than the toggle mode.

Workaround

None.

2.8.3 Output compare clear not working with external counter reset

Description

The output compare clear event (ocref_clr) is not correctly generated when the timer is configured in the following slave modes: Reset mode, Combined reset + trigger mode, and Combined gated + reset mode.

The PWM output remains inactive during one extra PWM cycle if the following sequence occurs:

1. The output is cleared by the ocref_clr event.
2. The timer reset occurs before the programmed compare event.

Workaround

Apply one of the following measures:

- Use BKIN (or BKIN2 if available) input for clearing the output, selecting the Automatic output enable mode (AOE = 1).
- Mask the timer reset during the PWM ON time to prevent it from occurring before the compare event (for example with a spare timer compare channel open-drain output connected with the reset signal, pulling the timer reset line down).

2.9 LPTIM

2.9.1 Device may remain stuck in LPTIM interrupt when entering Stop mode

Description

This limitation occurs when disabling the low-power timer (LPTIM).

When the user application clears the ENABLE bit in the LPTIM_CR register within a small time window around one LPTIM interrupt occurrence, then the LPTIM interrupt signal used to wake up the device from Stop mode may be frozen in active state. Consequently, when trying to enter Stop mode, this limitation prevents the device from entering low-power mode and the firmware remains stuck in the LPTIM interrupt routine.

This limitation applies to all Stop modes and to all instances of the LPTIM. Note that the occurrence of this issue is very low.

Workaround

In order to disable a low power timer (LPTIMx) peripheral, do not clear its ENABLE bit in its respective LPTIM_CR register. Instead, reset the whole LPTIMx peripheral via the RCC controller by setting and resetting its respective LPTIMxRST bit in RCC_APBxRSTRz register.

2.9.2 Device may remain stuck in LPTIM interrupt when clearing event flag

Description

This limitation occurs when the LPTIM is configured in interrupt mode (at least one interrupt is enabled) and the software clears any flag in LPTIM_ISR register by writing its corresponding bit in LPTIM_ICR register. If the interrupt status flag corresponding to a disabled interrupt is cleared simultaneously with a new event detection, the set and clear commands might reach the APB domain at the same time, leading to an asynchronous interrupt signal permanently stuck high.

This issue can occur either during an interrupt subroutine execution (where the flag clearing is usually done), or outside an interrupt subroutine.

Consequently, the firmware remains stuck in the LPTIM interrupt routine, and the device cannot enter Stop mode.

Workaround

To avoid this issue, it is strongly advised to follow the recommendations listed below:

- Clear the flag only when its corresponding interrupt is enabled in the interrupt enable register.
- If for specific reasons, it is required to clear some flags that have corresponding interrupt lines disabled in the interrupt enable register, it is recommended to clear them during the current subroutine prior to those which have corresponding interrupt line enabled in the interrupt enable register.
- Flags must not be cleared outside the interrupt subroutine.

Note: The proper clear sequence is already implemented in the `HAL_LPTIM_IRQHandler` in the `STM32Cube`.

2.10 RTC and TAMP

2.10.1 RTC interrupt can be masked by another RTC interrupt

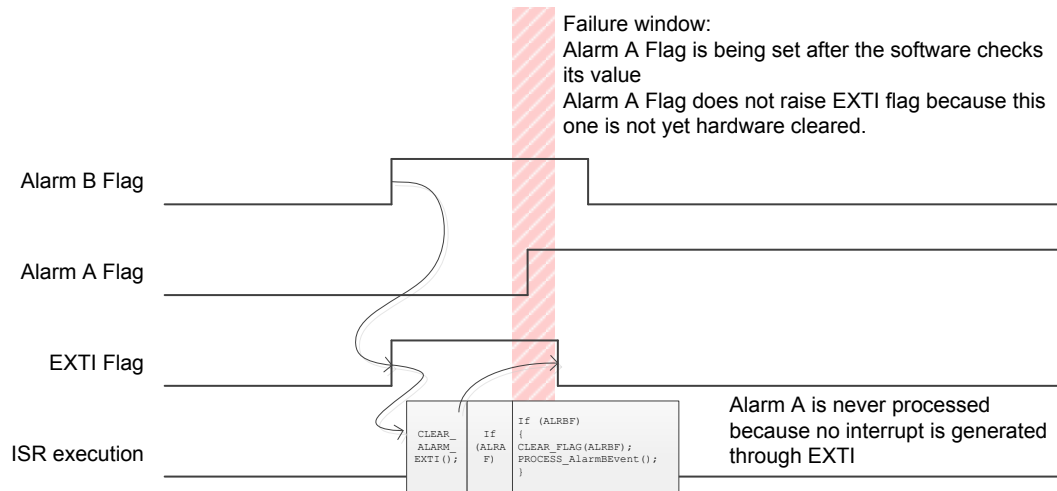
Description

One RTC interrupt request can mask another RTC interrupt request if they share the same EXTI configurable line. For example, interrupt requests from Alarm A and Alarm B or those from tamper and timestamp events are OR-ed to the same EXTI line (refer to the *EXTI line connections* table in the *Extended interrupt and event controller (EXTI)* section of the reference manual).

The following code example and figure illustrate the failure mechanism: The Alarm A event is lost (fails to generate interrupt) as it occurs in the failure window, that is, after checking the Alarm A event flag but before the effective clear of the EXTI interrupt flag by hardware. The effective clear of the EXTI interrupt flag is delayed with respect to the software instruction to clear it.

Alarm interrupt service routine:

```
void RTC_Alarm_IRQHandler(void)
{
    CLEAR_ALARM_EXTI(); /* Clear the EXTI line flag for RTC alarms*/
    If(ALRAF) /* Check if Alarm A triggered ISR */
    {
        CLEAR_FLAG(ALRAF); /* Clear the Alarm A interrupt pending bit */
        PROCESS_AlarmAEvent(); /* Process Alarm A event */
    }
    If(ALRBF) /* Check if Alarm B triggered ISR */
    {
        CLEAR_FLAG(ALRBF); /* Clear the Alarm B interrupt pending bit */
        PROCESS_AlarmBEvent(); /* Process Alarm B event */
    }
}
```

Figure 2. Masked RTC interrupt


Workaround

In the interrupt service routine, apply three consecutive event flag checks - source one, source two, and source one again, as in the following code example:

```

void RTC_Alarm_IRQHandler(void)
{
    CLEAR_ALARM_EXTI(); /* Clear the EXTI's line Flag for RTC Alarm */
    if(ALRAF) /* Check if AlarmA triggered ISR */
    {
        CLEAR_FLAG(ALRAF); /* Clear the AlarmA interrupt pending bit */
        PROCESS_AlarmAEvent(); /* Process AlarmA Event */
    }
    if(ALRBF) /* Check if AlarmB triggered ISR */
    {
        CLEAR_FLAG(ALRBF); /* Clear the AlarmB interrupt pending bit */
        PROCESS_AlarmBEvent(); /* Process AlarmB Event */
    }
    if(ALRAF) /* Check if AlarmA triggered ISR */
    {
        CLEAR_FLAG(ALRAF); /* Clear the AlarmA interrupt pending bit */
        PROCESS_AlarmAEvent(); /* Process AlarmA Event */
    }
}
    
```

2.10.2 Calendar initialization may fail in case of consecutive INIT mode entry

Description

If the INIT bit of the RTC_ISR register is set between one and two RTCCLK cycles after being cleared, the INITF flag is set immediately instead of waiting for synchronization delay (which should be between one and two RTCCLK cycles), and the initialization of registers may fail.

Depending on the INIT bit clearing and setting instants versus the RTCCLK edges, it can happen that, after being immediately set, the INITF flag is cleared during one RTCCLK period then set again. As writes to calendar registers are ignored when INITF is low, a write during this critical period might result in the corruption of one or more calendar registers.

Workaround

After exiting the initialization mode, clear the BYPSHAD bit (if set) then wait for RSF to rise, before entering the initialization mode again.

Note: It is recommended to write all registers in a single initialization session to avoid accumulating synchronization delays.

2.10.3 Alarm flag may be repeatedly set when the core is stopped in debug

Description

When the core is stopped in debug mode, the clock is supplied to subsecond RTC alarm downcounter even though the device is configured to stop the RTC in debug.

As a consequence, when the subsecond counter is used for alarm condition (the MASKSS[3:0] bitfield of the RTC_ALRMASR and/or RTC_ALRMBSSR register set to a non-zero value) and the alarm condition is met just before entering a breakpoint or printf, the ALRAF and/or ALRBF flag of the RTC_SR register is repeatedly set by hardware during the breakpoint or printf, which makes any tentative to clear the flag(s) ineffective.

Workaround

None.

2.11 I2C

2.11.1 Wrong data sampling when data setup time ($t_{SU;DAT}$) is shorter than one I2C kernel clock period

Description

The I²C-bus specification and user manual specify a minimum data setup time ($t_{SU;DAT}$) as:

- 250 ns in Standard mode
- 100 ns in Fast mode
- 50 ns in Fast mode Plus

The device does not correctly sample the I²C-bus SDA line when $t_{SU;DAT}$ is smaller than one I2C kernel clock (I²C-bus peripheral clock) period: the previous SDA value is sampled instead of the current one. This can result in a wrong receipt of slave address, data byte, or acknowledge bit.

Workaround

Increase the I2C kernel clock frequency to get I2C kernel clock period within the transmitter minimum data setup time. Alternatively, increase transmitter's minimum data setup time. If the transmitter setup time minimum value corresponds to the minimum value provided in the I²C-bus standard, the minimum I2CCLK frequencies are as follows:

- In Standard mode, if the transmitter minimum setup time is 250 ns, the I2CCLK frequency must be at least 4 MHz.
- In Fast mode, if the transmitter minimum setup time is 100 ns, the I2CCLK frequency must be at least 10 MHz.
- In Fast-mode Plus, if the transmitter minimum setup time is 50 ns, the I2CCLK frequency must be at least 20 MHz.

2.11.2 Spurious bus error detection in master mode

Description

In master mode, a bus error can be detected spuriously, with the consequence of setting the BERR flag of the I2C_SR register and generating bus error interrupt if such interrupt is enabled. Detection of bus error has no effect on the I²C-bus transfer in master mode and any such transfer continues normally.

Workaround

If a bus error interrupt is generated in master mode, the BERR flag must be cleared by software. No other action is required and the ongoing transfer can be handled normally.

2.11.3 Spurious master transfer upon own slave address match

Description

When the device is configured to operate at the same time as master and slave (in a multi-master I²C-bus application), a spurious master transfer may occur under the following condition:

- Another master on the bus is in process of sending the slave address of the device (the bus is busy).
- The device initiates a master transfer by bit set before the slave address match event (the ADDR flag set in the I2C_ISR register) occurs.
- After the ADDR flag is set:
 - the device does not write I2C_CR2 before clearing the ADDR flag, or
 - the device writes I2C_CR2 earlier than three I2C kernel clock cycles before clearing the ADDR flag

In these circumstances, even though the START bit is automatically cleared by the circuitry handling the ADDR flag, the device spuriously proceeds to the master transfer as soon as the bus becomes free. The transfer configuration depends on the content of the I2C_CR2 register when the master transfer starts. Moreover, if the I2C_CR2 is written less than three kernel clocks before the ADDR flag is cleared, the I2C peripheral may fall into an unpredictable state.

Workaround

Upon the address match event (ADDR flag set), apply the following sequence.

Normal mode (SBC = 0):

1. Set the ADDRCONF bit.
2. Before Stop condition occurs on the bus, write I2C_CR2 with the START bit low.

Slave byte control mode (SBC = 1):

1. Write I2C_CR2 with the slave transfer configuration and the START bit low.
2. Wait for longer than three I2C kernel clock cycles.
3. Set the ADDRCONF bit.
4. Before Stop condition occurs on the bus, write I2C_CR2 again with its current value.

The time for the software application to write the I2C_CR2 register before the Stop condition is limited, as the clock stretching (if enabled), is aborted when clearing the ADDR flag.

Polling the BUSY flag before requesting the master transfer is not a reliable workaround as the bus may become busy between the BUSY flag check and the write into the I2C_CR2 register with the START bit set.

2.11.4 START bit is cleared upon setting ADDRCONF, not upon address match

Description

Some reference manual revisions may state that the START bit of the I2C_CR2 register is cleared upon slave address match event.

Instead, the START bit is cleared upon setting, by software, the ADDRCONF bit of the I2C_ICR register, which does not guarantee the abort of master transfer request when the device is being addressed as slave. This product limitation and its workaround are the subject of a separate erratum.

Workaround

No application workaround is required for this description inaccuracy issue.

2.11.5 OVR flag not set in underrun condition

Description

In slave transmission with clock stretching disabled (NOSTRETCH = 1 in the I2C_CR1 register), an underrun condition occurs if the current byte transmission is completed on the I2C bus, and the next data is not yet written in the TXDATA[7:0] bitfield. In this condition, the device is expected to set the OVR flag of the I2C_ISR register and send 0xFF on the bus.

However, if the I2C_TXDR is written within the interval between two I2C kernel clock cycles before and three APB clock cycles after the start of the next data transmission, the OVR flag is not set, although the transmitted value is 0xFF.

Workaround

None.

2.11.6 Transmission stalled after first byte transfer

Description

When the first byte to transmit is not prepared in the TXDATA register, two bytes are required successively, through TXIS status flag setting or through a DMA request. If the first of the two bytes is written in the I2C_TXDR register in less than two I2C kernel clock cycles after the TXIS/DMA request, and the ratio between APB clock and I2C kernel clock frequencies is between 1.5 and 3, the second byte written in the I2C_TXDR is not internally detected. This causes a state in which the I2C peripheral is stalled in master mode or in slave mode, with clock stretching enabled (NOSTRETCH = 0). This state can only be released by disabling the peripheral (PE = 0) or by resetting it.

Workaround

Apply one of the following measures:

- Write the first data in I2C_TXDR before the transmission starts.
- Set the APB clock frequency so that its ratio with respect to the I2C kernel clock frequency is lower than 1.5 or higher than 3.

2.12 USART

2.12.1 Anticipated end-of-transmission signaling in SPI slave mode

Description

In SPI slave mode, at low USART baud rate with respect to the USART kernel and APB clock frequencies, the *transmission complete* flag TC of the USARTx_ISR register may unduly be set before the last bit is shifted on the transmit line.

This leads to data corruption if, based on this anticipated end-of-transmission signaling, the application disables the peripheral before the last bit is transmitted.

Workaround

Upon the TC flag rise, wait until the clock line remains idle for more than the half of the communication clock cycle. Then only consider the transmission as ended.

2.12.2 Data corruption due to noisy receive line

Description

In UART mode with oversampling by 8 or 16 and with 1 or 2 stop bits, the received data may be corrupted if a glitch to zero shorter than the half-bit occurs on the receive line within the second half of the stop bit.

Workaround

None.

2.13 SPI

2.13.1 BSY bit may stay high when SPI is disabled

Description

The BSY flag may remain high upon disabling the SPI while operating in:

- master transmit mode and the TXE flag is low (data register full).
- master receive-only mode (simplex receive or half-duplex bidirectional receive phase) and an SCK strobing edge has not occurred since the transition of the RXNE flag from low to high.
- slave mode and NSS signal is removed during the communication.

Workaround

When the SPI operates in:

- master transmit mode, disable the SPI when TXE = 1 and BSY = 0.
- master receive-only mode, ignore the BSY flag.
- slave mode, do not remove the NSS signal during the communication.

2.13.2 BSY bit may stay high at the end of data transfer in slave mode

Description

BSY flag may sporadically remain high at the end of a data transfer in slave mode. This occurs upon coincidence of internal CPU clock and external SCK clock provided by master.

In such an event, if the software only relies on BSY flag to detect the end of SPI slave data transaction (for example to enter low-power mode or to change data line direction in half-duplex bidirectional mode), the detection fails.

As a conclusion, the BSY flag is unreliable for detecting the end of data transactions.

Workaround

Depending on SPI operating mode, use the following means for detecting the end of transaction:

- When NSS hardware management is applied and NSS signal is provided by master, use NSS flag.
- In SPI receiving mode, use the corresponding RXNE event flag.
- In SPI transmit-only mode, use the BSY flag in conjunction with a timeout expiry event. Set the timeout such as to exceed the expected duration of the last data frame and start it upon TXE event that occurs with the second bit of the last data frame. The end of the transaction corresponds to either the BSY flag becoming low or the timeout expiry, whichever happens first.

Prefer one of the first two measures to the third as they are simpler and less constraining.

Alternatively, apply the following sequence to ensure reliable operation of the BSY flag in SPI transmit mode:

1. Write last data to data register.
2. Poll the TXE flag until it becomes high, which occurs with the second bit of the data frame transfer.
3. Disable SPI by clearing the SPE bit mandatorily before the end of the frame transfer.
4. Poll the BSY bit until it becomes low, which signals the end of transfer.

Note: The alternative method can only be used with relatively fast CPU speeds versus relatively slow SPI clocks or/and long last data frames. The faster is the software execution, the shorter can be the duration of the last data frame.

2.13.3 Wrong CRC in full-duplex mode handled by DMA with imbalanced setting of data counters

Description

When SPI is handled by DMA in full-duplex master or slave mode with CRC enabled, the CRC computation may temporarily freeze for the ongoing frame, which results in corrupted CRC.

This happens when the receive counter reaches zero upon the receipt of the CRC pattern (as the receive counter was set to a value greater, by CRC length, than the transmit counter). An internal signal dedicated to receive-only mode is left unduly pending. Consequently, the signal can cause the CRC computation to freeze during a next transaction in which DMA TXE event service is accidentally delayed (for example, due to DMA servicing a request from another channel).

Workaround

Apply one of the following measures prior to each full-duplex SPI transaction:

- Set the DMA transmission and reception data counters to equal values. Upon the transaction completion, read the CRC pattern out from RxFIFO separately by software.
- Reset the SPI peripheral via peripheral reset register.

2.14 USB

2.14.1 Possible packet memory overrun/underrun at low APB frequency

Description

Some data sheet and/or reference manual revisions may omit the information that 10 MHz minimum APB clock frequency is required to avoid USB data overrun/underrun issues.

Operating the USB peripheral with lower APB clock frequency may lead to:

- Overrun for *out* transactions - the USB peripheral fails to store the received data into the PBM before the next byte is received on the USB (PBM overrun). The USB cell detects an internal error condition, discards the last received byte, stops writing into the PBM, sends no acknowledge (forcing the host to retry the transaction), and informs the application by setting the PMAOVR flag/interrupt.
- Underrun for *in* transactions - the USB peripheral fails to read from the PBM the next byte to transmit before the transmission of the previous one is completed on the USB. The USB cell detects an internal error condition, stops reading from PBM, generates a bit stuffing error on the USB (forcing the host to retry the transaction), and informs the application by setting the PMAOVR flag/interrupt.

This is a documentation issue rather than a device limitation.

Workaround

No application workaround is required if the minimum APB clock frequency of 10 MHz is respected.

2.14.2 ESOF interrupt timing desynchronized after resume signaling

Description

Upon signaling resume, the device is expected to allow full 3 ms of time to the host or hub for sending the initial SOF (start of frame) packet, without triggering SUSP interrupt. However, the device only allows two full milliseconds and unduly triggers SUSP interrupt if it receives the initial packet within the third millisecond.

Workaround

When the device initiates resume (remote wakeup), mask the SUSP interrupt by setting the SUSPM bit for 3 ms, then unmask it by clearing SUSPM.

2.14.3 Incorrect CRC16 in the memory buffer

Description

Memory buffer locations are written starting from the address contained in the ADDRn_RX for a number of bytes corresponding to the received data packet length, CRC16 inclusive (that is, data payload length plus two bytes), or up to the last allocated memory location defined by BL_SIZE and NUM_BLOCK, whichever comes first. In the former case, the CRC16 checksum is written wrongly, with its least significant byte going to both memory buffer byte locations expected to receive the least and the most significant bytes of the checksum.

Although the checksum written in the memory buffer is wrong, the underlying CRC checking mechanism in the USB peripheral is fully functional.

Workaround

Ignore the CRC16 data in the memory buffer.

2.14.4 Device not responding to USB messages to its endpoint 0xF**Description**

The device does not respond to USB messages to its USB endpoint 0xF if the USB device address (the ADD[6:0] bitfield of the USB_DADDR register) is in the range from 0x60 to 0x6F.

Workaround

In the application, ensure that this combination of USB endpoint number and USB device address does not occur.

Revision history

Table 5. Document revision history

Date	Version	Changes
21-Feb-2019	4	First public release.
21-Nov-2019	5	<p>Added errata in Section 2 Description of device errata:</p> <ul style="list-style-type: none"> Flash OPTVERR flag is always set after system reset Overwriting with all zeros a Flash memory location previously programmed with all ones fails WLCSP100 RF BLE overconsumption When VDD exceeds 2.5V in LDO configuration a glitch on HSE may create a hard fault on M4/M0 One-pulse mode trigger not detected in master-slave reset + trigger configuration Consecutive compare event missed in specific conditions Output compare clear not working with external counter reset OVR flag not set in underrun condition Transmission stalled after first byte transfer ESOF interrupt timing desynchronized after resume signaling Incorrect CRC16 in the memory buffer Device not responding to USB messages to its endpoint 0xF <p>Added Table 4. Summary of device documentation errata.</p> <p>Modified:</p> <ul style="list-style-type: none"> Table 3. Summary of device limitations to reflect modifications in Section 2 Description of device errata erratum VDIV or VSQRT instructions might not complete correctly when very short ISRs are used - workaround corrected erratum <i>First double-word of Flash memory corrupted upon reset or power-down while programming</i> - description and workaround updated erratum START bit is cleared upon setting ADDRCONF, not upon address match moved to Table 4 erratum Possible packet memory overrun/underrun at low APB frequency modified and moved to Table 4
17-Feb-2020	6	<p>Add errata in Section 2 Description of device errata and Table 3. Summary of device limitations:</p> <ul style="list-style-type: none"> FLASH_ECCR corrupted upon reset or power-down occurring during Flash memory program or erase operation A system reset occurs when nRST_SHDW is set and nRST_STDBY is cleared and Shutdown mode is entered PH3 signal transitions disturb LSE WLCSP100 PA2 signal transitions disturb LSE <p>Updated errata title in Section 2 Description of device errata and Table 3. Summary of device limitations :</p> <ul style="list-style-type: none"> WLCSP100 RF BLE overconsumption WLCSP100 noise coupling in LDO configuration at specific conditions <p>Removed erratum from Section 2 Description of device errata:</p> <ul style="list-style-type: none"> <i>First double-word of Flash memory corrupted upon reset or power-down while programming</i>
23-Jul-2020	7	<p>Added errata in Section 2 Description of device errata and Table 3. Summary of device limitations:</p> <ul style="list-style-type: none"> Anticipated end-of-transmission signaling in SPI slave mode Data corruption due to noisy receive line Incorrect exit from Stop modes when the DBGMCU/DBG_STOP is enabled

Date	Version	Changes
		<ul style="list-style-type: none"> • HSE is switched on immediately on Stop 2 exit, causing an undesired over-consumption • When VDD exceeds 2.5V in LDO configuration a glitch on HSE may create a hard fault on M4/M0 • WLCSP100 when SMPS is in bypass mode a glitch on HSE create a hard fault on M4/M0 <p>Coverage of STM2WB35Cx.</p>
07-May-2021	8	<ul style="list-style-type: none"> • Corrected pin name typo in WLCSP100 PA2 signal transitions disturb LSE • Removed WLCSP100 from title of limitation When VDD exceeds 2.5V in LDO configuration a glitch on HSE may create a hard fault on M4/M0
15-Jul-21	9	<p>Added errata:</p> <ul style="list-style-type: none"> • SMPS functional only with Stop 0 mode and Run mode • TSC signal-to-noise concern under specific conditions • Selected external ADC inputs unduly clamped to VDD when all analog peripherals are disabled

Contents

1	Summary of device errata	2
2	Description of device errata	5
2.1	Core	5
2.1.1	Interrupted loads to SP can cause erroneous behavior	5
2.1.2	VDIV or VSQRT instructions might not complete correctly when very short ISRs are used	5
2.1.3	Store immediate overlapping exception return operation might vector to incorrect interrupt	6
2.2	System	7
2.2.1	LSI2 not usable as RF low-power clock	7
2.2.2	Unstable LSI1 when it clocks RTC or CSS on LSE	7
2.2.3	Internal voltage reference corrupted upon Stop mode entry with temperature sensing enabled	8
2.2.4	Full JTAG configuration without NJTRST pin cannot be used	8
2.2.5	Auto-incrementing feature of the debug port cannot span more than 1 Kbyte	8
2.2.6	PC13 signal transitions disturb LSE	9
2.2.7	Wrong DMAMUX synchronization and trigger input connections to EXTI	9
2.2.8	Incomplete Stop 2 mode entry after a wakeup from debug upon EXTI line 48 event	9
2.2.9	Flash OPTVERR flag is always set after system reset	9
2.2.10	Overwriting with all zeros a Flash memory location previously programmed with all ones fails	10
2.2.11	WLCSP100 RF BLE overconsumption	10
2.2.12	WLCSP100 noise coupling in LDO configuration at specific conditions	10
2.2.13	FLASH_ECCR corrupted upon reset or power-down occurring during Flash memory program or erase operation	11
2.2.14	A system reset occurs when nRST_SHDW is set and nRST_STDBY is cleared and Shutdown mode is entered	11
2.2.15	PH3 signal transitions disturb LSE	11
2.2.16	WLCSP100 PA2 signal transitions disturb LSE	11
2.2.17	Incorrect exit from Stop modes when the DBGMCU/DBG_STOP is enabled	11
2.2.18	HSE is switched on immediately on Stop 2 exit, causing an undesired over-consumption	12
2.2.19	When V _{DD} exceeds 2.5V in LDO configuration a glitch on HSE may create a hard fault on M4/M0	12
2.2.20	WLCSP100 when SMPS is in bypass mode a glitch on HSE create a hard fault on M4/M0	12

2.2.21	SMPS functional only with Stop 0 mode and Run mode	13
2.3	DMA	13
2.3.1	DMA disable failure and error flag omission upon simultaneous transfer error and global flag clear	13
2.4	DMAMUX	13
2.4.1	SOFx not asserted when writing into DMAMUX_CFR register	13
2.4.2	OFx not asserted for trigger event coinciding with last DMAMUX request	14
2.4.3	OFx not asserted when writing into DMAMUX_RGCFR register	14
2.4.4	Wrong input DMA request routed upon specific DMAMUX_CxCR register write coinciding with synchronization event	14
2.5	QUADSPI	15
2.5.1	First nibble of data not written after dummy phase	15
2.5.2	Wrong data from memory-mapped read after an indirect mode operation	15
2.5.3	Memory-mapped read operations may fail when timeout counter is enabled	15
2.5.4	Memory-mapped access in indirect mode clearing QUADSPI_AR register	15
2.6	ADC	16
2.6.1	Wrong ADC result if conversion done late after calibration or previous conversion	16
2.6.2	Selected external ADC inputs unduly clamped to V_{DD} when all analog peripherals are disabled	16
2.7	TSC	16
2.7.1	TSC signal-to-noise concern under specific conditions	16
2.8	TIM	17
2.8.1	One-pulse mode trigger not detected in master-slave reset + trigger configuration	17
2.8.2	Consecutive compare event missed in specific conditions	17
2.8.3	Output compare clear not working with external counter reset	18
2.9	LPTIM	18
2.9.1	Device may remain stuck in LPTIM interrupt when entering Stop mode	18
2.9.2	Device may remain stuck in LPTIM interrupt when clearing event flag	18
2.10	RTC and TAMP	19
2.10.1	RTC interrupt can be masked by another RTC interrupt	19
2.10.2	Calendar initialization may fail in case of consecutive INIT mode entry	20
2.10.3	Alarm flag may be repeatedly set when the core is stopped in debug	21
2.11	I2C	21

2.11.1	Wrong data sampling when data setup time ($t_{\text{SU;DAT}}$) is shorter than one I2C kernel clock period	21
2.11.2	Spurious bus error detection in master mode	21
2.11.3	Spurious master transfer upon own slave address match	22
2.11.4	START bit is cleared upon setting ADDRCONF, not upon address match	22
2.11.5	OVR flag not set in underrun condition	22
2.11.6	Transmission stalled after first byte transfer	23
2.12	USART	23
2.12.1	Anticipated end-of-transmission signaling in SPI slave mode	23
2.12.2	Data corruption due to noisy receive line.	23
2.13	SPI	24
2.13.1	BSY bit may stay high when SPI is disabled	24
2.13.2	BSY bit may stay high at the end of data transfer in slave mode.	24
2.13.3	Wrong CRC in full-duplex mode handled by DMA with imbalanced setting of data counters	24
2.14	USB.	25
2.14.1	Possible packet memory overrun/underrun at low APB frequency	25
2.14.2	ESOF interrupt timing desynchronized after resume signaling	25
2.14.3	Incorrect CRC16 in the memory buffer	25
2.14.4	Device not responding to USB messages to its endpoint 0xF	26
Revision history		27



IMPORTANT NOTICE – PLEASE READ CAREFULLY

STMicroelectronics NV and its subsidiaries (“ST”) reserve the right to make changes, corrections, enhancements, modifications, and improvements to ST products and/or to this document at any time without notice. Purchasers should obtain the latest relevant information on ST products before placing orders. ST products are sold pursuant to ST’s terms and conditions of sale in place at the time of order acknowledgement.

Purchasers are solely responsible for the choice, selection, and use of ST products and ST assumes no liability for application assistance or the design of Purchasers’ products.

No license, express or implied, to any intellectual property right is granted by ST herein.

Resale of ST products with provisions different from the information set forth herein shall void any warranty granted by ST for such product.

ST and the ST logo are trademarks of ST. For additional information about ST trademarks, please refer to www.st.com/trademarks. All other product or service names are the property of their respective owners.

Information in this document supersedes and replaces information previously supplied in any prior versions of this document.

© 2021 STMicroelectronics – All rights reserved