

DC-DC CONVERTERS

400 mA, nano-quiescent current synchronous step-down converters



New high-efficiency converters with digital voltage selection and Power Good pin pushes performance beyond limits



Miniaturized step-down regulators drawing a quiescent current of only 500 nA, the ST1PS0X family is specifically tailored for battery-powered and energy-harvesting applications, as it ensures a highly efficient conversion regardless of the power source.

With an input voltage ranging from 1.8 to 5.5 V, this new generation of **buck converters** requires a minimal set of external components thanks to the integrated power switch, synchronous rectifier, and integrated compensation network.

KEY FEATURES

- Input supply voltage range: 1.8 to 5.5 V
- 500 nA quiescent current (typ.) with no load
- Wide range dynamic output voltage on-the-fly selection
- 400 mA output current capability
- $\pm 2\%$ output voltage accuracy
- Power Good output pin and Soft-Start sequence
- Flip-chip (1.11 x 1.41 mm) with 400 μm pitch
- TQFN12 (2.0 x 1.7 mm) with 400 μm pitch

KEY BENEFITS

- High efficiency at any load level, 95% at 1 mA output load current
- 1.8 V minimum supply input voltage allows using different battery technology

KEY APPLICATIONS

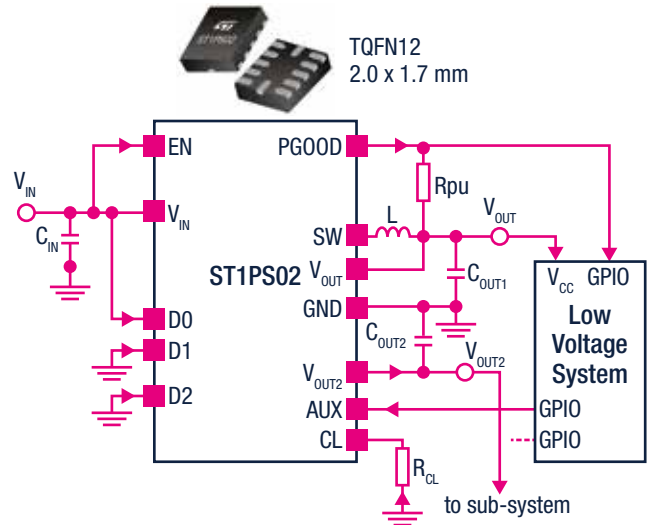
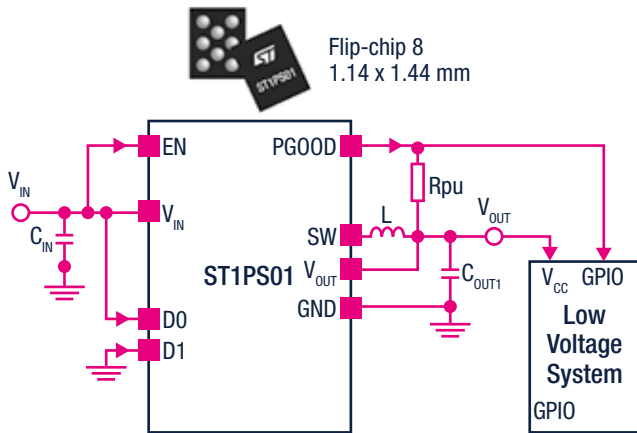
- Asset Tracking
- Energy (gas, water) metering
- Energy harvesting for portable and battery-powered equipment
- Medical
- Keep-alive point-of-load

The ST1PS0X step-down converters are specifically designed for applications where high efficiency and PCB size and thickness are key factors.

Thanks to an enhanced peak current control mode, the ST1PS0X family ensures very high efficiency conversions using just a 2.2 μH inductor and two small capacitors. In addition to an output voltage that can be set on-the-fly by using digital control input pins, a cutting-edge design circuitry is implemented to minimize the quiescent current while also achieving top-class power conversion performance at light output current.

The ST1PS0X family includes the **ST1PS01** step-down regulator, available in a tiny Flip-Chip package (1.11 x 1.41 mm, 400 μm pitch) for space-constrained applications, the **ST1PS02**, that comes in a thin TQFN12 plastic package (2.0 x 1.7 mm, 400 μm pitch) with an auxiliary output voltage pin and the **ST1PS03**, in TQFN12 plastic package as well with an independent load switch.

Application Schematics



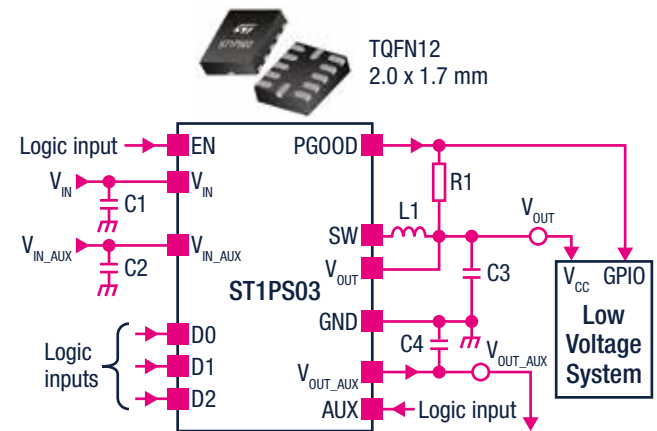
ST1PS01 Product Table

Order Codes	Output voltage	Eval-Board order code
ST1PS01AJR	1.9 V, 2.0 V, 2.1 V, 2.8 V	STEVAL-1PS01AJR
ST1PS01DJR	1.8 V, 2.3 V, 2.5 V, 2.8 V	STEVAL-1PS01DJR
ST1PS01EJR	1.8 V, 2.7 V, 3.0 V, 3.3 V	STEVAL-1PS01EJR
ST1PS01BJR	1.1 V, 1.2 V, 1.5 V, 1.7 V	-
ST1PS01CJR	1 V, 1.2 V, 1.3 V, 1.5 V	-
ST1PS01FJR	1.05 V, 1.25 V, 1.35 V, 1.55 V	-
ST1PS01GJR	0.73 V, 0.8 V, 0.9 V, 1.0 V	-
ST1PS01HJR	1.05 V, 0.90 V, 0.70 V, 0.625 V	-

ST1PS02 Product Table

Order Codes	Output voltage	Output discharge
ST1PS02AQTR ¹	1.40 V to 1.75 V, 50 mV steps	Yes
ST1PS02A1QTR		No
ST1PS02BQTR ²	1.8 V to 2.5 V, 100 mV steps	Yes
ST1PS02B1QTR		No
ST1PS02CQTR ³	2.6 V to 3.3 V, 100 mV steps	Yes
ST1PS02C1QTR		No
ST1PS02DQTR ⁴	1.0 V to 1.35 V, 50 mV steps	Yes
ST1PS02D1QTR		No

Note: 1 Eval-Board code: STEVAL-1PS02A 2 Eval-Board code: STEVAL-1PS02B
3 Eval-Board code: STEVAL-1PS02C 4 Eval-Board code: STEVAL-1PS02D



ST1PS03 Product Table

Order Codes	Output voltage	Output discharge
ST1PS03AQTR ¹	1.60 V to 3.3 V	Yes
ST1PS03A1QTR		No

Note: 1 Eval-Board code: STEVAL-1PS03A



© STMicroelectronics - March 2022 - Printed in United Kingdom - All rights reserved
ST and ST logo are registered and/or unregistered trademarks of STMicroelectronics International NV or its affiliates in the EU and/or elsewhere. In particular, ST and ST logo are Registered in the US Patent and Trademark Office.
For additional information about ST trademarks, please refer to www.st.com/trademarks.
All other product or service names are the property of their respective owners.

