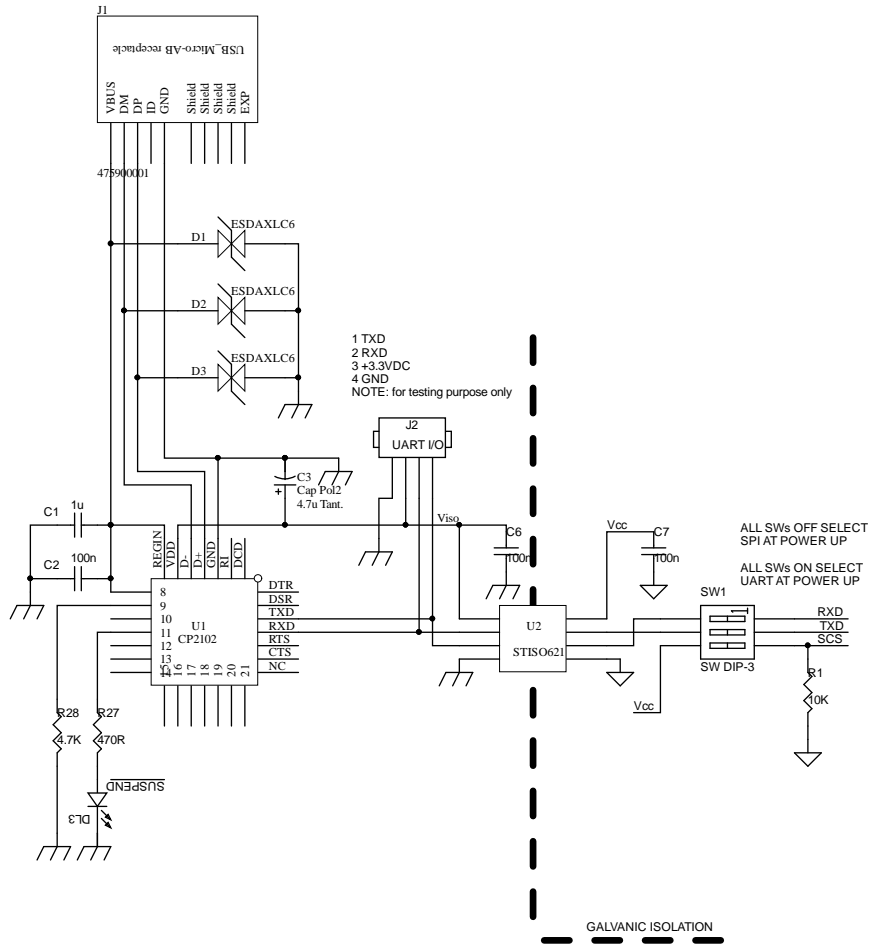
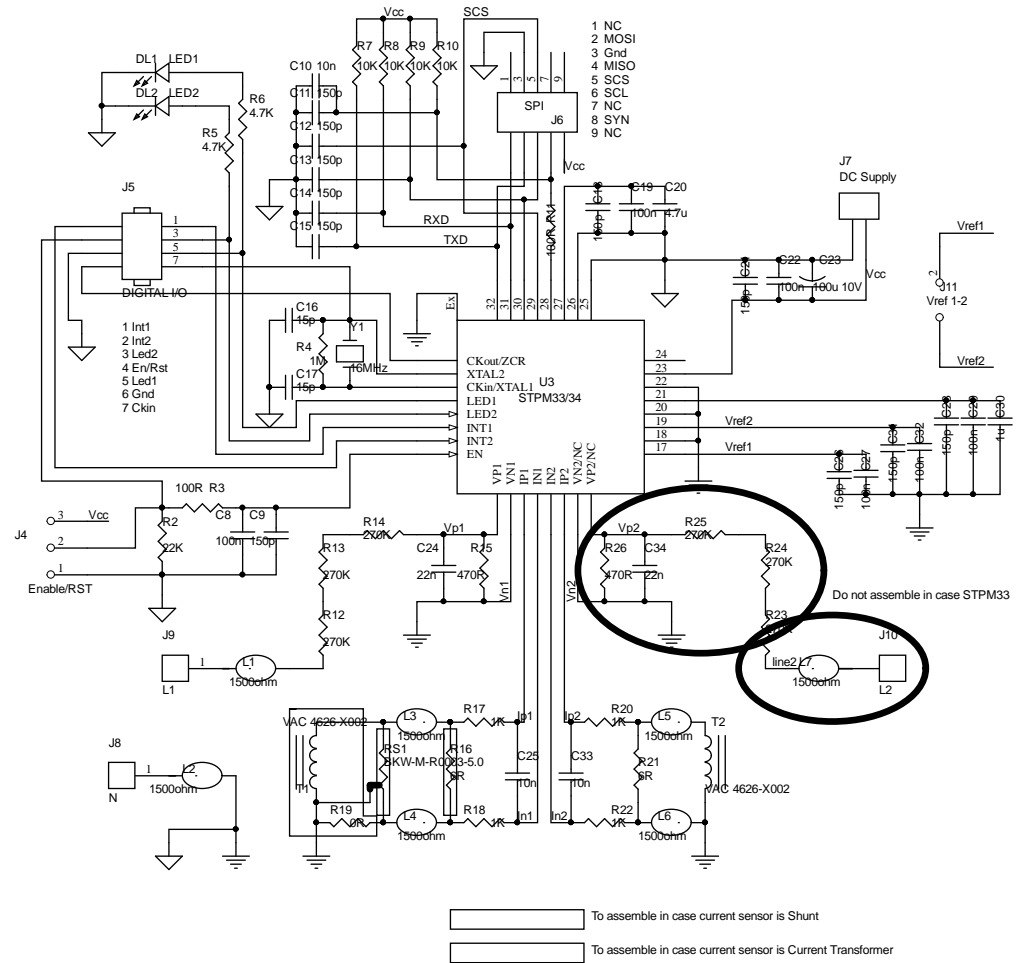


## USB/UART



## METROLOGY CIRCUIT



Title  
Size: A4 Number: Revision:  
Date: Time: Sheet of  
File: EVALSTPM33-34 V3.SchDoc

