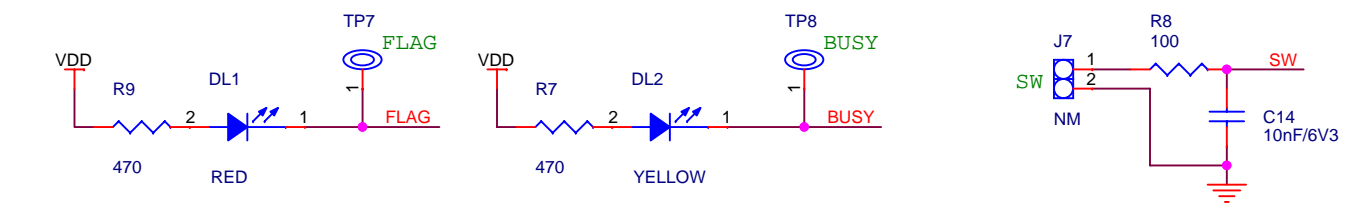
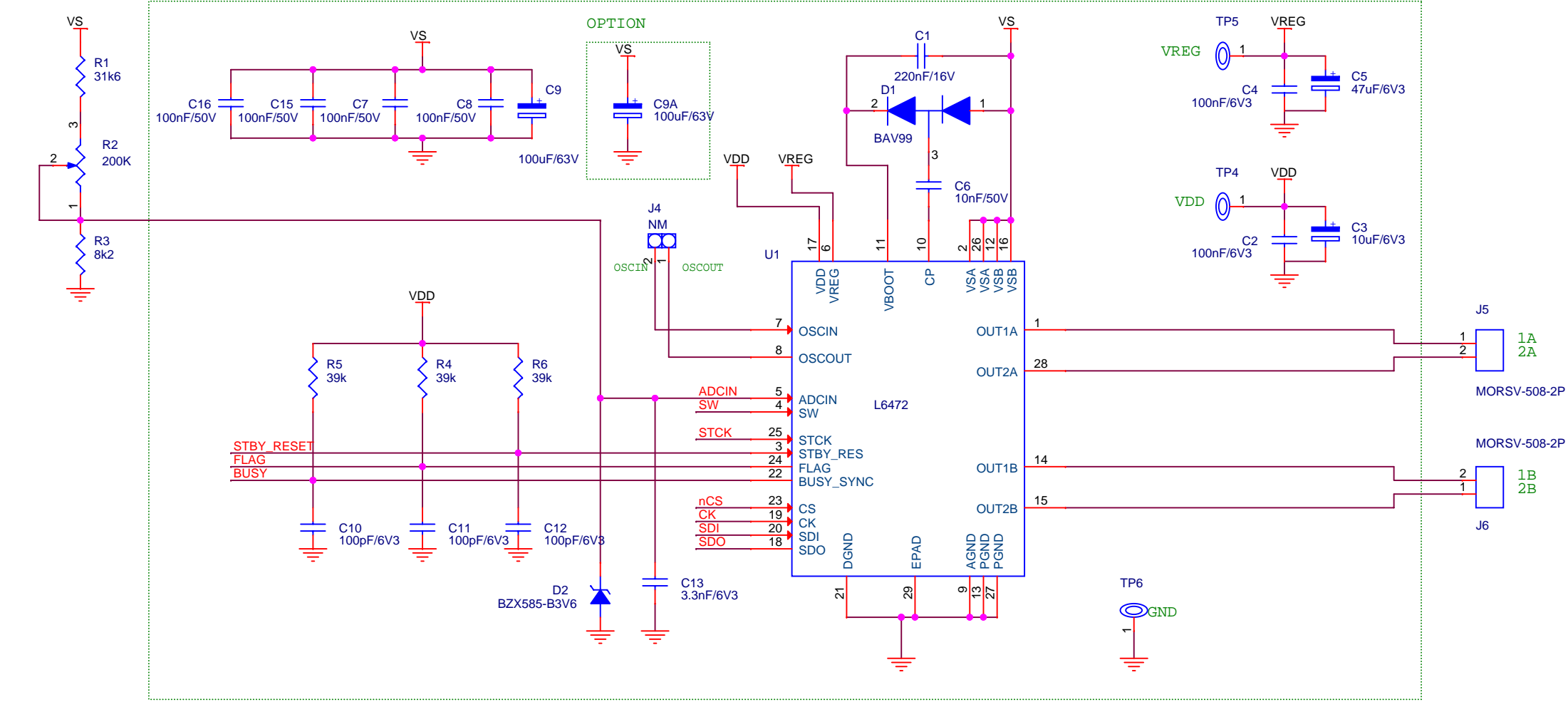


Application reference



Title		
L6472H dSPIN Demonstration board.		
Size	Document Number	Rev
A4	EVAL6472H	1.1
Date:	Tuesday, January 31, 2012	Sheet 1 of 1