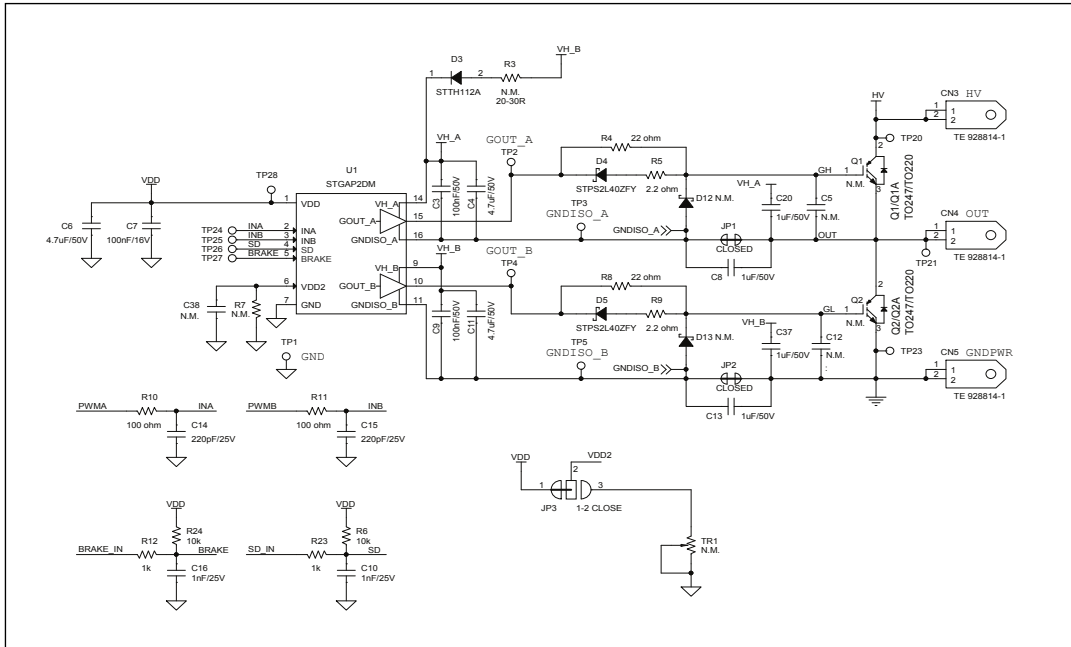


EVALSTGAP2DM circuit schematic - gate driver



EVALSTGAP2DM circuit schematic - supply, connectors and decoupling

