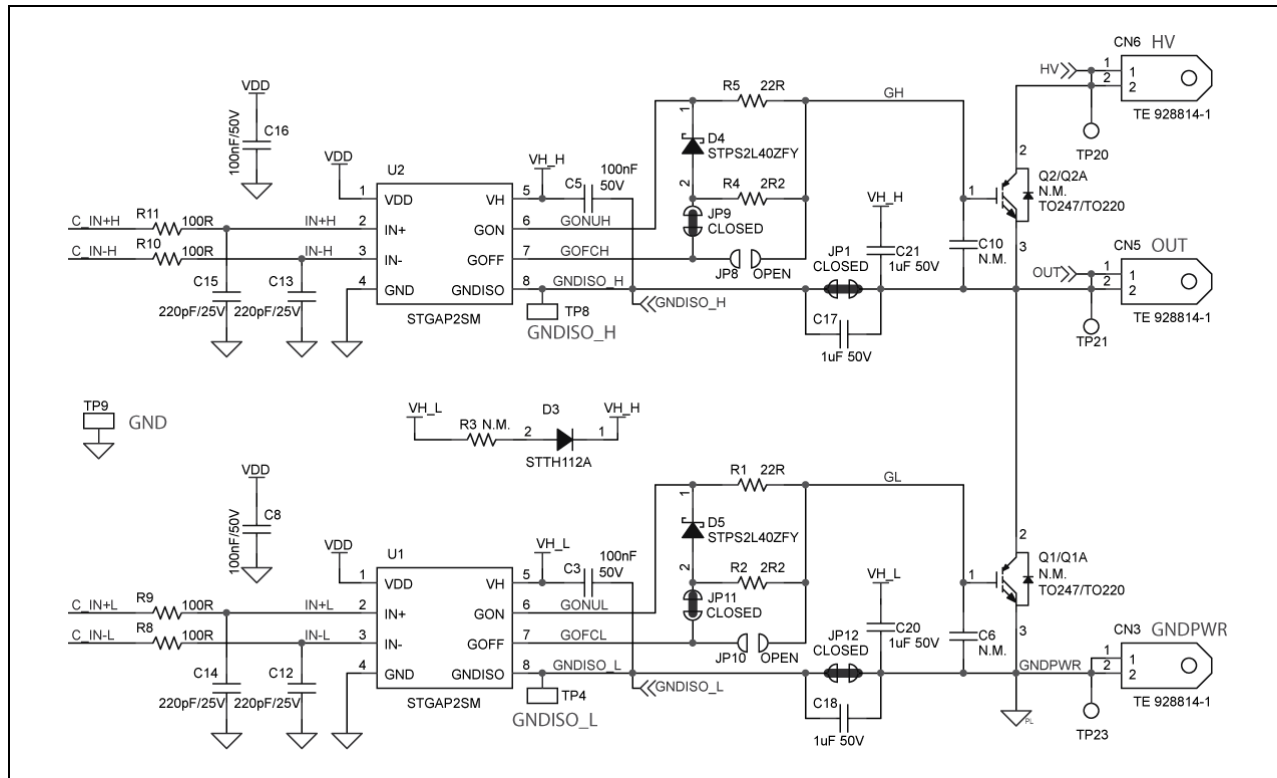
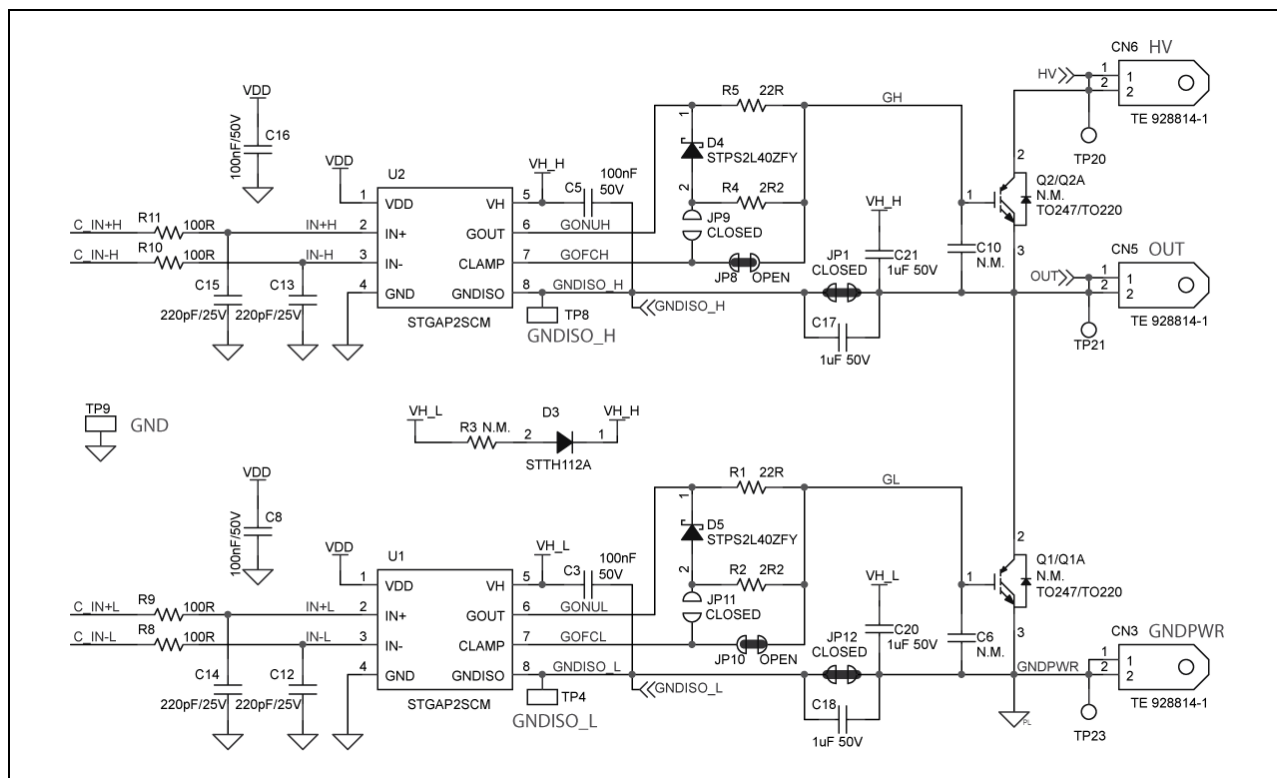


### EVALSTGAP2SM circuit schematic – gate driver with separate outputs (STGAP2SM)



### EVALSTGAP2SCM circuit schematic – gate driver with single output and Miller clamp (STGAP2SCM)



# EVALSTGAP2SCM circuit schematic – supply, connectors and decoupling

