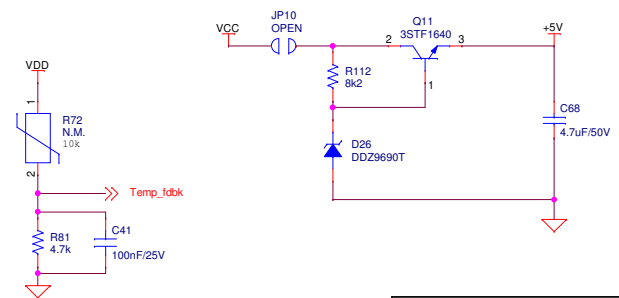
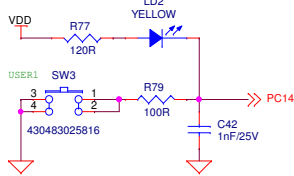
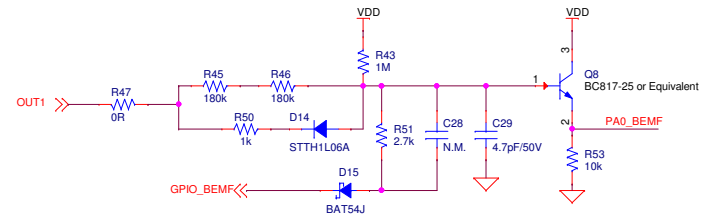
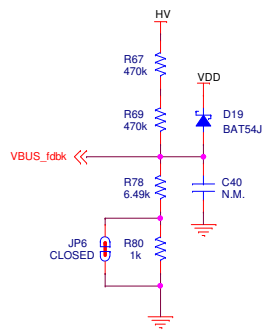
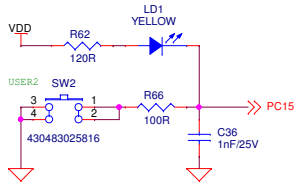
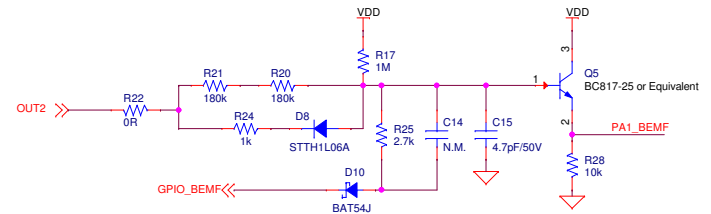
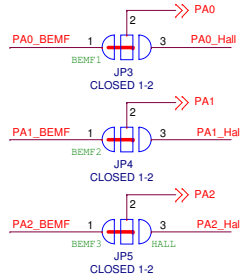
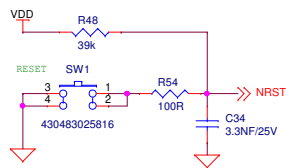
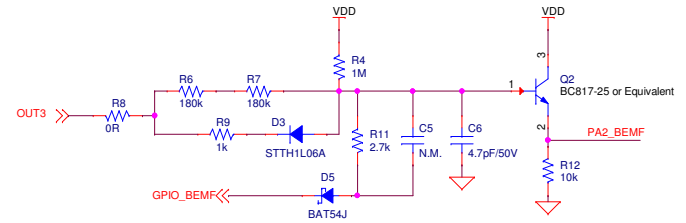
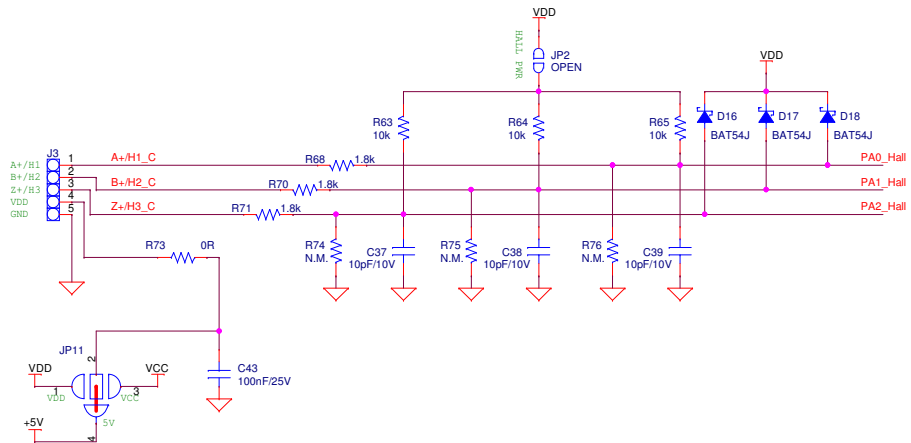
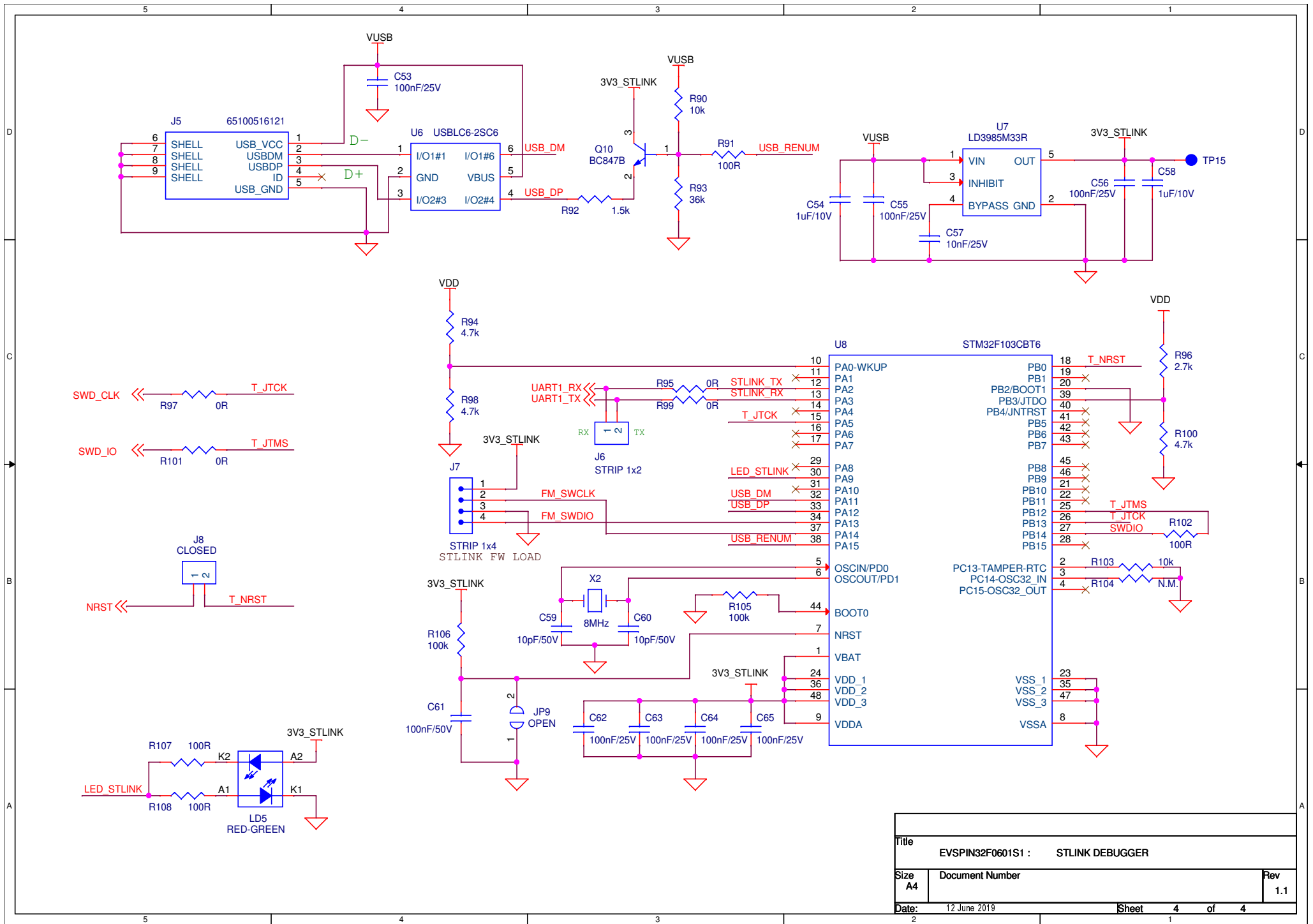


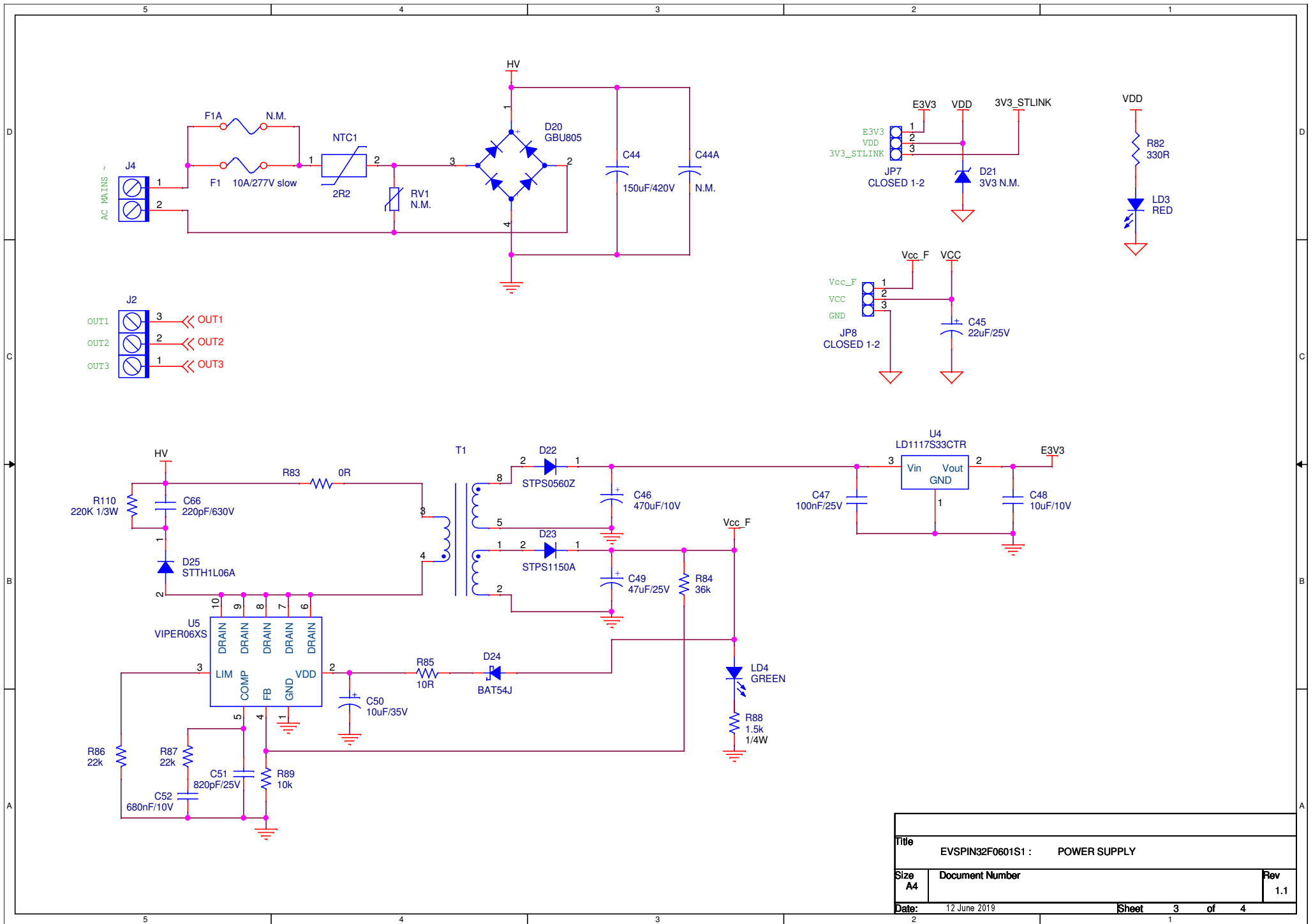
| | | |
|---|-----------------|--------------|
| Title | | |
| EVSPIN32F0601S1 : DRIVER - OUTPUT STAGE | | |
| Size | Document Number | Rev |
| A3 | | 1.1 |
| Date: | 12 June 2019 | Sheet 1 of 4 |



| | | |
|------------------------------------|-----------------|--------------|
| Title | | |
| EVSPIN32F0601S1 : FEEDBACK NETWORK | | |
| Size | Document Number | Rev |
| A3 | | 1.1 |
| Date: | 12 June 2019 | Sheet 2 of 4 |



| | | |
|-----------------------------------|-----------------|--------------|
| Title | | |
| EVSPIN32F0601S1 : STLINK DEBUGGER | | |
| Size | Document Number | Rev |
| A4 | | 1.1 |
| Date: | 12 June 2019 | Sheet 4 of 4 |



| | | | |
|---------|-----------------|--------------------------------|---------|
| Title | | EVSPIN32F0601S1 : POWER SUPPLY | |
| Size A4 | Document Number | | Rev 1.1 |
| Date: | 12 June 2019 | Sheet | 3 of 4 |