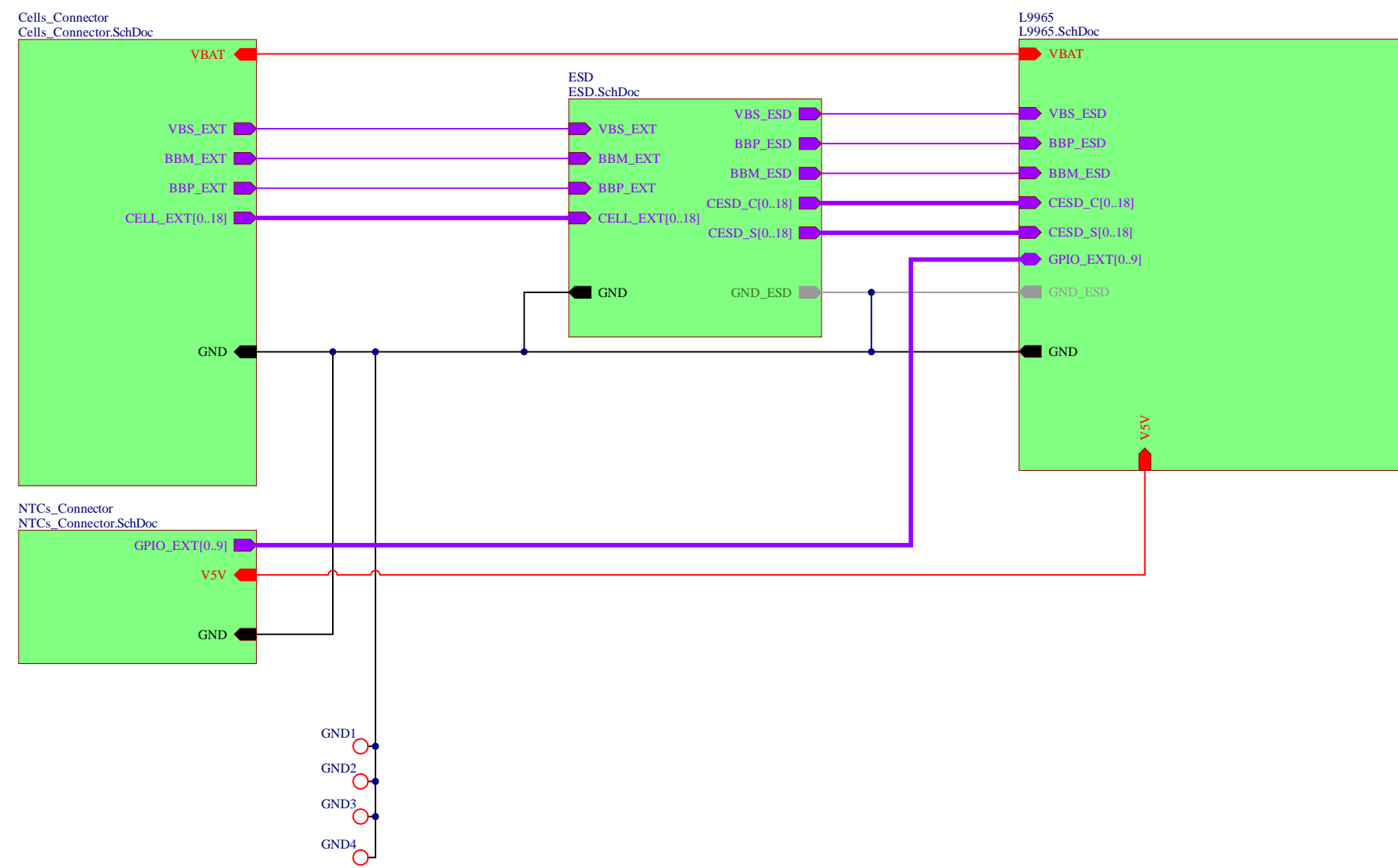


## EVL9965A R0.0 Promotional Board

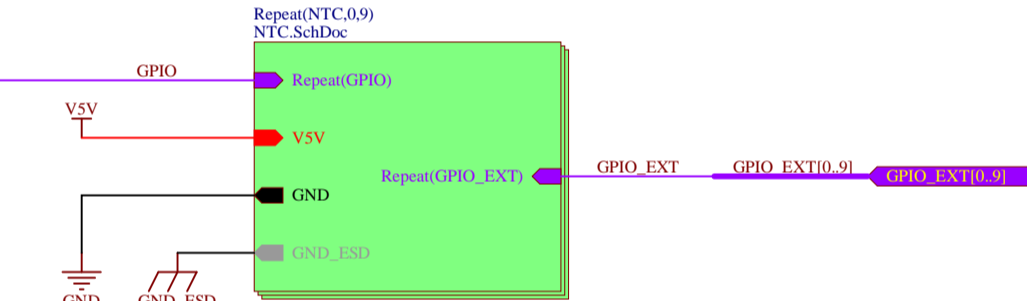
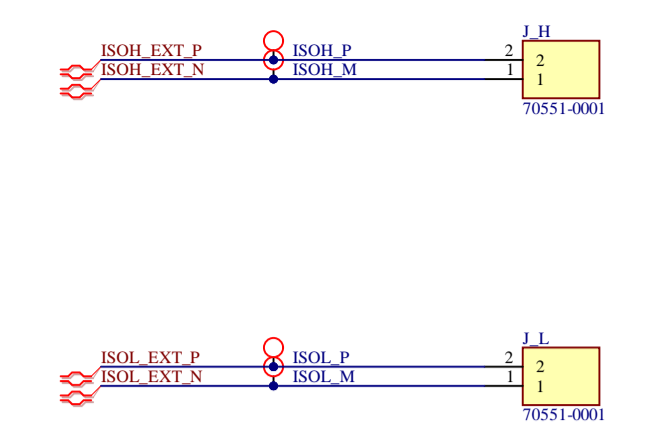
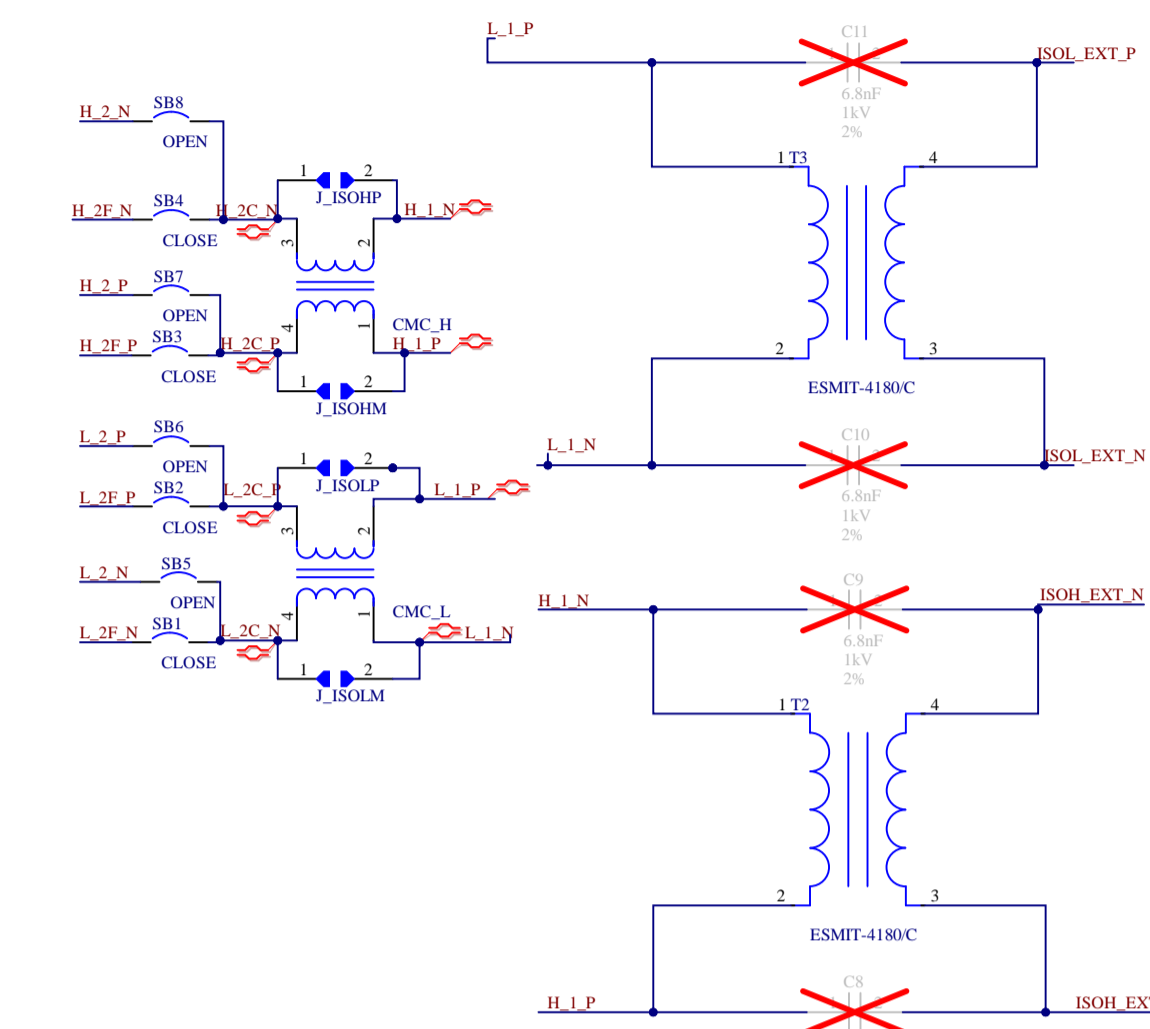
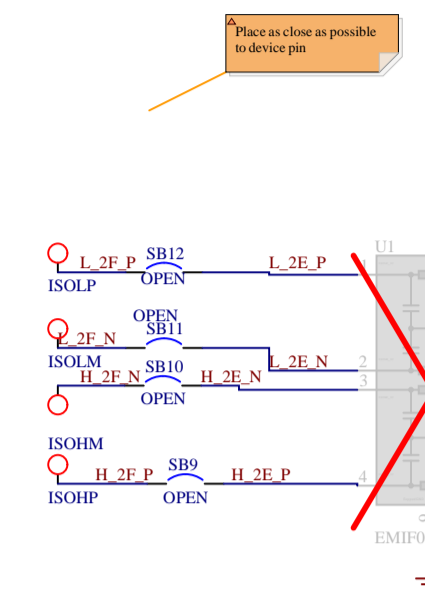
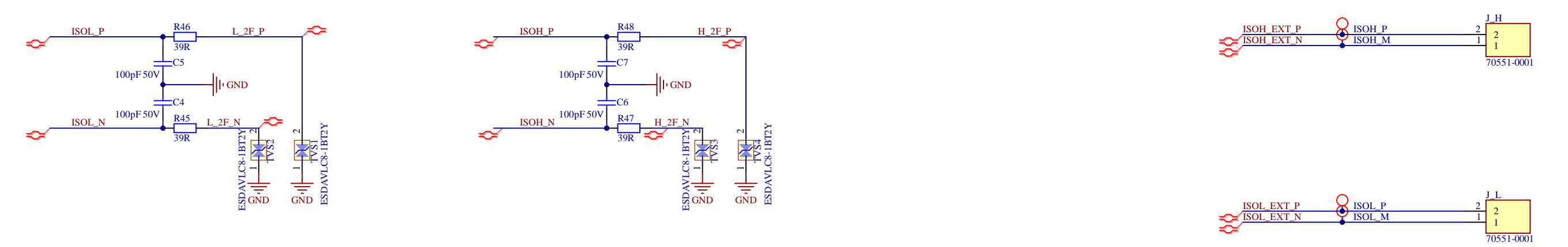
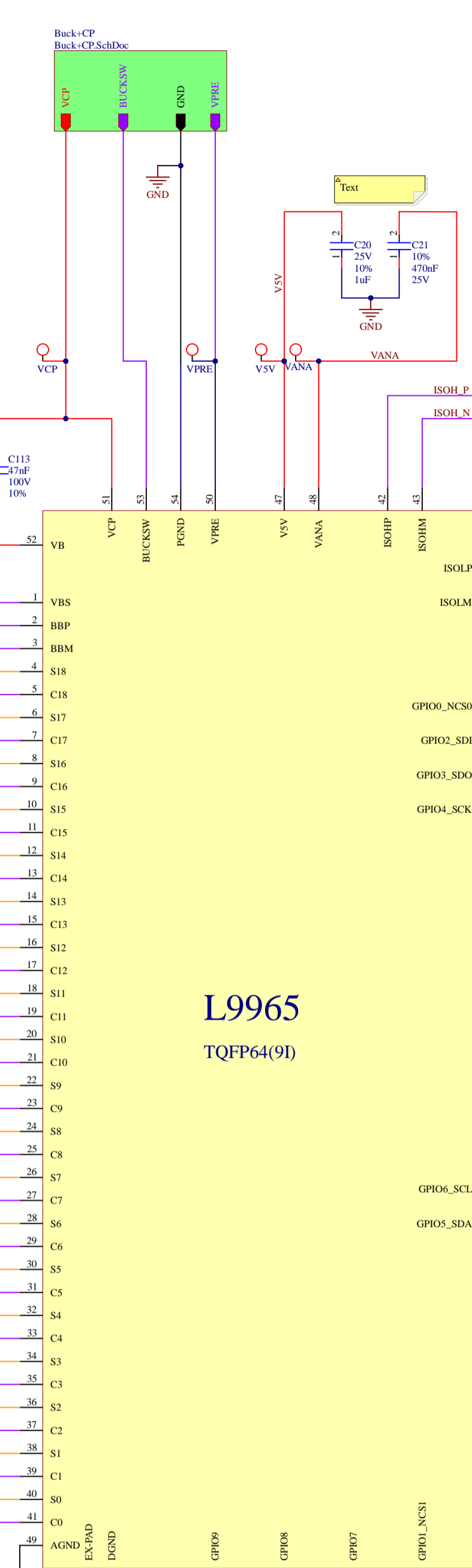
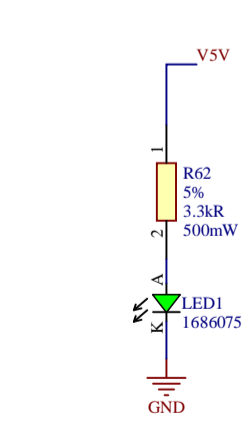
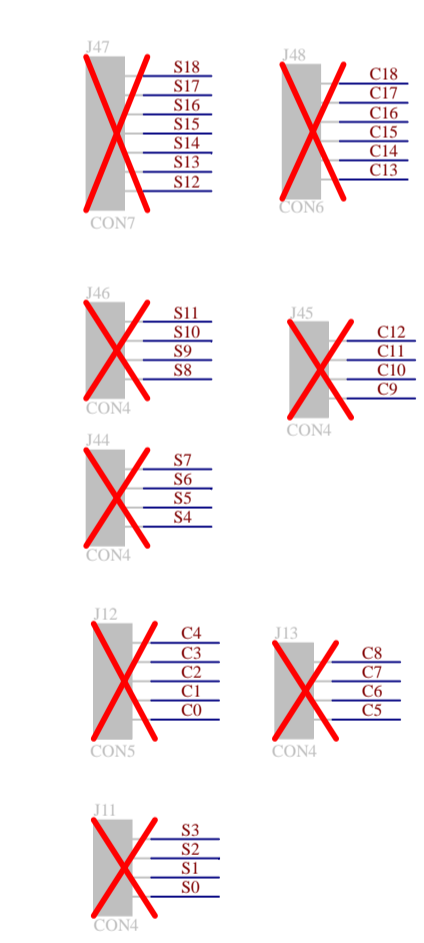
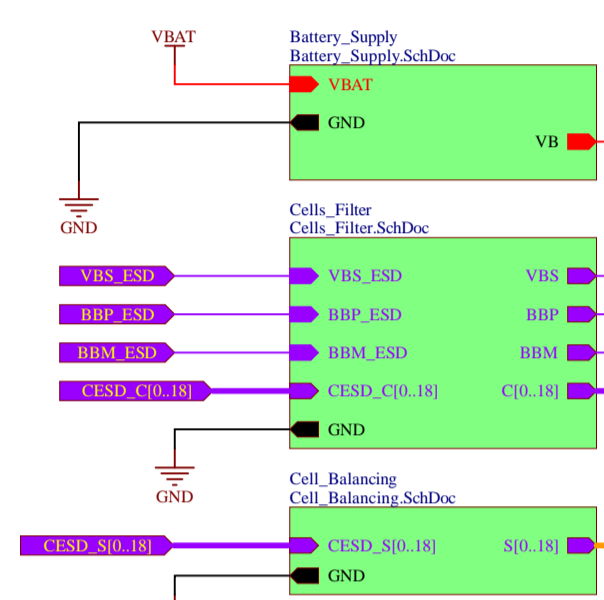


To be placed at the corner of the PCB



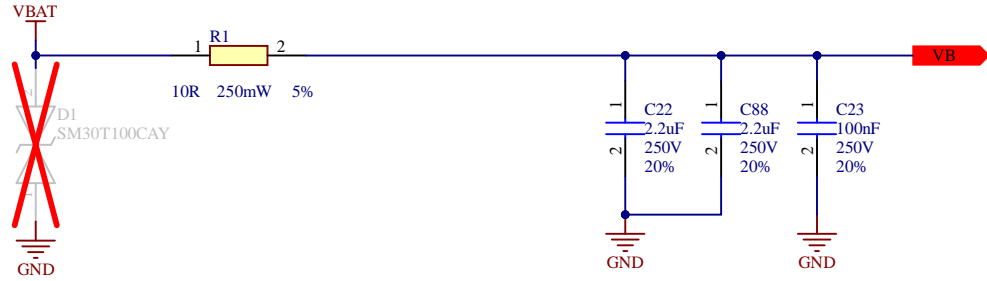
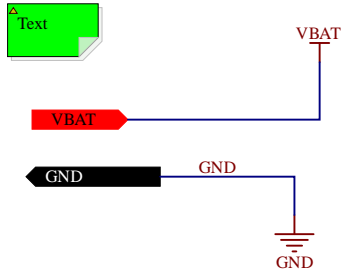
Title: <b>EVL9965A-R.0.0</b>	
Part number: <b>L9965A/L99BM218</b>	Revision: <b>R.0.0</b>
Date: <b>04/26</b>	Size: <b>A2</b>
Document name: <b>EVL9965A-R.0.0.SchDoc</b>	Sheet 1 of 10

"THE DRAWING IS PROPERTY OF ST THAT RESERVES THE RIGHTS ENACTED FROM THE LAWS"  
 "STMicroelectronics assumes no responsibility for the consequences of the use of this board"



Title: L9965	Revision: R.0.0
Part number: L9965A/L99BM218	Size: A1
Date: 04/26	Document name: L9965.SchDoc
Sheet 2 of 10	

\*THE DRAWING IS PROPERTY OF ST THAT RESERVES THE RIGHTS ENACTED FROM THE LAWS  
 "STMicroelectronics assumes no responsibility for the consequences of the use of this board"



**STMicroelectronics**  
EVL9965A/EVL99BM218

Title: **Battery Supply**

Part number: **L9965A/L99BM218**

Revision: **R.0.0**

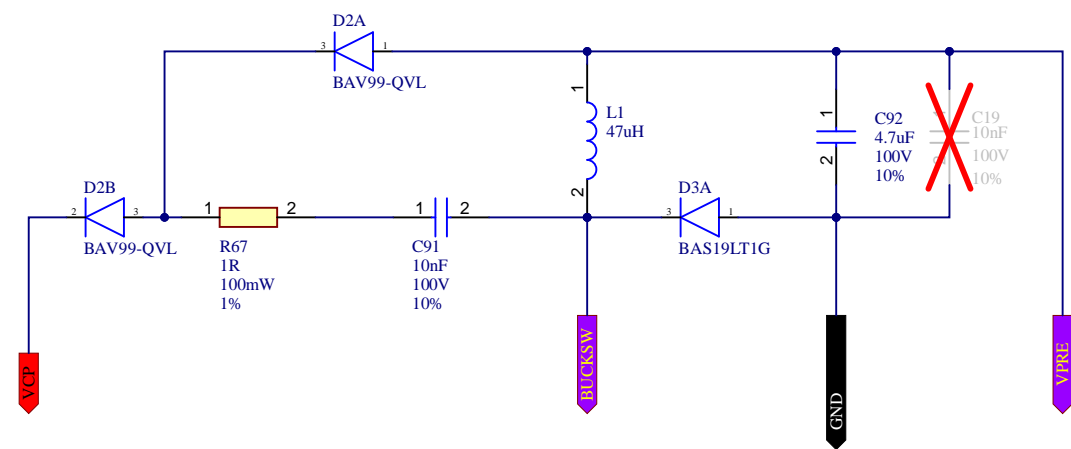
Date: **04/26**

Size: **A4**

Document name: **Battery\_Supply.SchDoc**

Sheet **3** of **10**

"THE DRAWING IS PROPERTY OF ST THAT RESERVES THE RIGHTS ENACTED FROM THE LAWS"  
"STMicroelectronics assumes no responsibility for the consequences of the use of this board"



Minimize Buck loop as best as possible



Title: <b>Buck + Charge Pump</b>	
Part number: <b>L9965A/L99BM218</b>	Revision: <b>R.0.0</b>
Date: <b>04/26</b>	Size: <b>A3</b>
Document name: <b>Buck+CP.SchDoc</b>	Sheet <b>4</b> of <b>10</b>

A

B

C

D

E

F

G

H

A

B

C

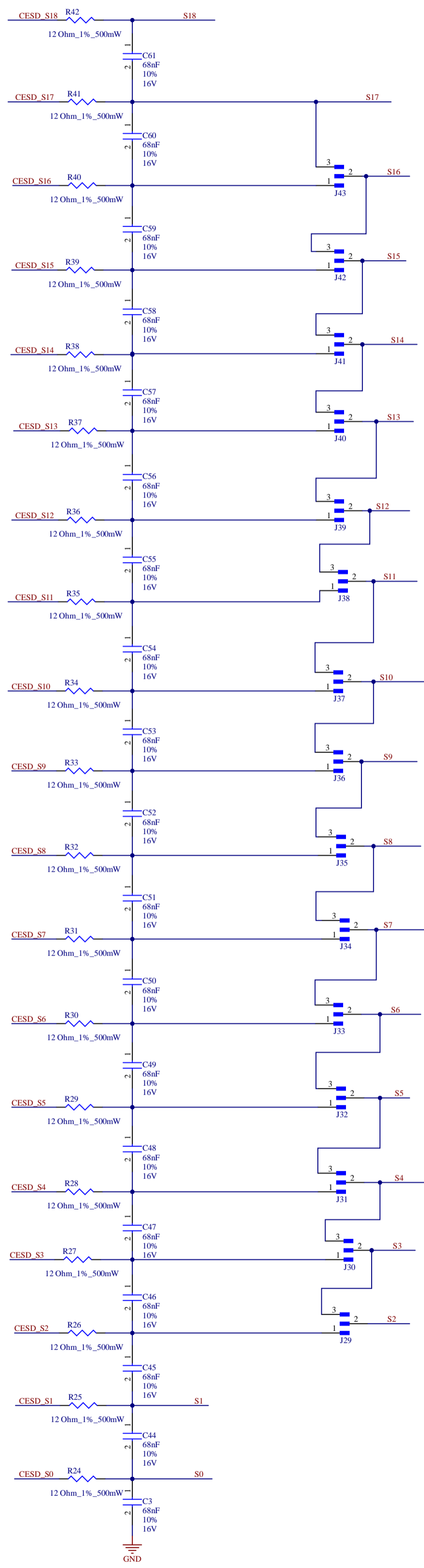
D

E

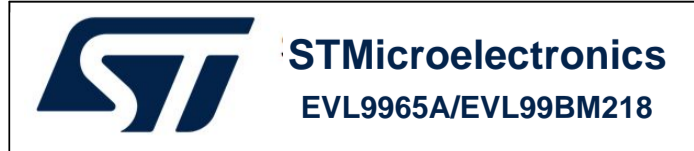
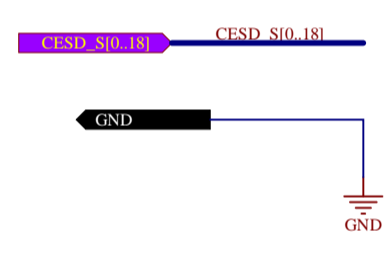
F

G

H



By default, all 0805 are connected in 1-2 position



Title: <b>Cell Balancing</b>	
Part number: <b>L9965A/L99BM218</b>	Revision: <b>R.0.0</b>
Date: <b>04/26</b>	Size: <b>A2</b>
Document name: <b>Cell_Balancing.SchDoc</b>	Sheet 5 of 10

A

B

C

D

E

F

G

H

A

B

C

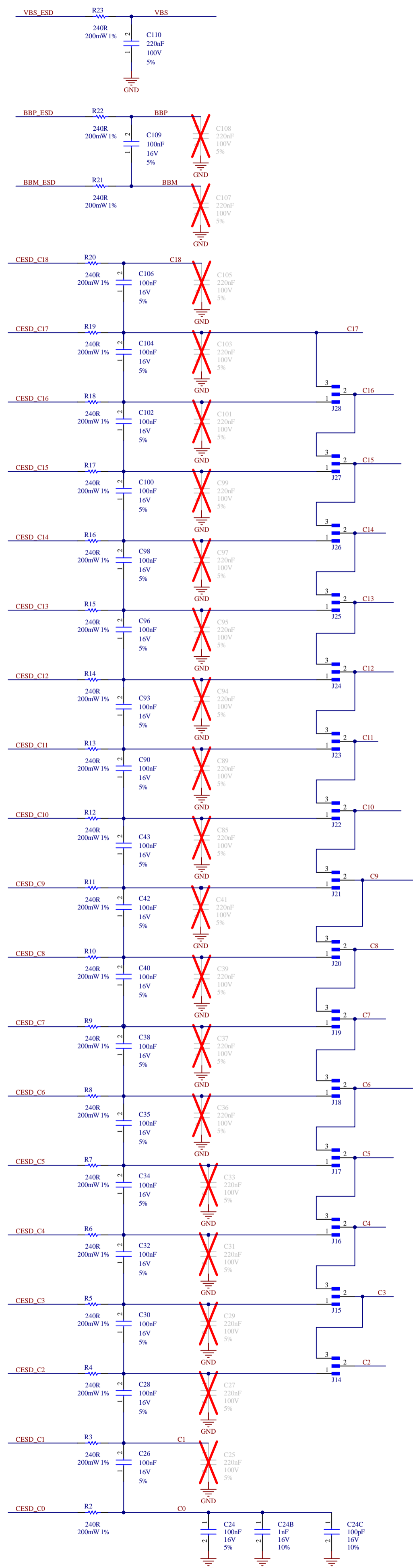
D

E

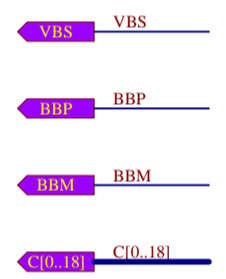
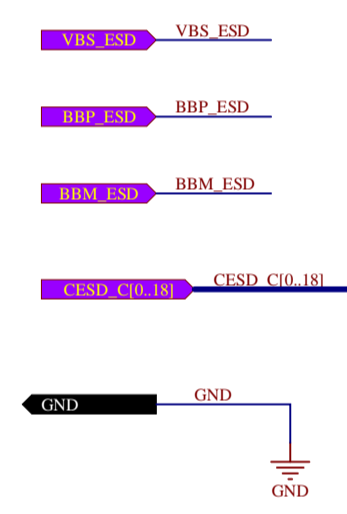
F

G

H



By default, all 0805 are connected in 1-2 position

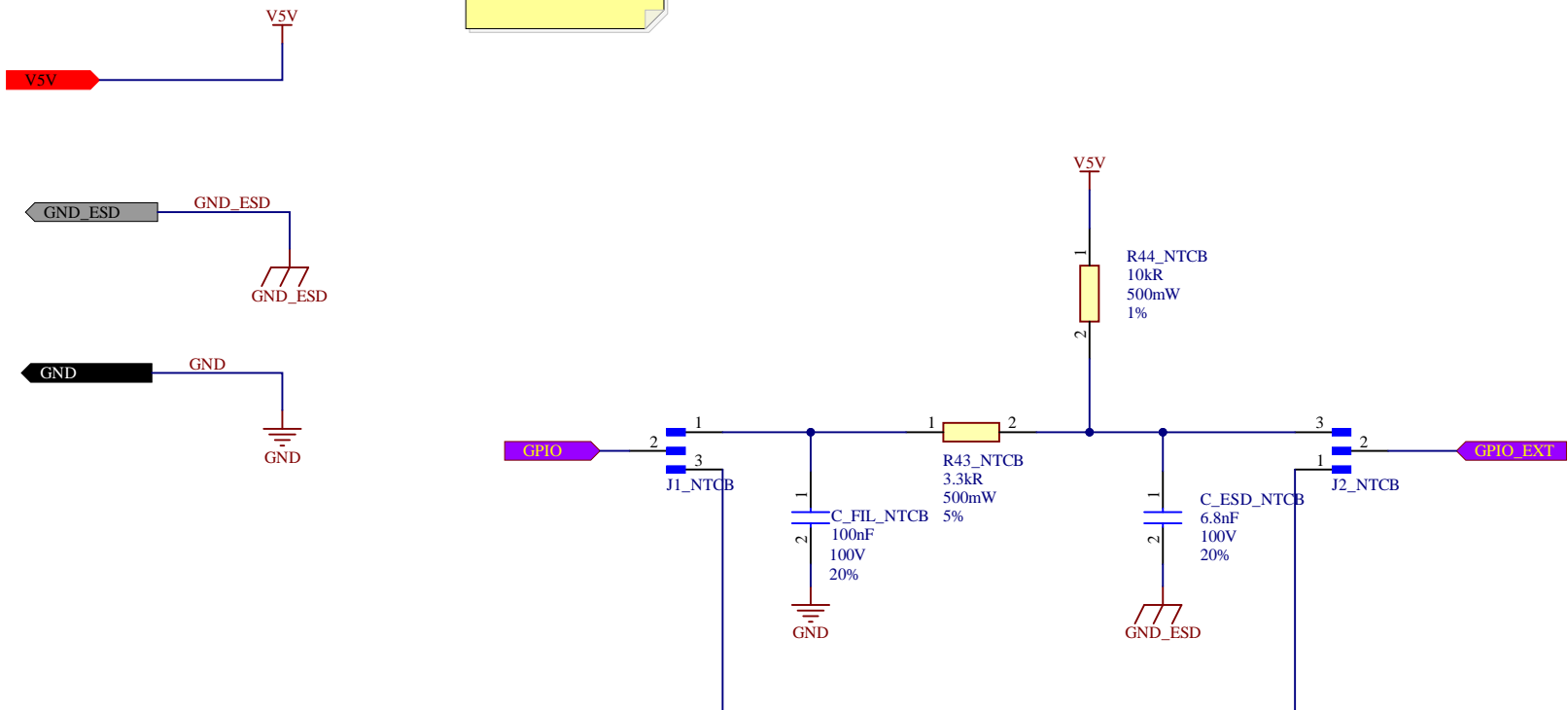


Title: Cell Filter	
Part number: L9965A/L99BM218	Revision: R.0.0
Date: 04/26	Size: A2
Document name: Cells_Filter.SchDoc	Sheet 6 of 10

Position 1-2 soldered by default for all GPIOs except for ones mapped as SPI

The power rating resistors parameter shall be sized in order to not exceed the V5V and GPIOs AMR in case of STB.  
 - 500mW with VB= 77W  
 - 1W with VB= 90V

Position 2-3 soldered by default for all GPIOs except for ones mapped as SPI



**STMicroelectronics**  
 EVL9965A/EVL99BM218

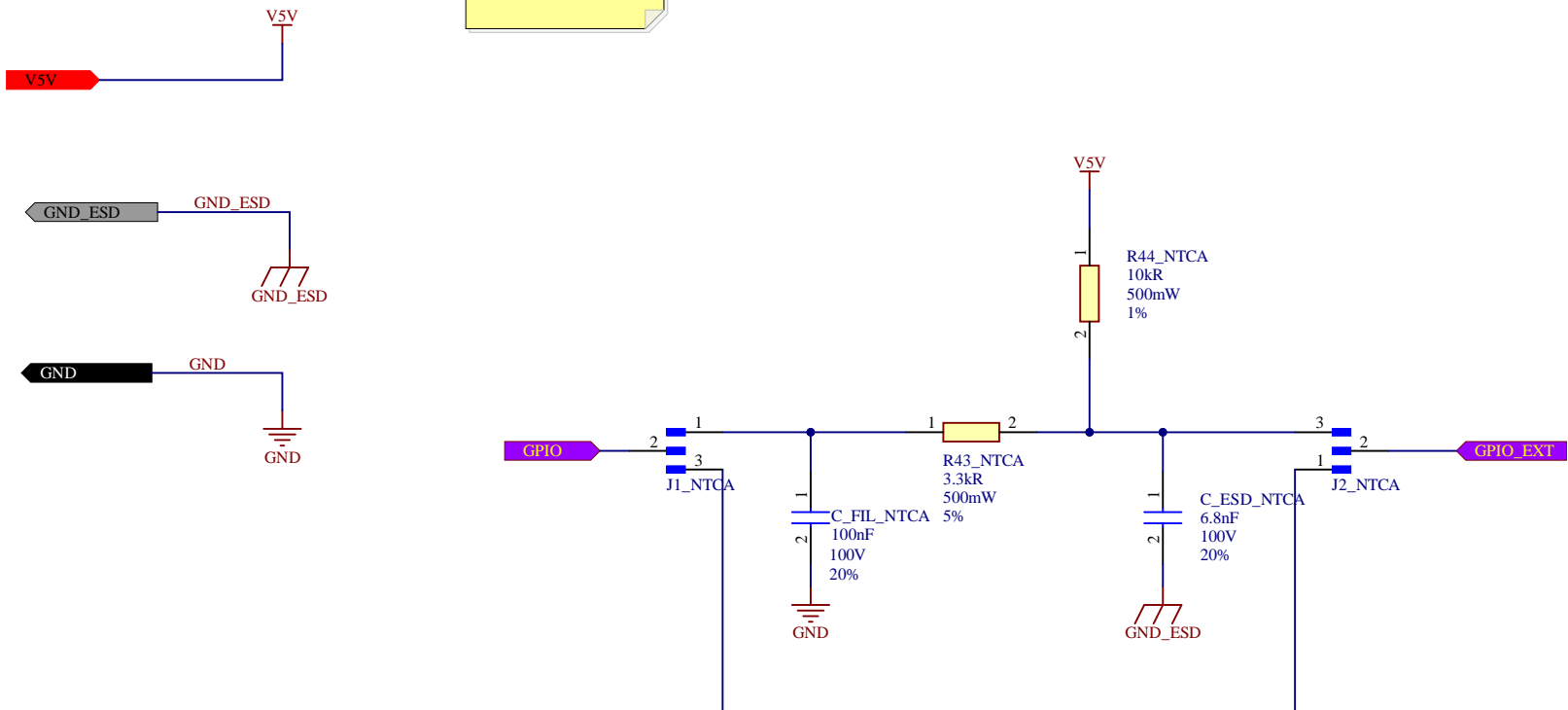
Title: <b>NTC</b>	
Part number: <b>L9965A/L99BM218</b>	Revision: <b>R.0.0</b>
Date: <b>04/26</b>	Size: <b>A4</b>
Document name: <b>NTC.SchDoc</b>	Sheet <b>7</b> of <b>10</b>

"THE DRAWING IS PROPERTY OF ST THAT RESERVES THE RIGHTS ENACTED FROM THE LAWS"  
 "STMicroelectronics assumes no responsibility for the consequences of the use of this board"

Position 1-2 soldered by default for all GPIOs except for ones mapped as SPI

The power rating resistors parameter shall be sized in order to not exceed the V5V and GPIOs AMR in case of STB.  
 - 500mW with VB= 77W  
 - 1W with VB= 90V

Position 2-3 soldered by default for all GPIOs except for ones mapped as SPI



**STMicroelectronics**  
 EVL9965A/EVL99BM218

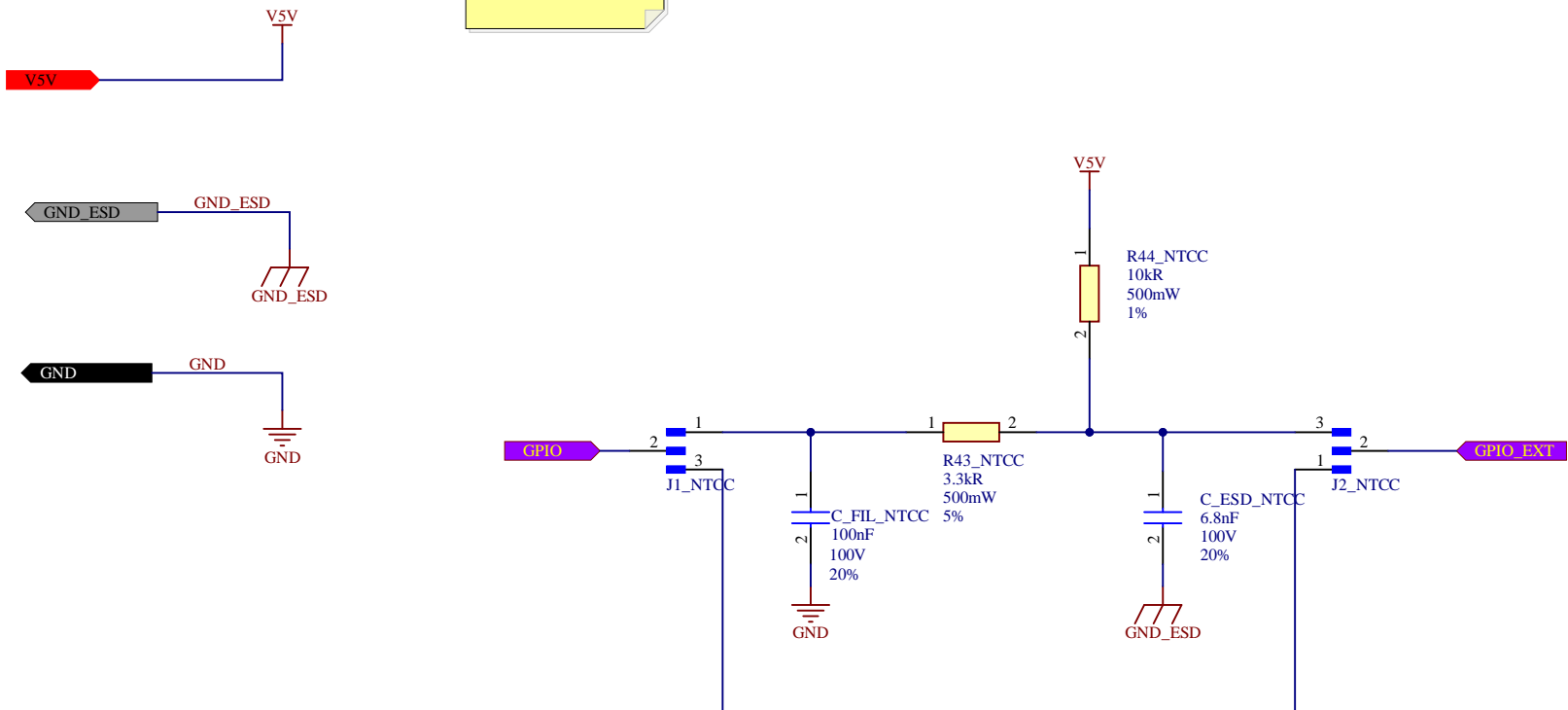
Title: <b>NTC</b>	
Part number: <b>L9965A/L99BM218</b>	Revision: <b>R.0.0</b>
Date: <b>04/26</b>	Size: <b>A4</b>
Document name: <b>NTC.SchDoc</b>	Sheet <b>7</b> of <b>10</b>

"THE DRAWING IS PROPERTY OF ST THAT RESERVES THE RIGHTS ENACTED FROM THE LAWS"  
 "STMicroelectronics assumes no responsibility for the consequences of the use of this board"

Position 1-2 soldered by default for all GPIOs except for ones mapped as SPI

The power rating resistors parameter shall be sized in order to not exceed the V5V and GPIOs AMR in case of STB.  
 - 500mW with VB= 77W  
 - 1W with VB= 90V

Position 2-3 soldered by default for all GPIOs except for ones mapped as SPI



**STMicroelectronics**  
 EVL9965A/EVL99BM218

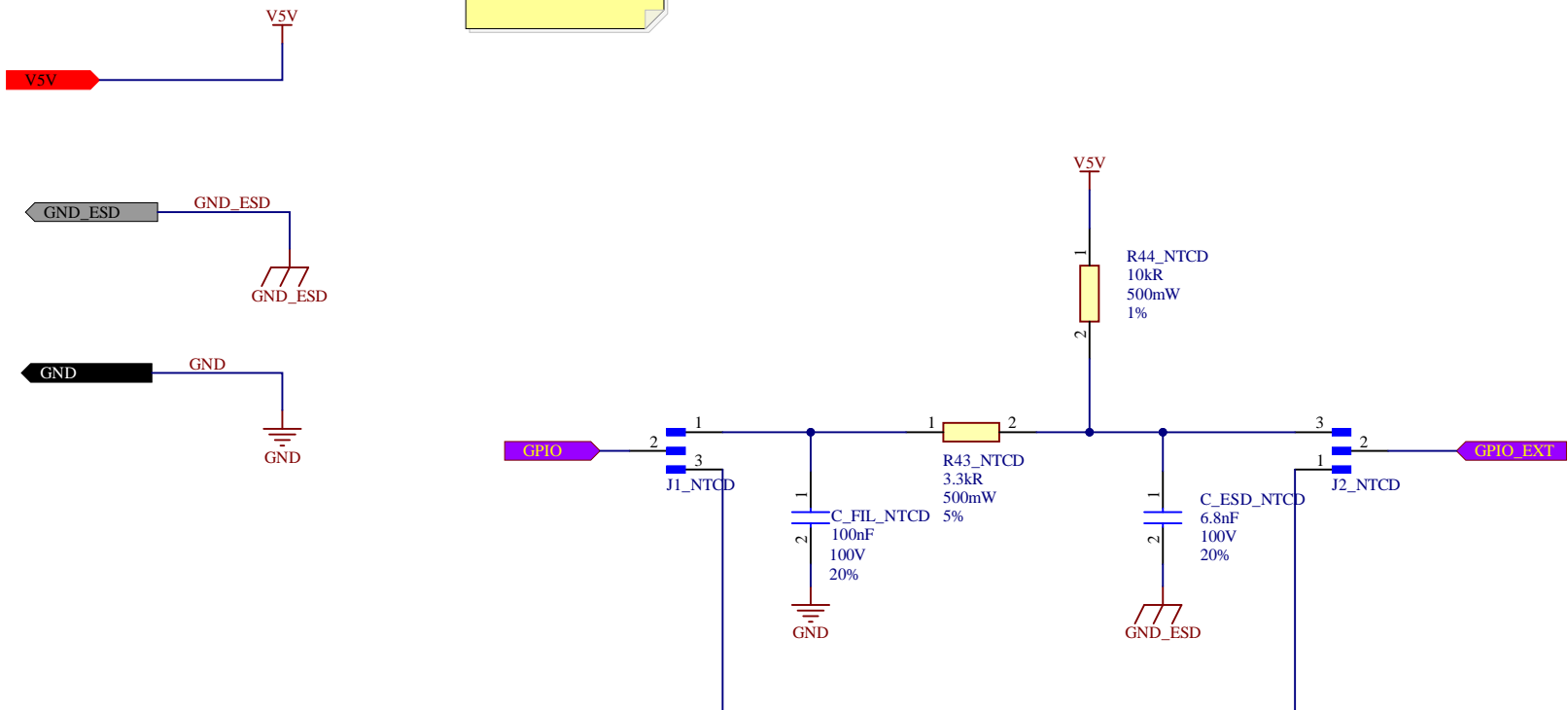
Title: <b>NTC</b>	
Part number: <b>L9965A/L99BM218</b>	Revision: <b>R.0.0</b>
Date: <b>04/26</b>	Size: <b>A4</b>
Document name: <b>NTC.SchDoc</b>	Sheet <b>7</b> of <b>10</b>

"THE DRAWING IS PROPERTY OF ST THAT RESERVES THE RIGHTS ENACTED FROM THE LAWS"  
 "STMicroelectronics assumes no responsibility for the consequences of the use of this board"

Position 1-2 soldered by default for all GPIOs except for ones mapped as SPI

The power rating resistors parameter shall be sized in order to not exceed the V5V and GPIOs AMR in case of STB.  
 - 500mW with VB= 77W  
 - 1W with VB= 90V

Position 2-3 soldered by default for all GPIOs except for ones mapped as SPI



**STMicroelectronics**  
 EVL9965A/EVL99BM218

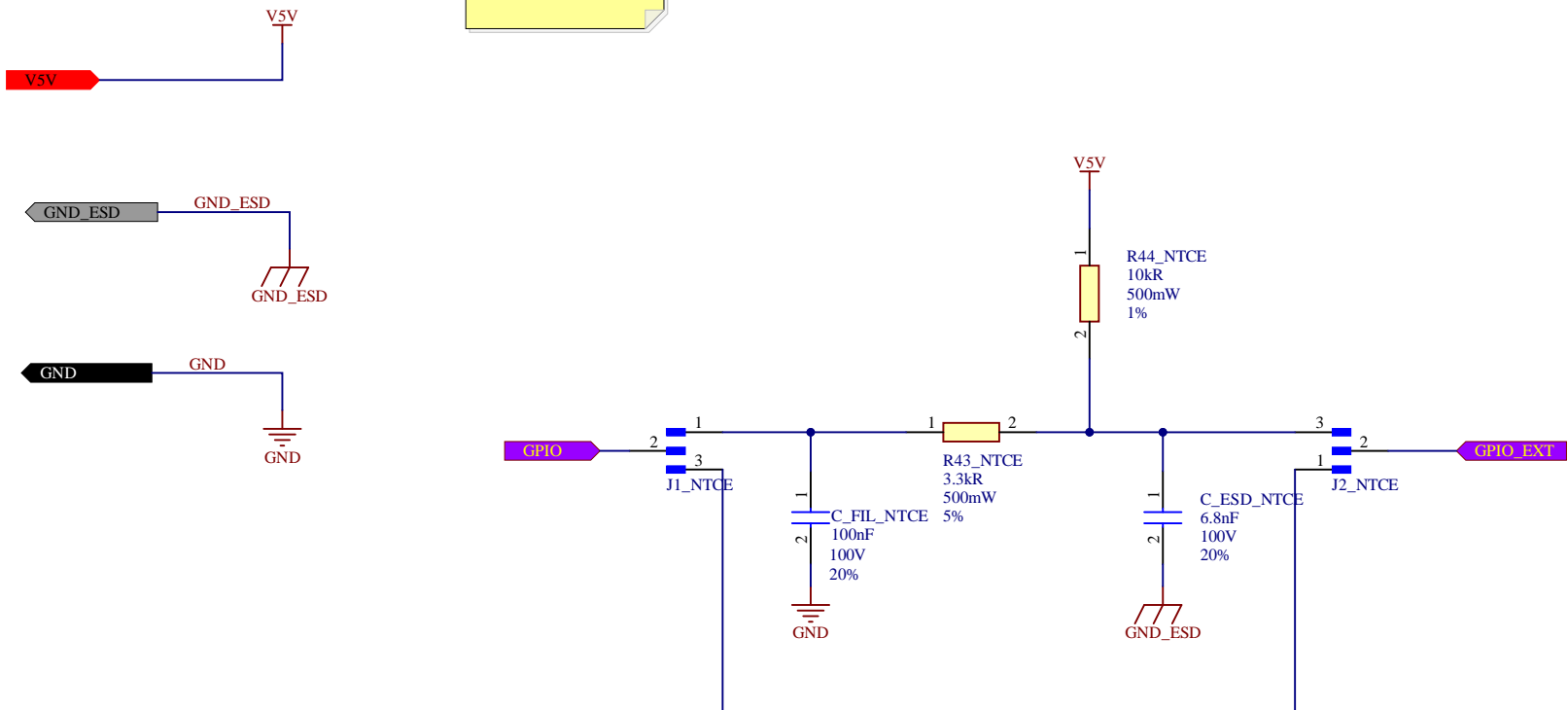
Title: <b>NTC</b>	
Part number: <b>L9965A/L99BM218</b>	Revision: <b>R.0.0</b>
Date: <b>04/26</b>	Size: <b>A4</b>
Document name: <b>NTC.SchDoc</b>	Sheet <b>7</b> of <b>10</b>

"THE DRAWING IS PROPERTY OF ST THAT RESERVES THE RIGHTS ENACTED FROM THE LAWS"  
 "STMicroelectronics assumes no responsibility for the consequences of the use of this board"

Position 1-2 soldered by default for all GPIOs except for ones mapped as SPI

The power rating resistors parameter shall be sized in order to not exceed the V5V and GPIOs AMR in case of STB.  
 - 500mW with VB= 77W  
 - 1W with VB= 90V

Position 2-3 soldered by default for all GPIOs except for ones mapped as SPI



**STMicroelectronics**  
 EVL9965A/EVL99BM218

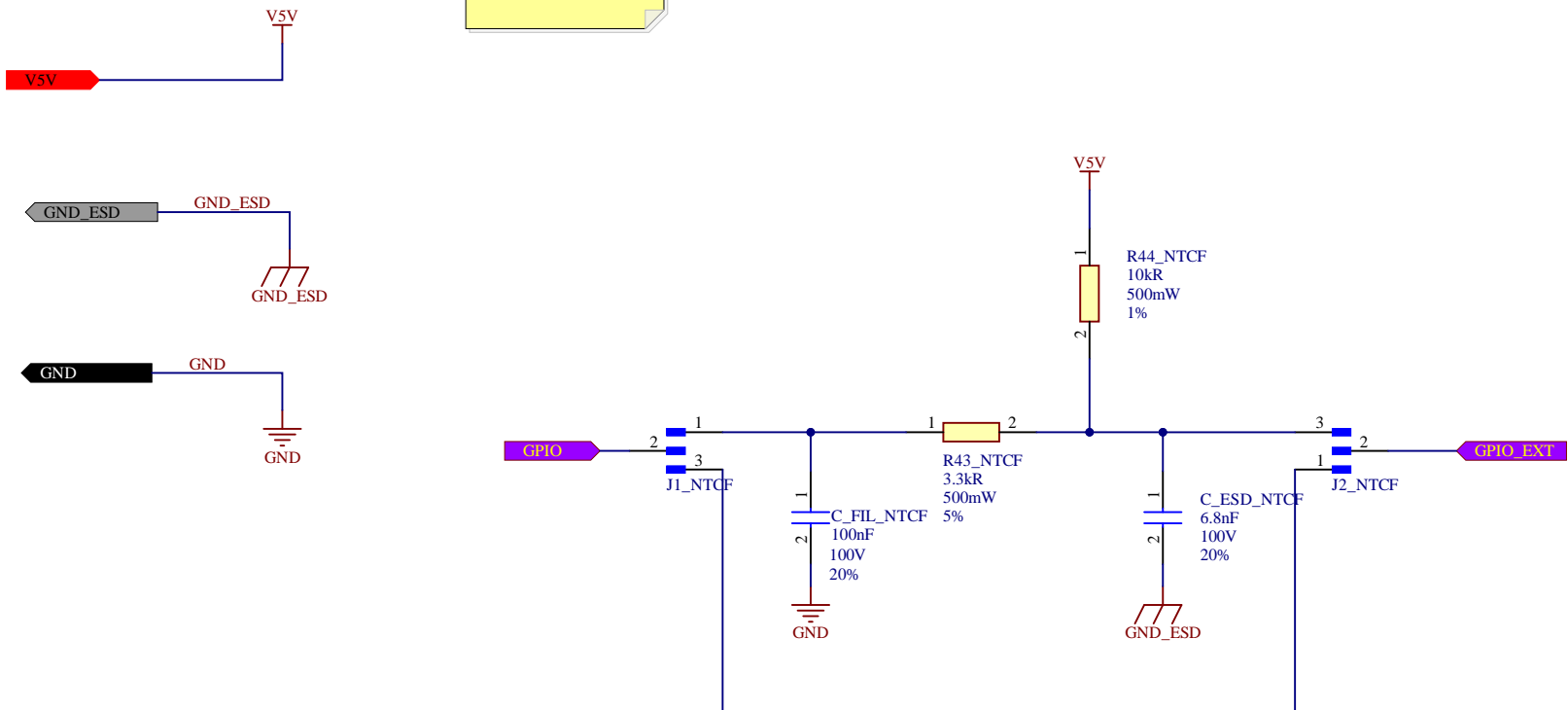
Title: <b>NTC</b>	
Part number: <b>L9965A/L99BM218</b>	Revision: <b>R.0.0</b>
Date: <b>04/26</b>	Size: <b>A4</b>
Document name: <b>NTC.SchDoc</b>	Sheet <b>7</b> of <b>10</b>

"THE DRAWING IS PROPERTY OF ST THAT RESERVES THE RIGHTS ENACTED FROM THE LAWS"  
 "STMicroelectronics assumes no responsibility for the consequences of the use of this board"

Position 1-2 soldered by default for all GPIOs except for ones mapped as SPI

The power rating resistors parameter shall be sized in order to not exceed the V5V and GPIOs AMR in case of STB.  
 - 500mW with VB= 77W  
 - 1W with VB= 90V

Position 2-3 soldered by default for all GPIOs except for ones mapped as SPI



**STMicroelectronics**  
 EVL9965A/EVL99BM218

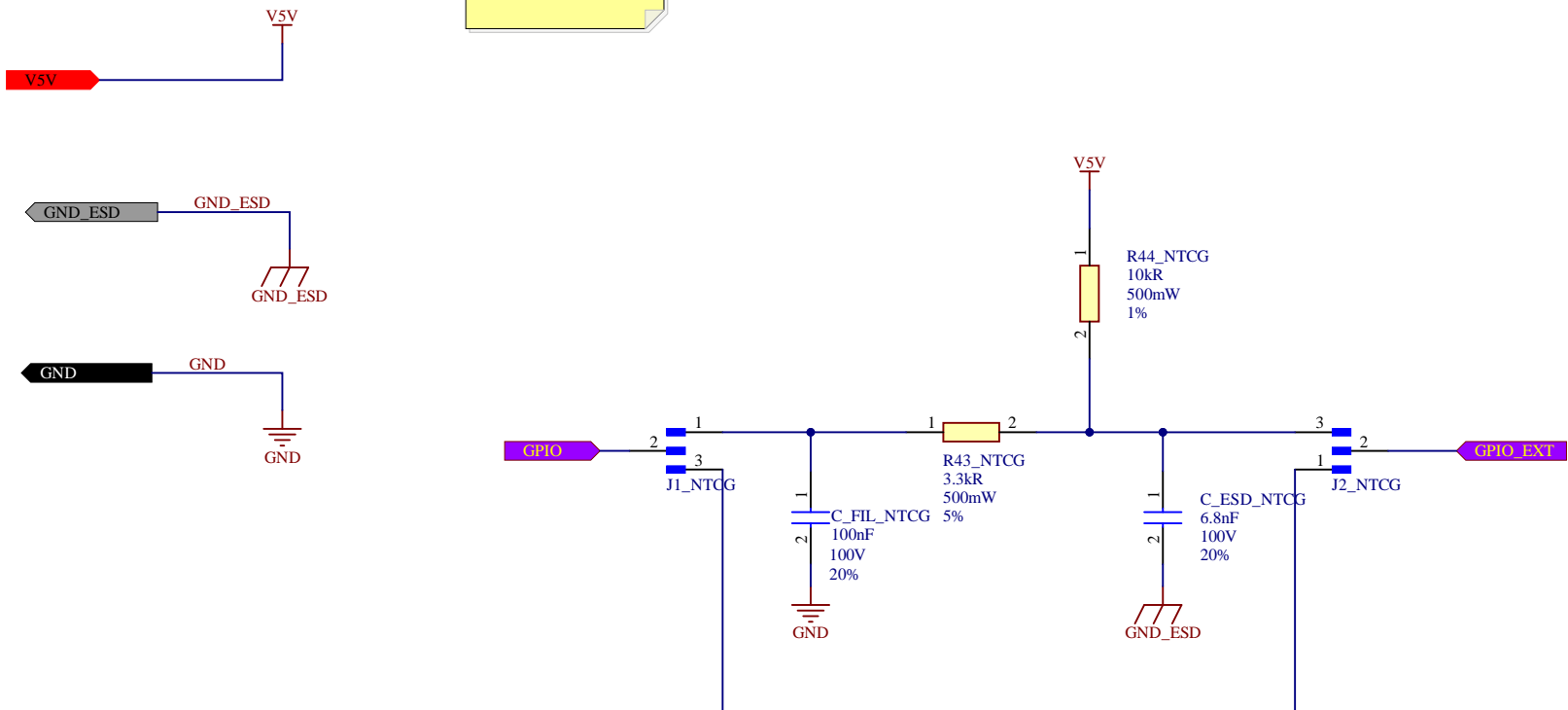
Title: <b>NTC</b>	
Part number: <b>L9965A/L99BM218</b>	Revision: <b>R.0.0</b>
Date: <b>04/26</b>	Size: <b>A4</b>
Document name: <b>NTC.SchDoc</b>	Sheet <b>7</b> of <b>10</b>

"THE DRAWING IS PROPERTY OF ST THAT RESERVES THE RIGHTS ENACTED FROM THE LAWS"  
 "STMicroelectronics assumes no responsibility for the consequences of the use of this board"

Position 1-2 soldered by default for all GPIOs except for ones mapped as SPI

The power rating resistors parameter shall be sized in order to not exceed the V5V and GPIOs AMR in case of STB.  
 - 500mW with VB= 77W  
 - 1W with VB= 90V

Position 2-3 soldered by default for all GPIOs except for ones mapped as SPI



**STMicroelectronics**  
 EVL9965A/EVL99BM218

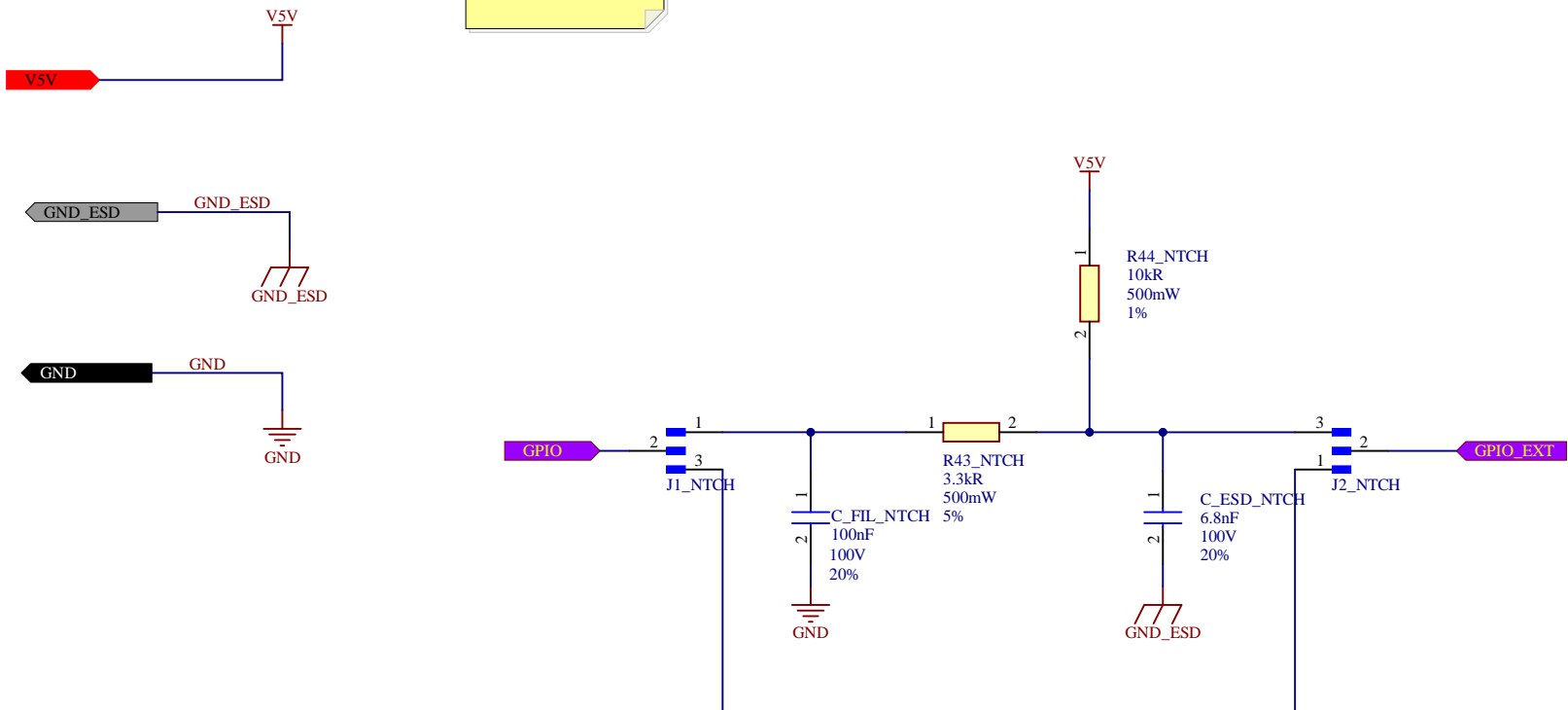
Title: <b>NTC</b>	
Part number: <b>L9965A/L99BM218</b>	Revision: <b>R.0.0</b>
Date: <b>04/26</b>	Size: <b>A4</b>
Document name: <b>NTC.SchDoc</b>	Sheet <b>7</b> of <b>10</b>

"THE DRAWING IS PROPERTY OF ST THAT RESERVES THE RIGHTS ENACTED FROM THE LAWS"  
 "STMicroelectronics assumes no responsibility for the consequences of the use of this board"

Position 1-2 soldered by default for all GPIOs except for ones mapped as SPI

The power rating resistors parameter shall be sized in order to not exceed the V5V and GPIOs AMR in case of STB.  
 - 500mW with VB= 77W  
 - 1W with VB= 90V

Position 2-3 soldered by default for all GPIOs except for ones mapped as SPI



**STMicroelectronics**  
 EVL9965A/EVL99BM218

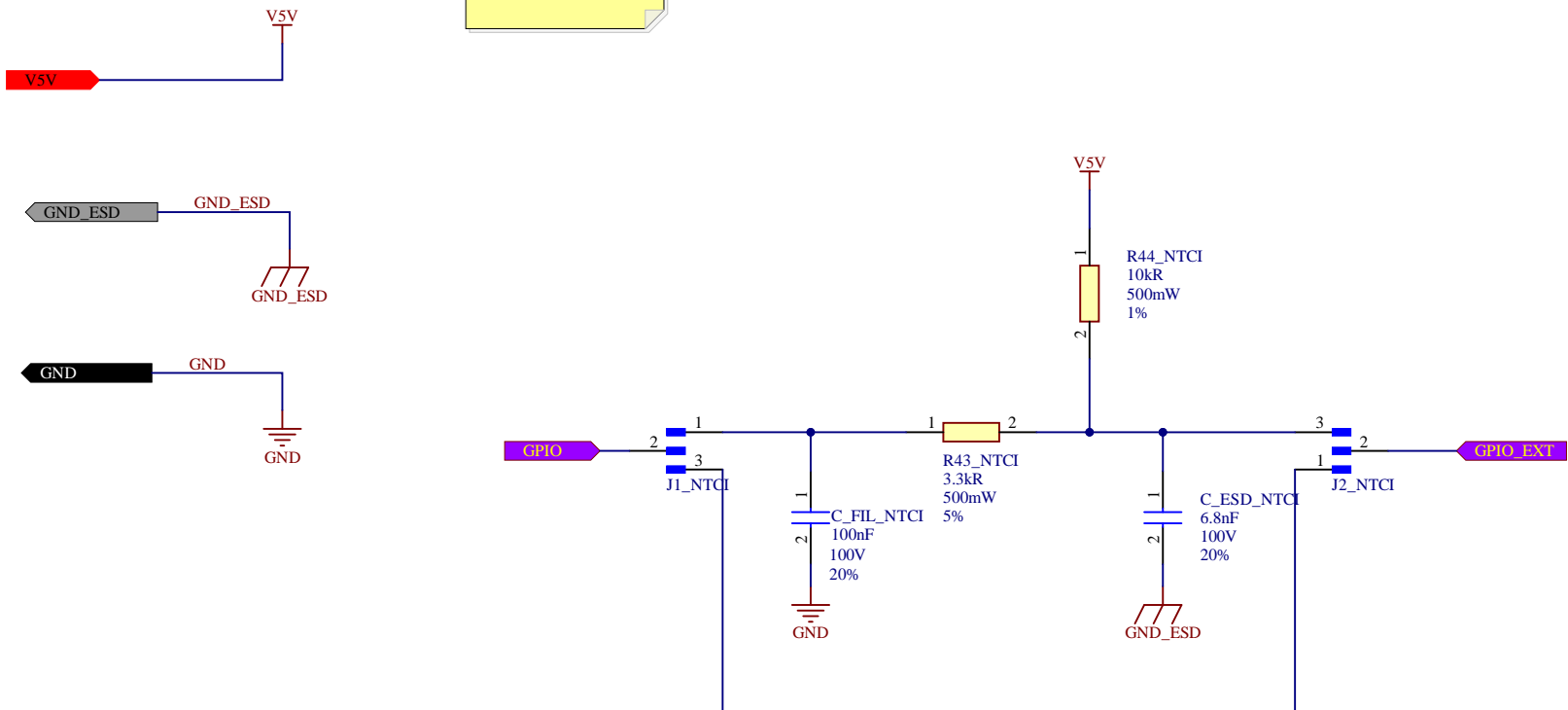
Title: <b>NTC</b>	
Part number: <b>L9965A/L99BM218</b>	Revision: <b>R.0.0</b>
Date: <b>04/26</b>	Size: <b>A4</b>
Document name: <b>NTC.SchDoc</b>	Sheet <b>7</b> of <b>10</b>

"THE DRAWING IS PROPERTY OF ST THAT RESERVES THE RIGHTS ENACTED FROM THE LAWS"  
 "STMicroelectronics assumes no responsibility for the consequences of the use of this board"

Position 1-2 soldered by default for all GPIOs except for ones mapped as SPI

The power rating resistors parameter shall be sized in order to not exceed the V5V and GPIOs AMR in case of STB.  
 - 500mW with VB= 77W  
 - 1W with VB= 90V

Position 2-3 soldered by default for all GPIOs except for ones mapped as SPI



**STMicroelectronics**  
 EVL9965A/EVL99BM218

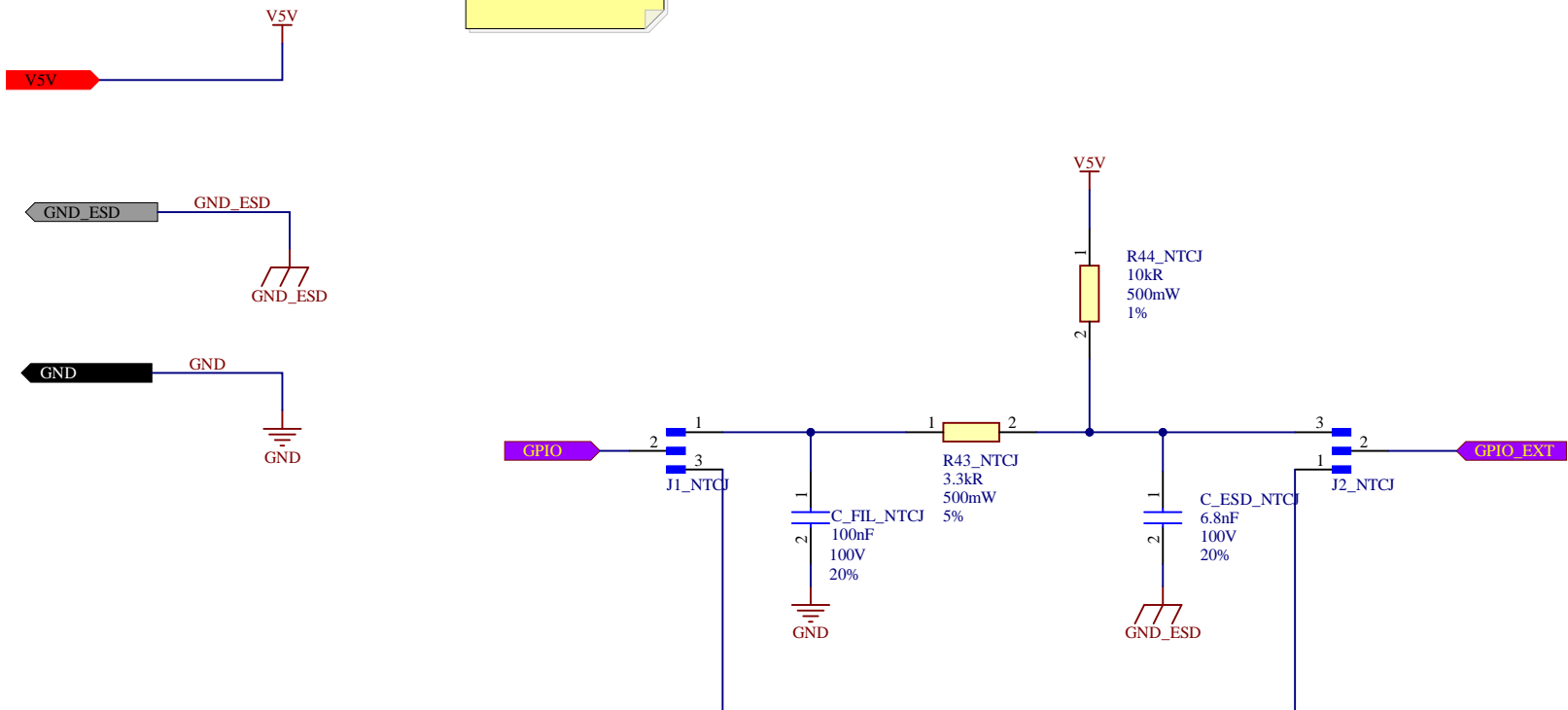
Title: <b>NTC</b>	
Part number: <b>L9965A/L99BM218</b>	Revision: <b>R.0.0</b>
Date: <b>04/26</b>	Size: <b>A4</b>
Document name: <b>NTC.SchDoc</b>	Sheet <b>7</b> of <b>10</b>

"THE DRAWING IS PROPERTY OF ST THAT RESERVES THE RIGHTS ENACTED FROM THE LAWS"  
 "STMicroelectronics assumes no responsibility for the consequences of the use of this board"

Position 1-2 soldered by default for all GPIOs except for ones mapped as SPI

The power rating resistors parameter shall be sized in order to not exceed the V5V and GPIOs AMR in case of STB.  
 - 500mW with VB= 77W  
 - 1W with VB= 90V

Position 2-3 soldered by default for all GPIOs except for ones mapped as SPI



**STMicroelectronics**  
 EVL9965A/EVL99BM218

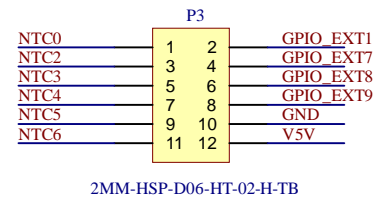
Title: <b>NTC</b>	
Part number: <b>L9965A/L99BM218</b>	Revision: <b>R.0.0</b>
Date: <b>04/26</b>	Size: <b>A4</b>
Document name: <b>NTC.SchDoc</b>	Sheet <b>7</b> of <b>10</b>

"THE DRAWING IS PROPERTY OF ST THAT RESERVES THE RIGHTS ENACTED FROM THE LAWS"  
 "STMicroelectronics assumes no responsibility for the consequences of the use of this board"

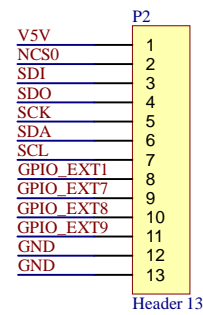
Text

SPARE PARTS IN  
BLISTER:511101250

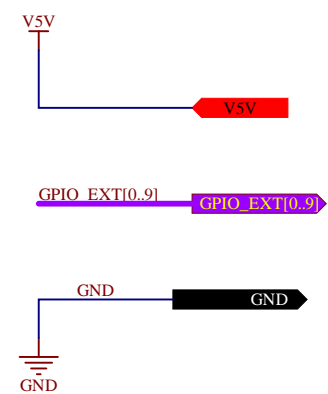
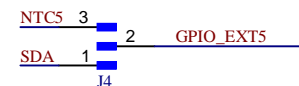
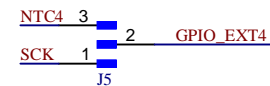
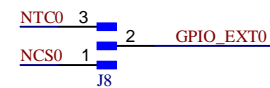
For the SPI pins close 1-2. For the  
other ones close 2-3  
(SPI:EXT0,EXT2,EXT3,EXT4)



2MM-HSP-D06-HT-02-H-TB



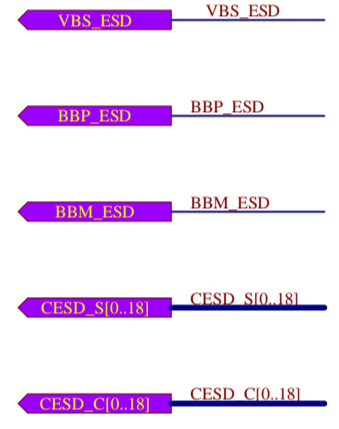
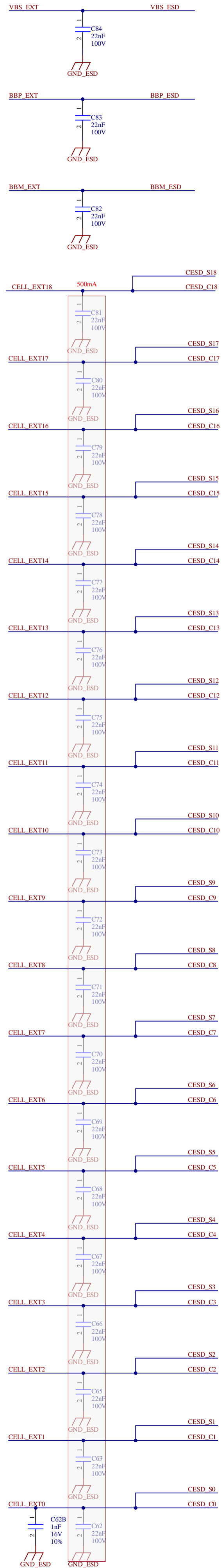
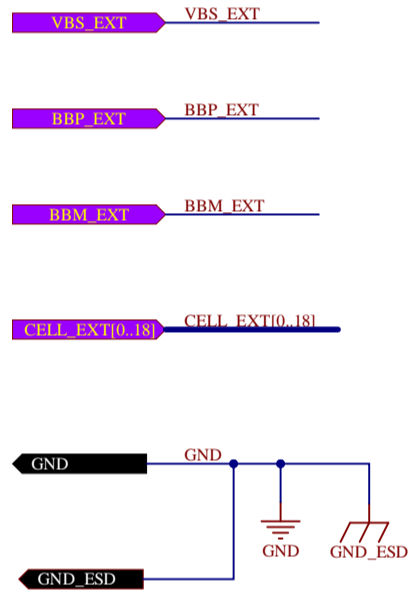
Header 13



Title: <b>NTC Connector</b>	
Part number: <b>L9965A/L99BM218</b>	Revision: <b>R.0.0</b>
Date: <b>04/26</b>	Size: <b>A3</b>
Document name: <b>NTCs_Connector.SchDoc</b>	Sheet <b>8</b> of <b>10</b>

Test

Should be placed close to the cell input connector

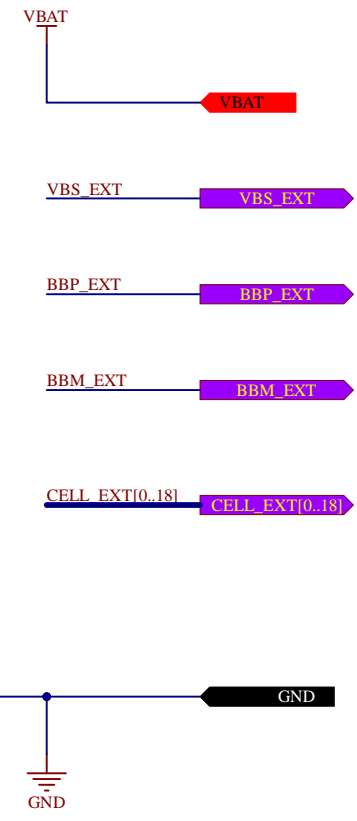


"THE DRAWING IS PROPERTY OF ST THAT RESERVES THE RIGHTS ENACTED FROM THE LAWS"  
"STMicroelectronics assumes no responsibility for the consequences of the use of this board"

**STMicroelectronics**  
EVL9965A/EVL99BM218

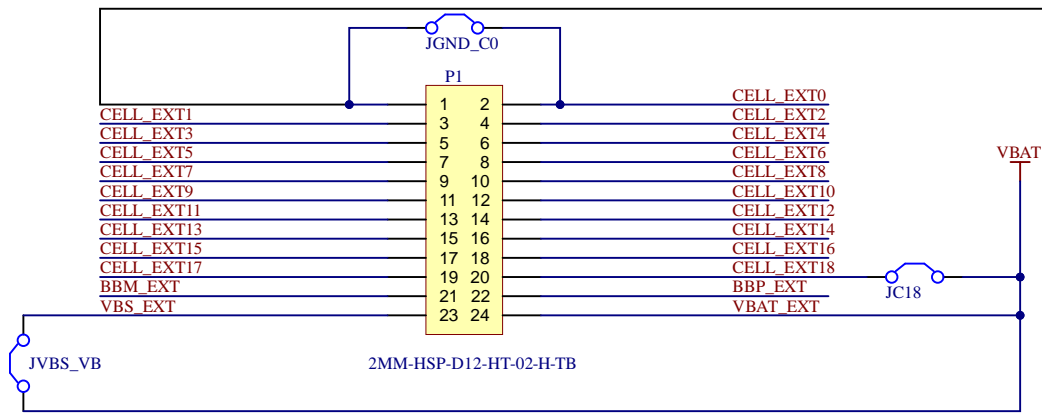
Title: <b>ESD</b>	
Part number: <b>L9965A/L99BM218</b>	Revision: <b>R.0.0</b>
Date: <b>04/26</b>	Size: <b>A2</b>
Document name: <b>ESD.SchDoc</b>	Sheet <b>9</b> of <b>10</b>

Text



The ground star must be placed as close as possible to the IC to minimize buck loop during inductor charge phase

SPARE PARTS IN BLISTER:511102450



**STMicroelectronics**  
EVL9965A/EVL99BM218

Title: <b>Cell Connector</b>	
Part number: <b>L9965A/L99BM218</b>	Revision: <b>R.0.0</b>
Date: <b>04/26</b>	Size: <b>A3</b>
Document name: <b>Cells_Connector.SchDoc</b>	Sheet <b>10</b> of <b>10</b>