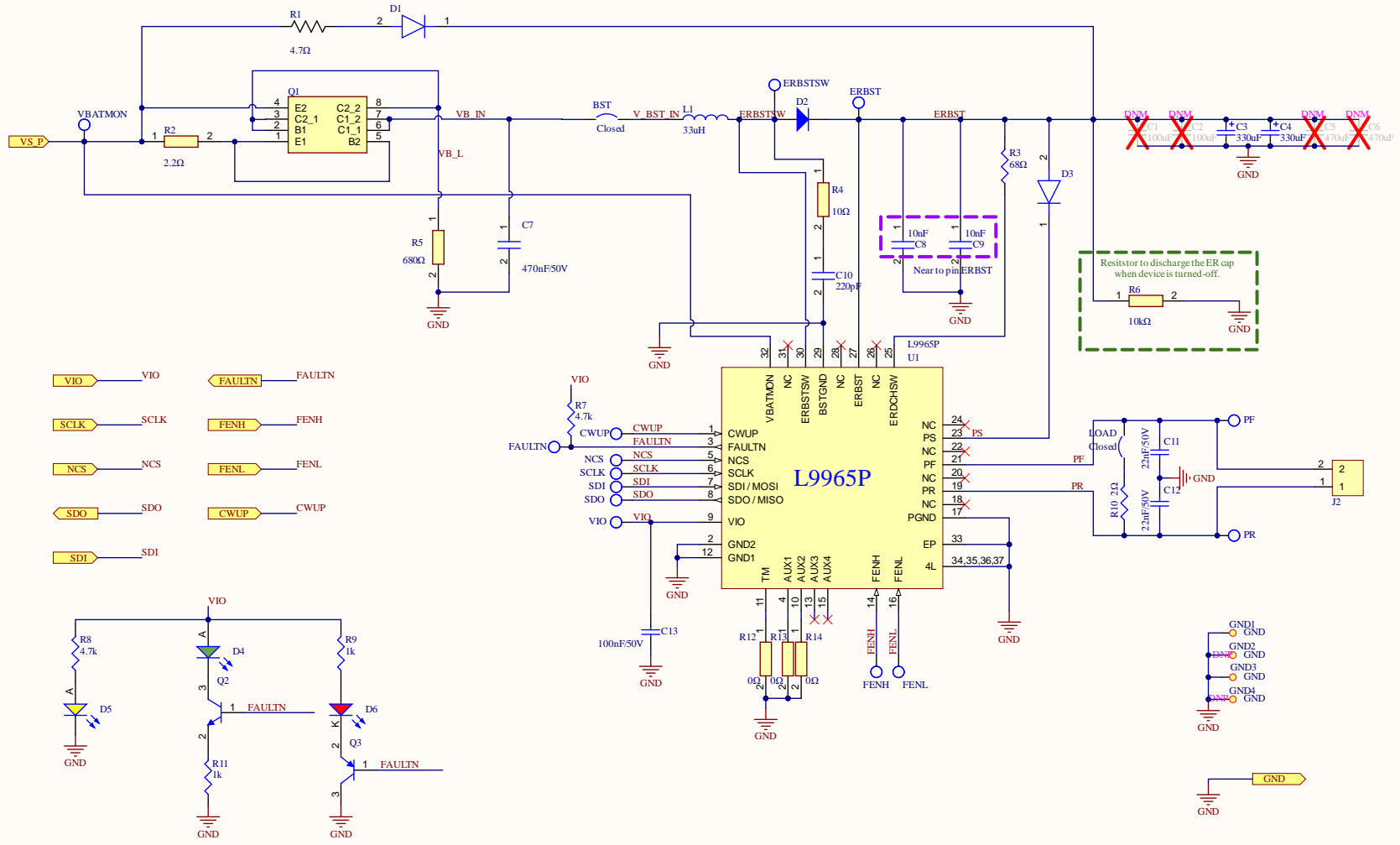



STMicroelectronics
 APMS-SPS Subgroup
 life.augmented

Title: UR6WL9965P Promotion Board TQFP32(3Q)	
Part number: APMS-ASP-ASA-01-2512-07-R.0.0	Revision: R.0.0
Date: 09/04/2025	Size: A3
Document name: TOP.SchDoc	Sheet 1 of 4

"THE DRAWING IS PROPERTY OF ST THAT RESERVES THE RIGHTS ENACTED FROM THE LAWS"
 "STMicroelectronics assumes no responsibility for the consequences of the use of this board"



- VIO → VIO
- SCLK → SCLK
- NCS → NCS
- SDO → SDO
- SDI → SDI
- FAULTN → FAULTN
- FENH → FENH
- FENL → FENL
- CWUP → CWUP

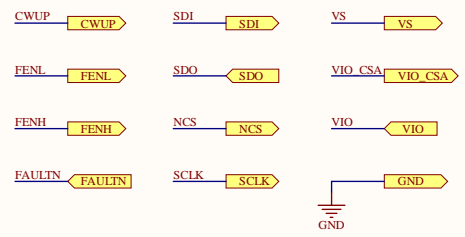
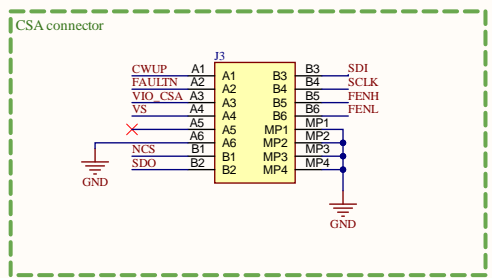
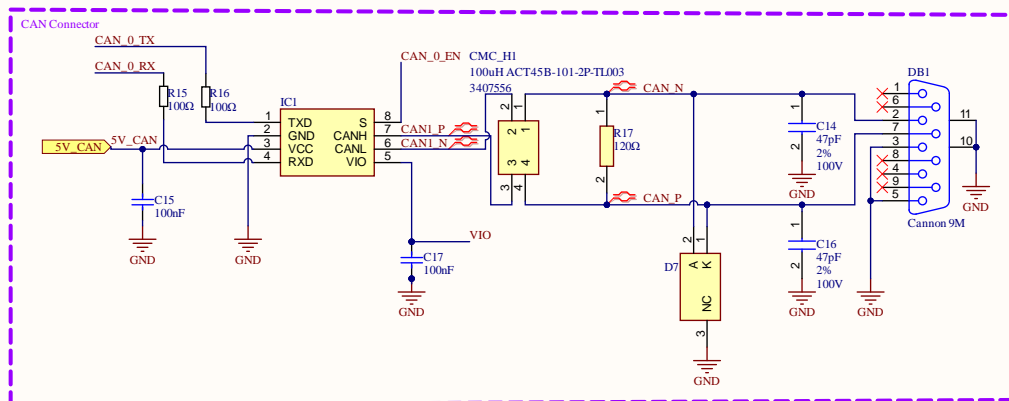
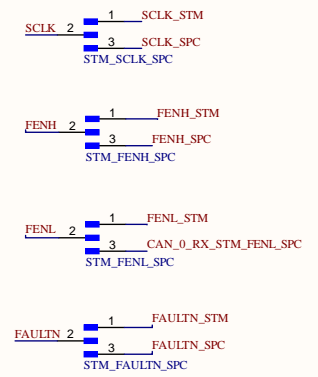
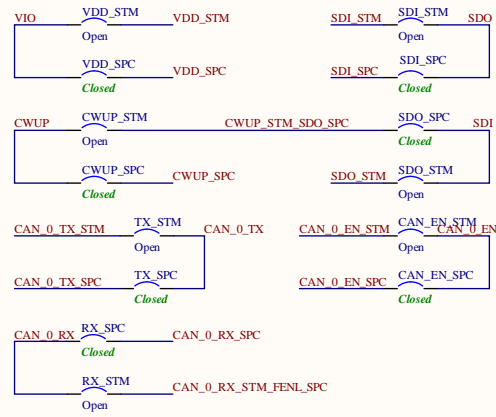
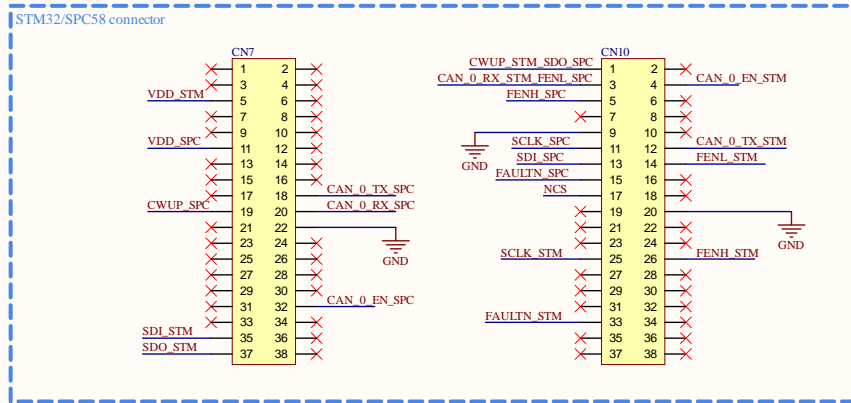


STMicroelectronics
APMS-SPS Subgroup

life.augmented

Title: UR6W/L9965P Promotion Board TQFP32(3Q)	
Part number: APMS-ASP-ASA-01-2512-07-R.0.0	Revision: R.0.0
Date: 09/04/2025	Size: A3
Document name: EVL9965P.SchDoc	Sheet 2 of 4

"THE DRAWING IS PROPERTY OF ST THAT RESERVES THE RIGHTS ENACTED FROM THE LAWS"
"STMicroelectronics assumes no responsibility for the consequences of the use of this board"



life.augmented

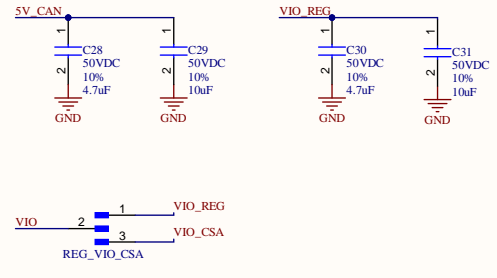
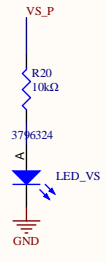
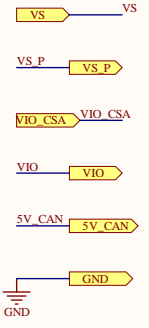
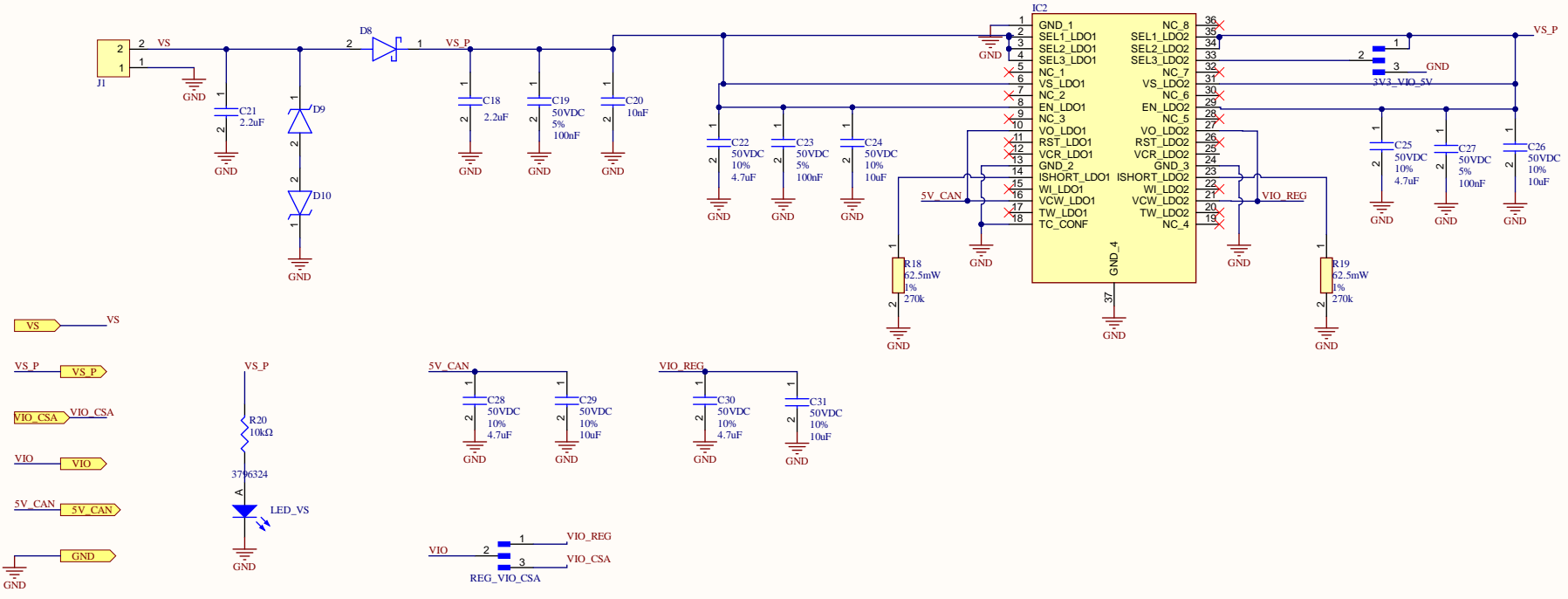
Title: **UR6W/L9965P Promotion Board TQFP32(3Q)**


Part number: **APMS-ASP-ASA-01-2512-07-R.0.0** Revision: **R.0.0**

Date: **09/04/2025** Size: **A3**

Document name: **Board Connector.SchDoc** Sheet 3 of 4

"THE DRAWING IS PROPERTY OF ST THAT RESERVES THE RIGHTS ENACTED FROM THE LAWS"
 "STMicroelectronics assumes no responsibility for the consequences of the use of this board"




STMicroelectronics
 APMS-SPS Subgroup
 life.augmented

Title: UR6W/L9965P Promotion Board TQFP32(3Q)	
Part number: APMS-ASP-ASA-01-2512-07-R.0.0	Revision: R.0.0
Date: 09/04/2025	Size: A3
Document name: Supply_SchDoc	Sheet 4 of 4

"THE DRAWING IS PROPERTY OF ST THAT RESERVES THE RIGHTS ENACTED FROM THE LAWS"
 "STMicroelectronics assumes no responsibility for the consequences of the use of this board"