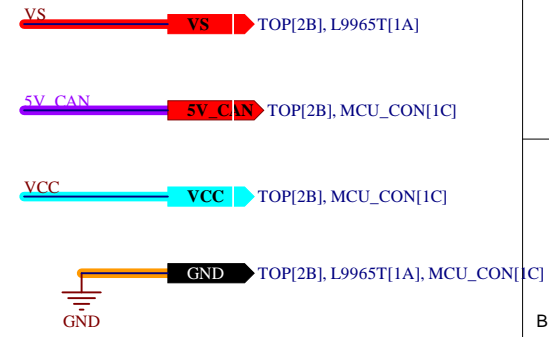
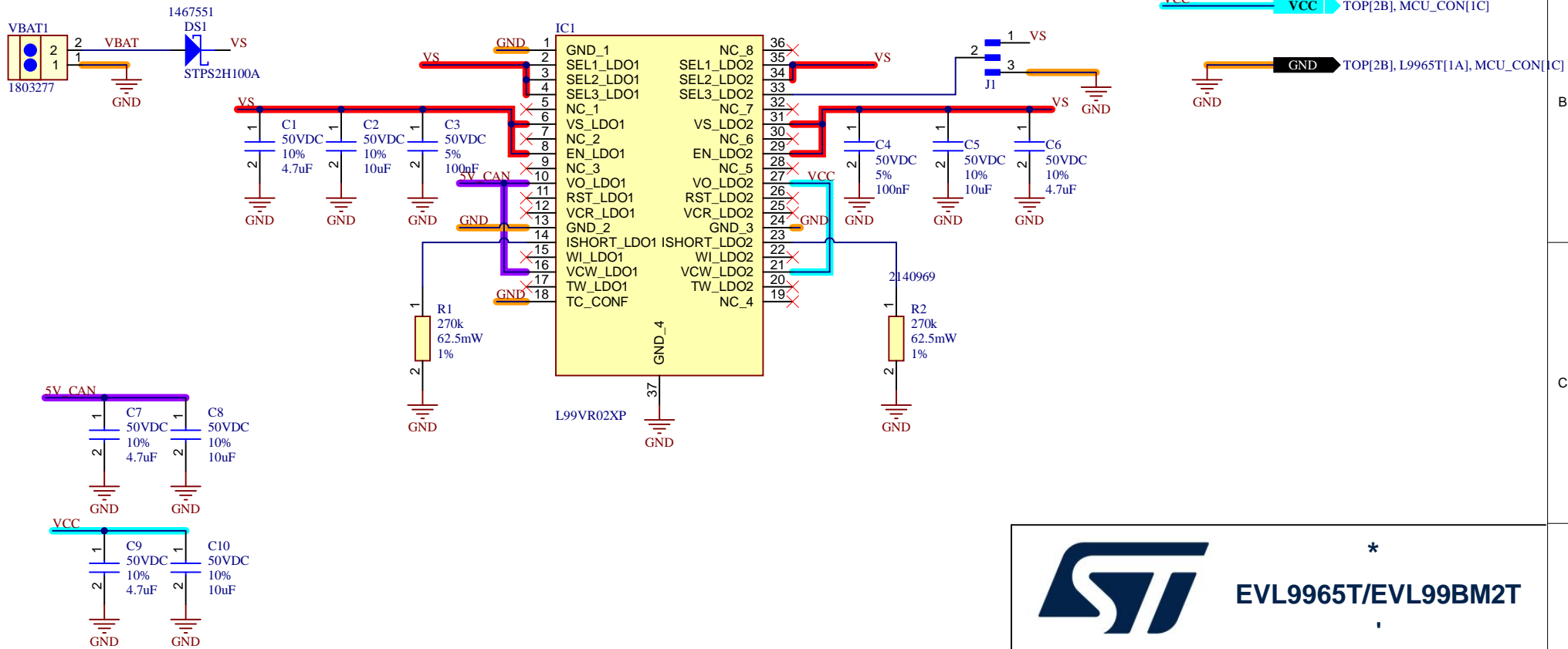


\*  
EVL9965T/EVL99BM2T  
,

Title: <b>TOP</b>	
Part number: <b>L9965T/L99BM2T</b>	Revision: <b>0</b>
Date: <b>04/2026</b>	Size: <b>A4</b>
Document name: <b>TOP.SchDoc</b>	Sheet 1 of 4

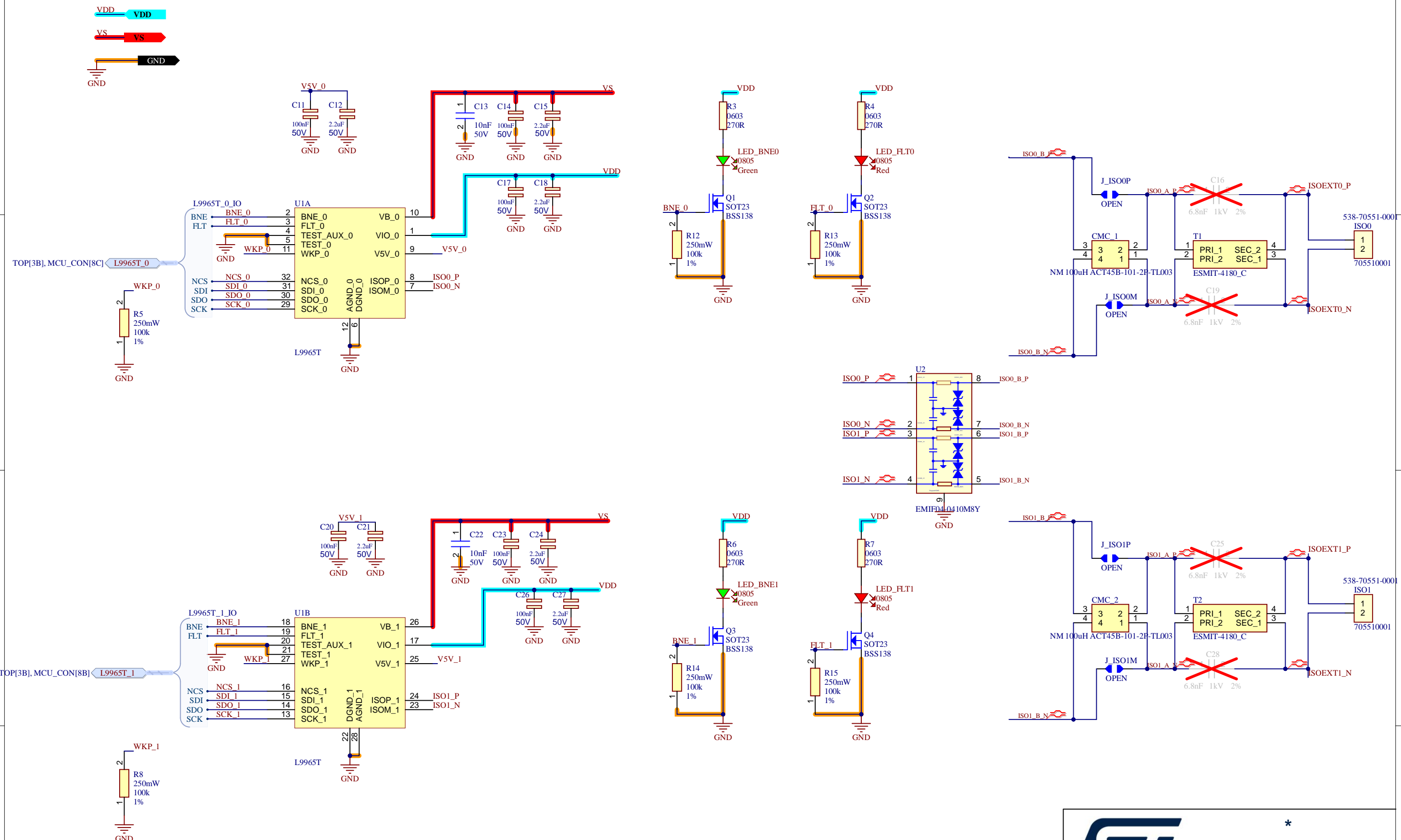
"THE DRAWING IS PROPERTY OF ST THAT RESERVES THE RIGHTS ENACTED FROM THE LAWS"  
 "STMicroelectronics assumes no responsibility for the consequences of the use of this board"




\*  
**EVL9965T/EVL99BM2T**

Title: <b>Supply</b>	
Part number: <b>L9965T/L99BM2T</b>	Revision: <b>0</b>
Date: <b>04/26</b>	Size: <b>A4</b>
Document name: <b>SUPPLY.SchDoc</b>	Sheet 2 of 4

"THE DRAWING IS PROPERTY OF ST THAT RESERVES THE RIGHTS ENACTED FROM THE LAWS"  
 "STMicroelectronics assumes no responsibility for the consequences of the use of this board"





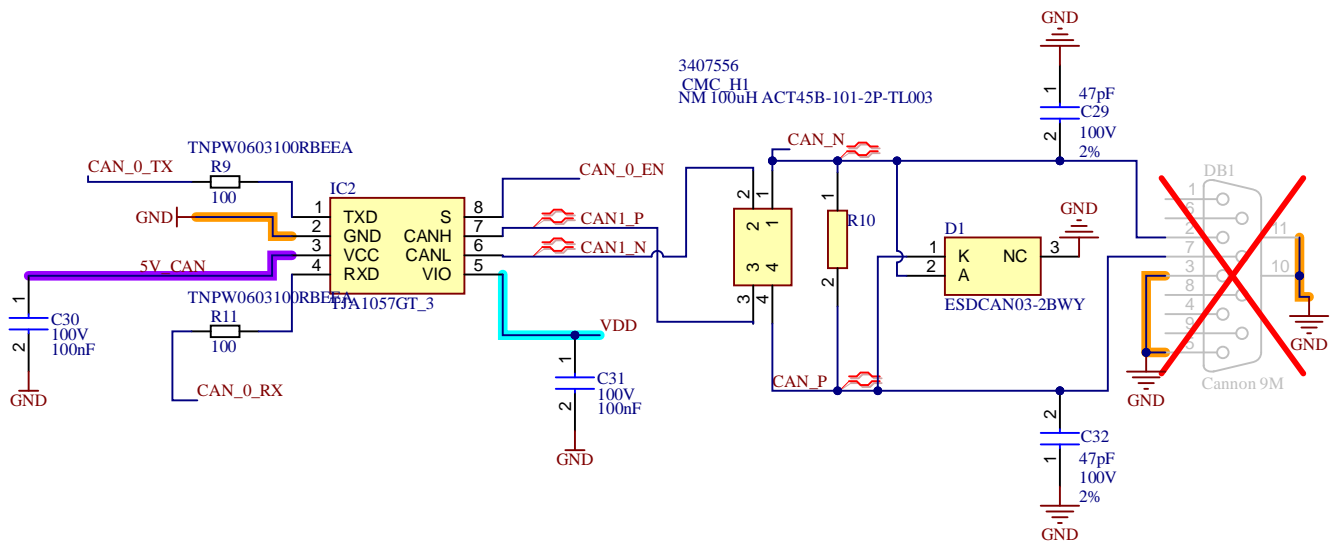
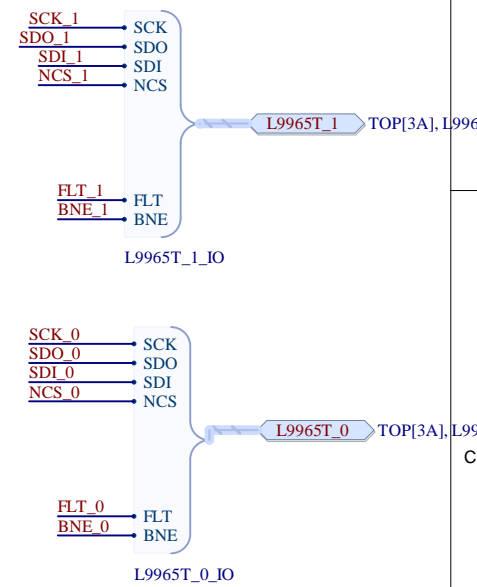
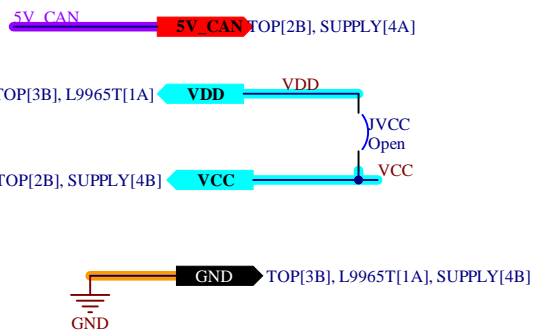
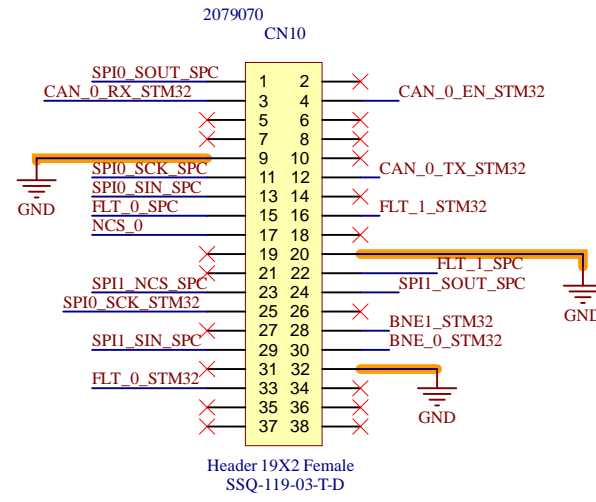
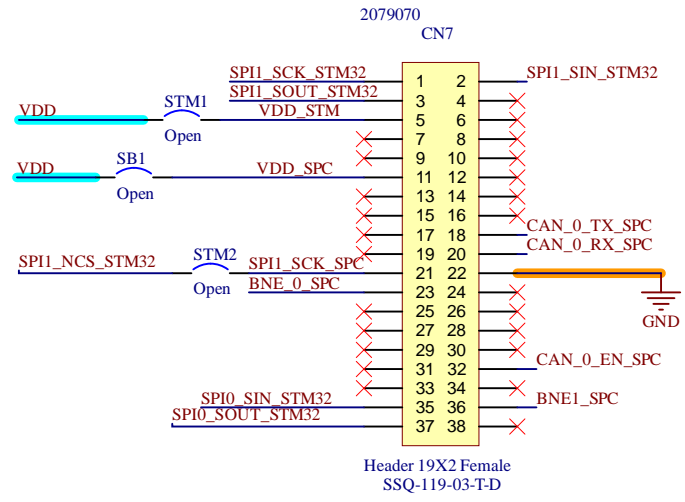
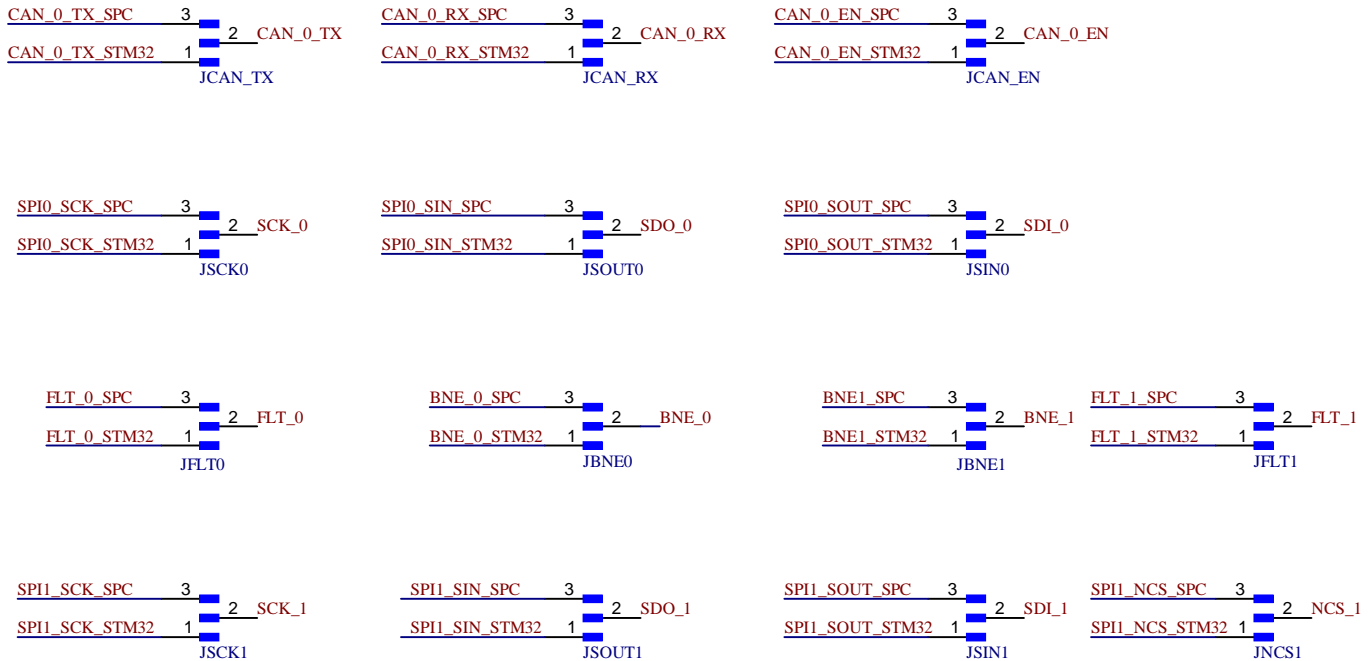
**EVL9965T/EVL99BM2T**

Title: <b>L9965T</b>	
Part number: <b>L9965T/L99BM2T</b>	Revision: <b>0</b>
Date: <b>04/26</b>	Size: <b>A3</b>
Document name: <b>L9965T.SchDoc</b>	Sheet 3 of 4

"THE DRAWING IS PROPERTY OF ST THAT RESERVES THE RIGHTS ENACTED FROM THE LAWS"  
 "STMicroelectronics assumes no responsibility for the consequences of the use of this board"

for L9965T R.0.0 variant solder jumper must be soldered in 2-3 position (on SPC5 position on layout)

for L99BM2T R.0.0 variant solder jumper must be soldered in 1-2 position (on STM32 position on layout)



**ST** EVL9965T/EVL99BM2T

Title: <b>MCU_CON</b>	
Part number: <b>L9965T/L99BM2T</b>	Revision: <b>0</b>
Date: <b>04/26</b>	Size: <b>A3</b>
Document name: <b>MCU_CON.SchDoc</b>	Sheet 4 of 4

"THE DRAWING IS PROPERTY OF ST THAT RESERVES THE RIGHTS ENACTED FROM THE LAWS"  
 "STMicroelectronics assumes no responsibility for the consequences of the use of this board"