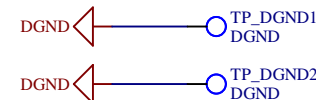
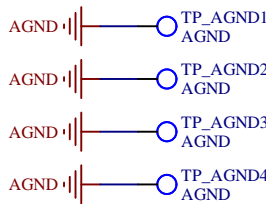
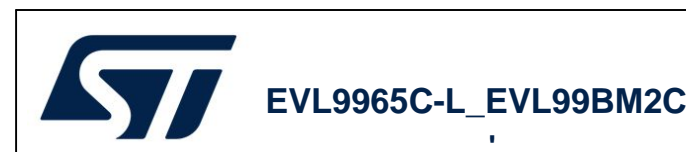
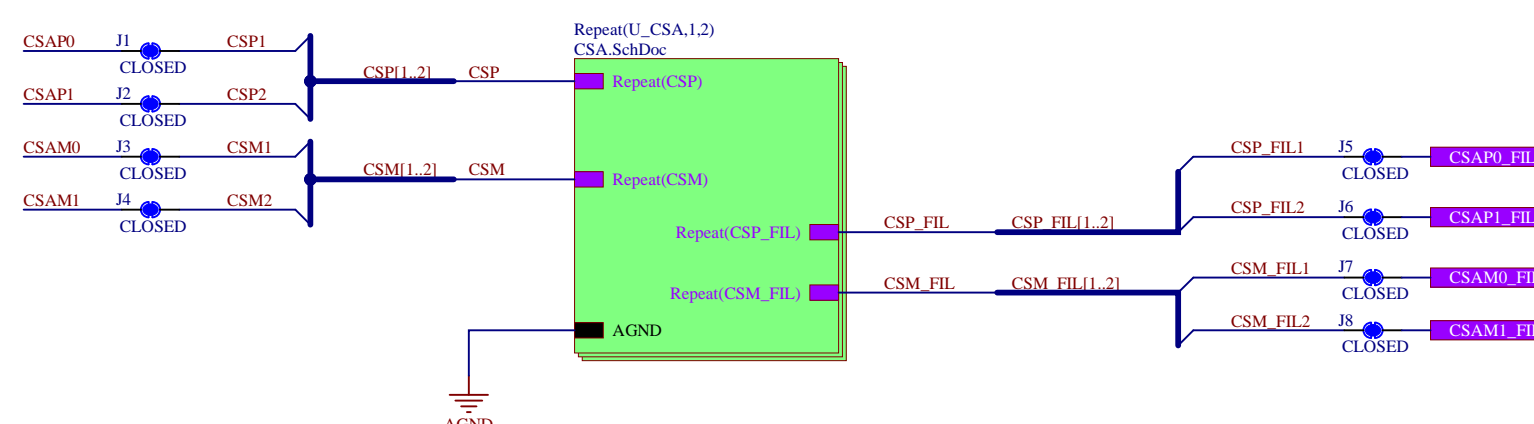
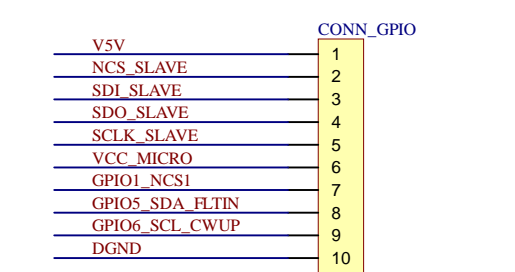
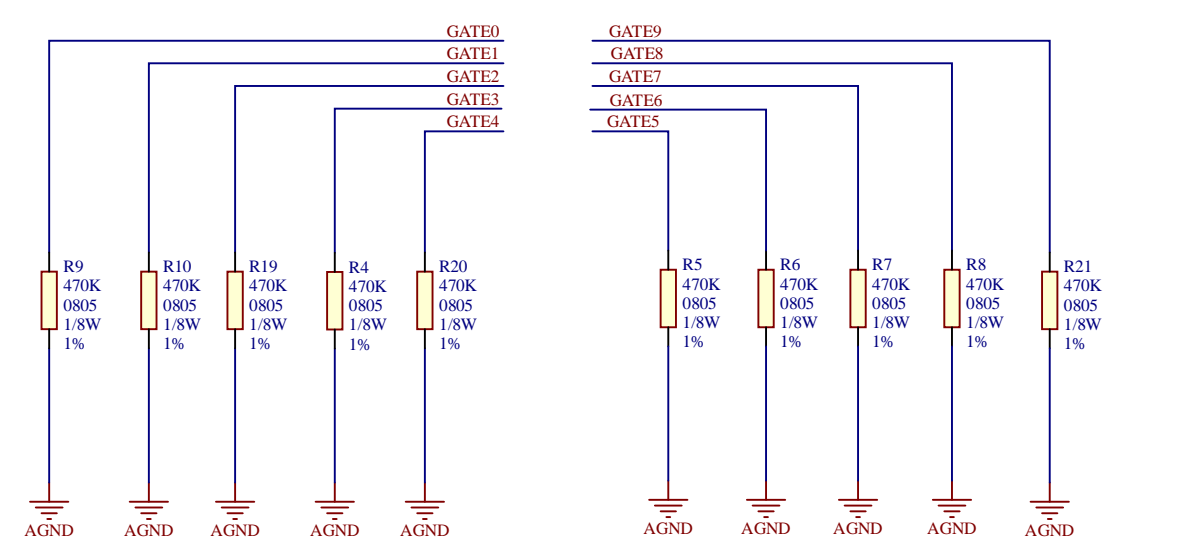
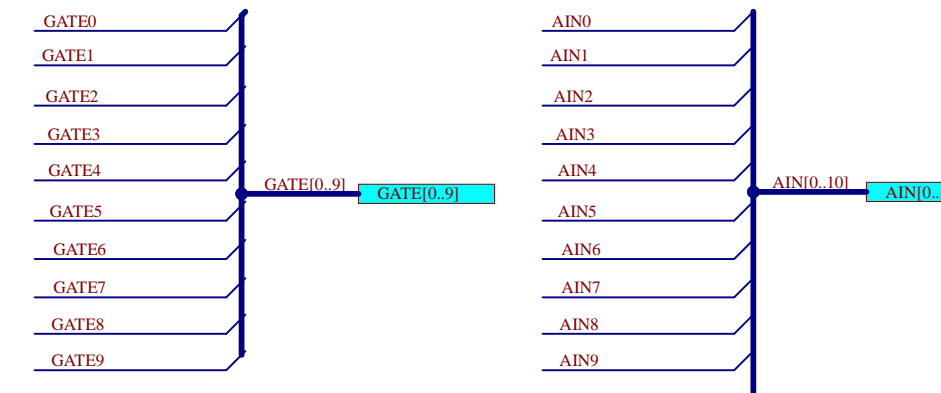
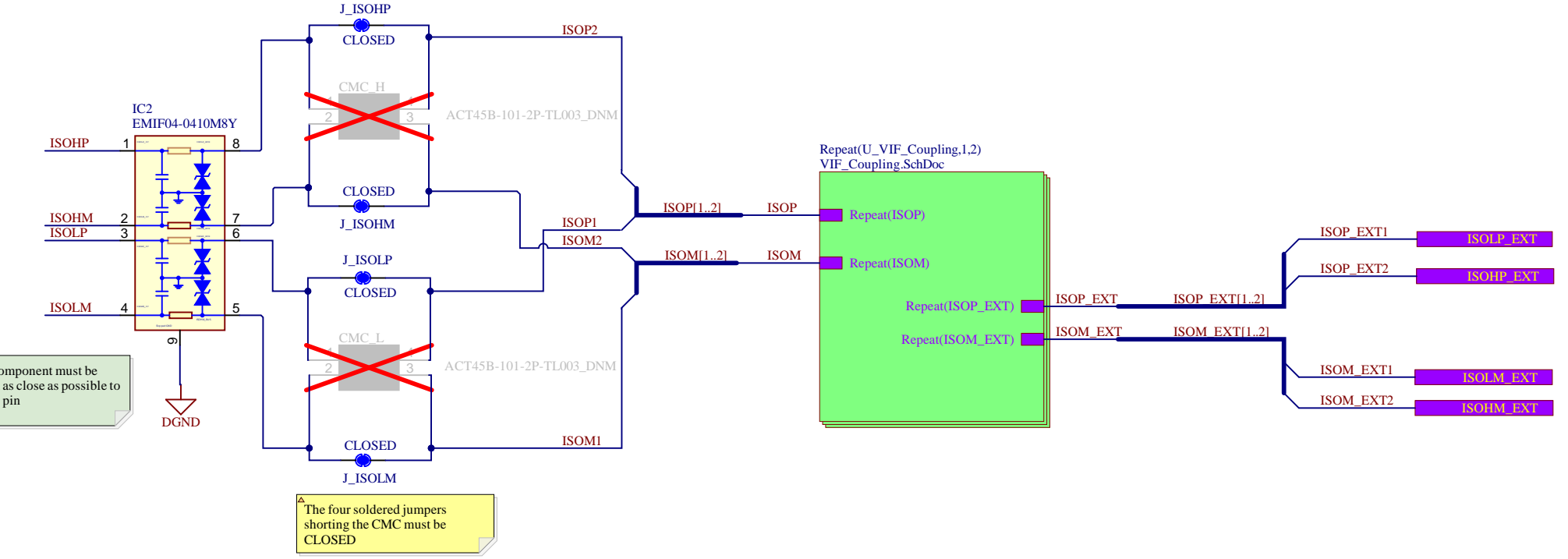
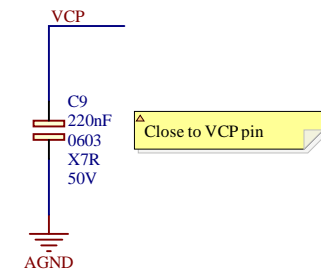
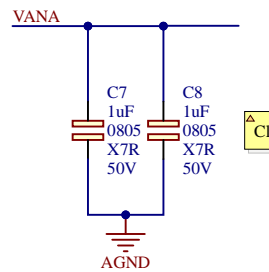
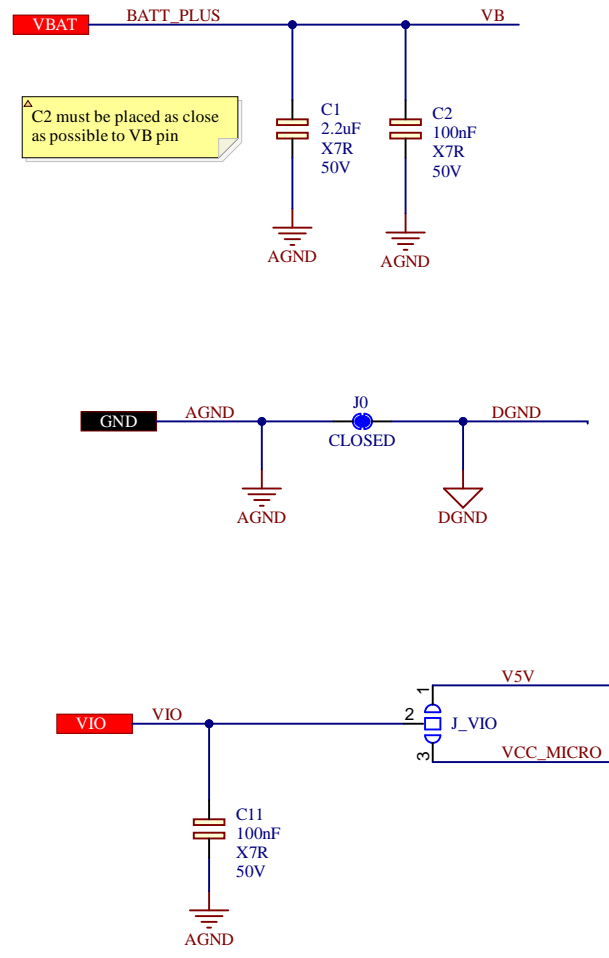
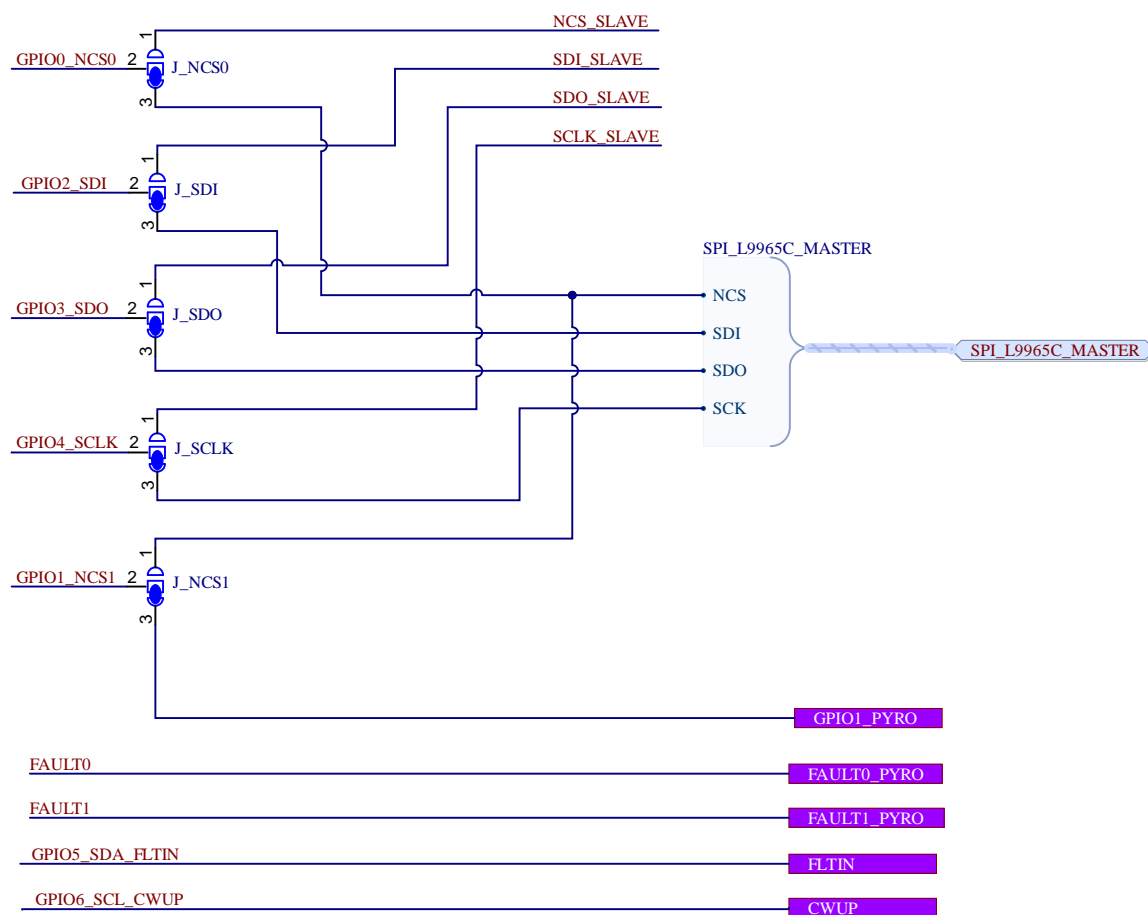


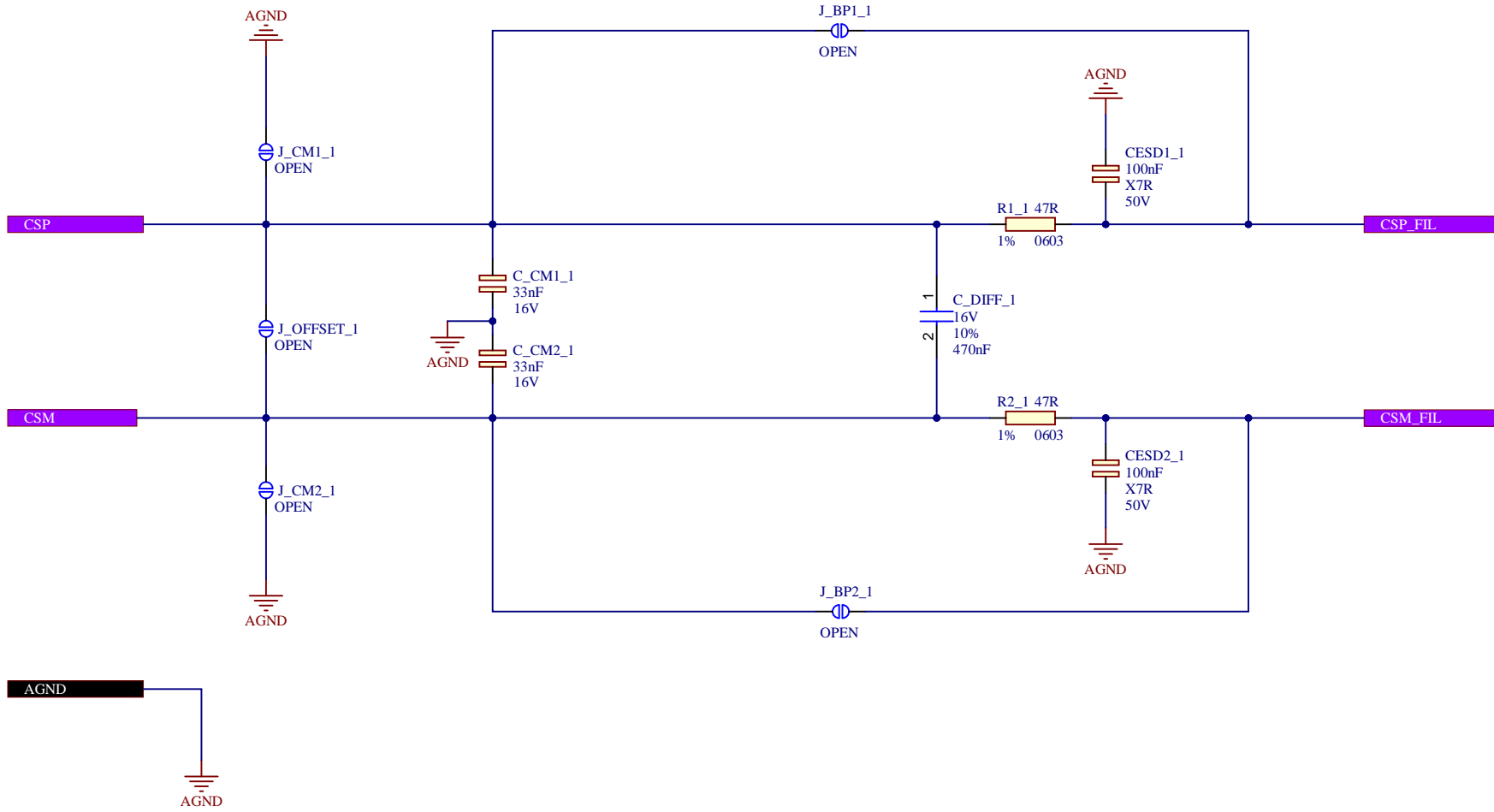

To be placed at the corners of the PCB



These five soldered jumpers shall be closed in position 2-3



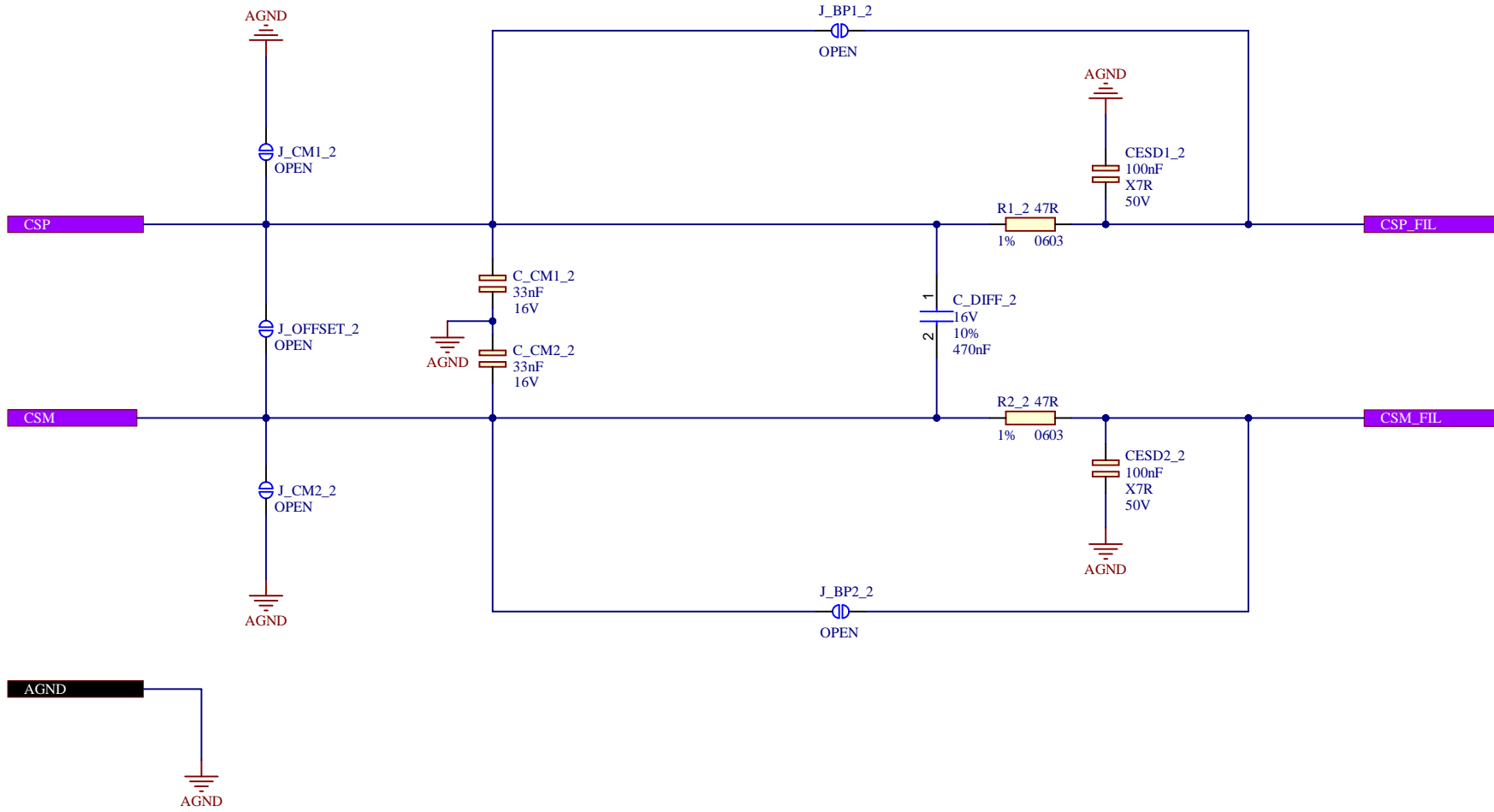
Title: L9965C	
Part number: L9965C/L99BM2C	Revision: R.0.0
Date: 04/26	Size: A2
Document name: L9965.SchDoc	Sheet 2 of 9





EVL9965C-L/EVL99BMC-L

Title: CSA	
Part number: L9965C/L99BM2C	Revision: R.0.0
Date: 04/26	Size: A4
Document name: CSA.SchDoc	Sheet 3 of 9

"THE DRAWING IS PROPERTY OF ST THAT RESERVES THE RIGHTS ENACTED FROM THE LAWS"
 "STMicroelectronics assumes no responsibility for the consequences of the use of this board"

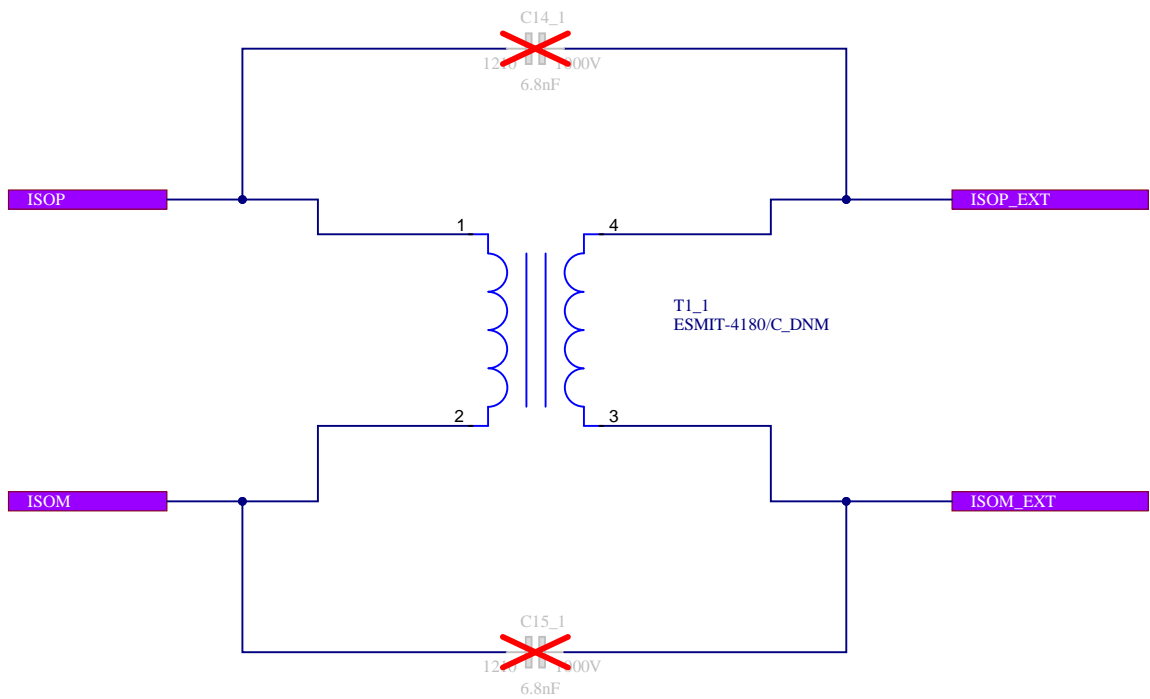




EVL9965C-L/EVL99BMC-L

Title: CSA	
Part number: L9965C/L99BM2C	Revision: R.0.0
Date: 04/26	Size: A4
Document name: CSA.SchDoc	Sheet 3 of 9

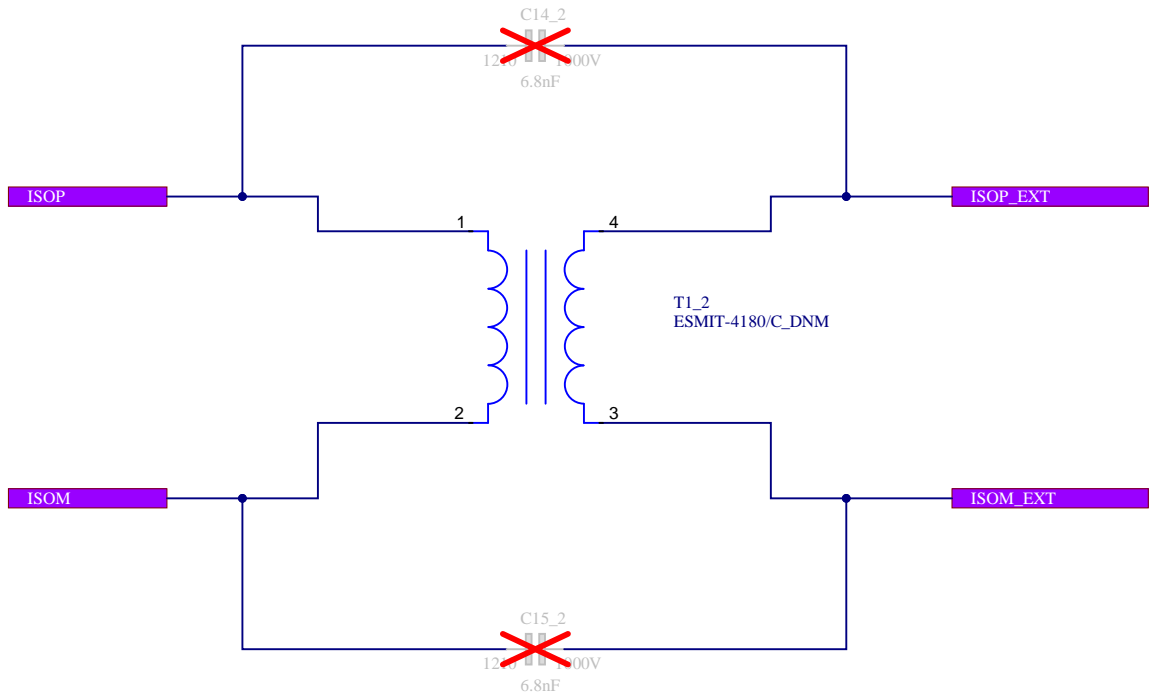

"THE DRAWING IS PROPERTY OF ST THAT RESERVES THE RIGHTS ENACTED FROM THE LAWS"
 "STMicroelectronics assumes no responsibility for the consequences of the use of this board"



EVL9965C-L/EVL99BMC-L

Title: VIF_Coupling	
Part number: L9965C/L99BM2C	Revision: R.0.0
Date: 04/26	Size: A4
Document name: VIF_Coupling.SchDoc	Sheet 4 of 9

"THE DRAWING IS PROPERTY OF ST THAT RESERVES THE RIGHTS ENACTED FROM THE LAWS"
 "STMicroelectronics assumes no responsibility for the consequences of the use of this board"

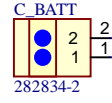
EVL9965C-L/EVL99BMC-L

Title: <i>VIF_Coupling</i>	
Part number: L9965C/L99BM2C	Revision: R.0.0
Date: 04/26	Size: A4
Document name: <i>VIF_Coupling.SchDoc</i>	Sheet 4 of 9

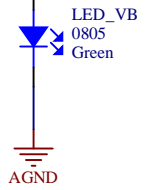
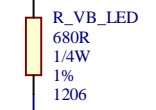
"THE DRAWING IS PROPERTY OF ST THAT RESERVES THE RIGHTS ENACTED FROM THE LAWS"
 "STMicroelectronics assumes no responsibility for the consequences of the use of this board"

VBAT

GND

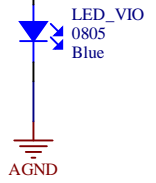
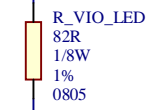


BATT_PLUS



VIO

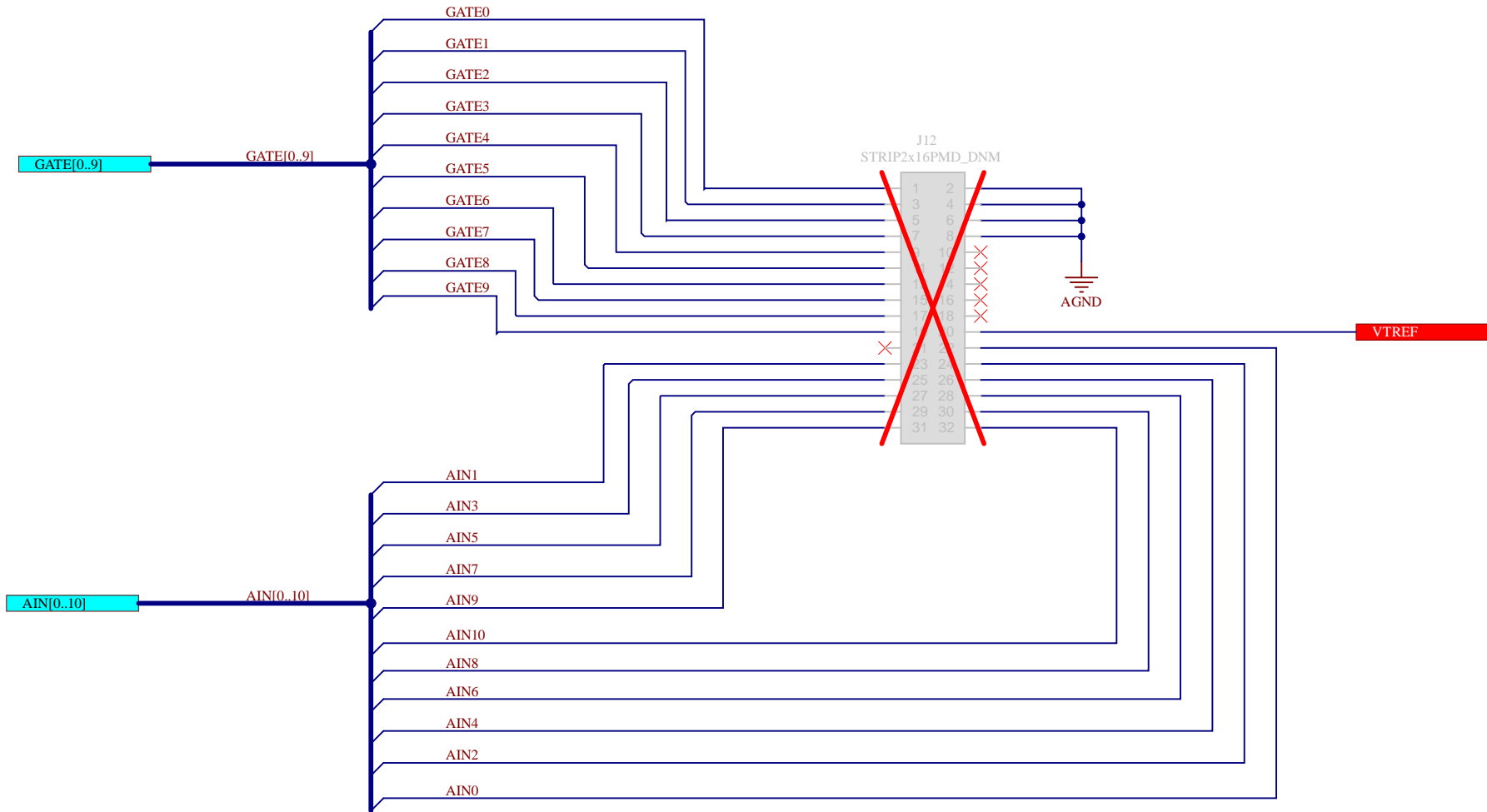
VIO



*
EVL9965C-L/EVL99BMC-L
,

Title: Battery Supply	
Part number: L9965C/L99BM2C	Revision: R.0.0
Date: 04/26	Size: A4
Document name: Battery Supply.SchDoc	Sheet 5 of 9

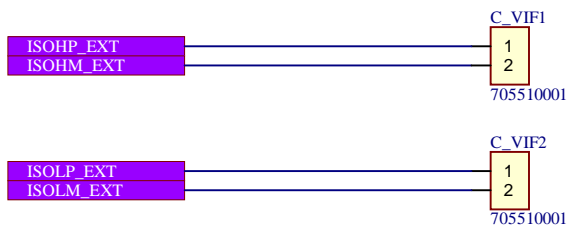
"THE DRAWING IS PROPERTY OF ST THAT RESERVES THE RIGHTS ENACTED FROM THE LAWS"
 "STMicroelectronics assumes no responsibility for the consequences of the use of this board"




*
EVL9965C-L/EVL99BMC-L

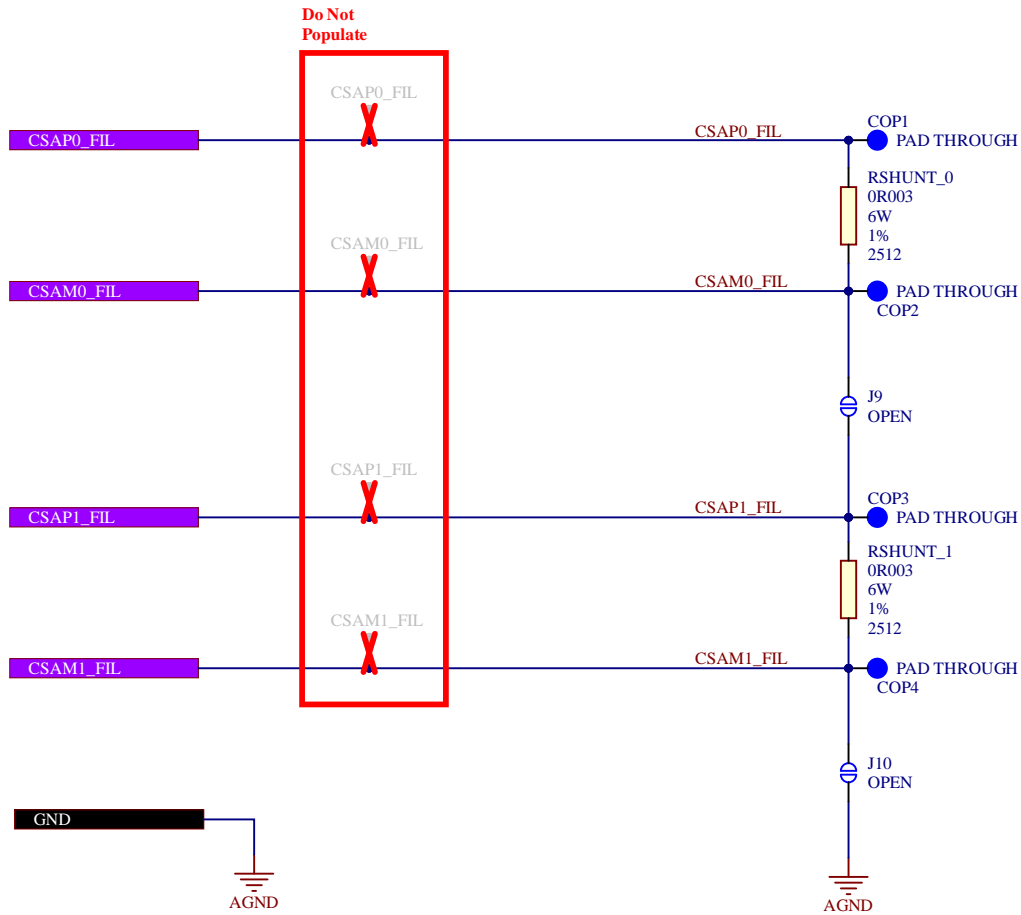
Title: Add_ON Connections	
Part number: L9965C/L99BMC2C	Revision: R.0.0
Date: 04/26	Size: A4
Document name: Add_ON Connections.SchDoc	Sheet 6 of 9

"THE DRAWING IS PROPERTY OF ST THAT RESERVES THE RIGHTS ENACTED FROM THE LAWS"
 "STMicroelectronics assumes no responsibility for the consequences of the use of this board"



		*
EVL9965C-L/EVL99BMC-L		,
Title: VIF Connector		
Part number: L9965C/L99BM2C	Revision: R.0.0	
Date: 04/26	Size: A4	
Document name: VIF Connector.SchDoc	Sheet 7 of 9	

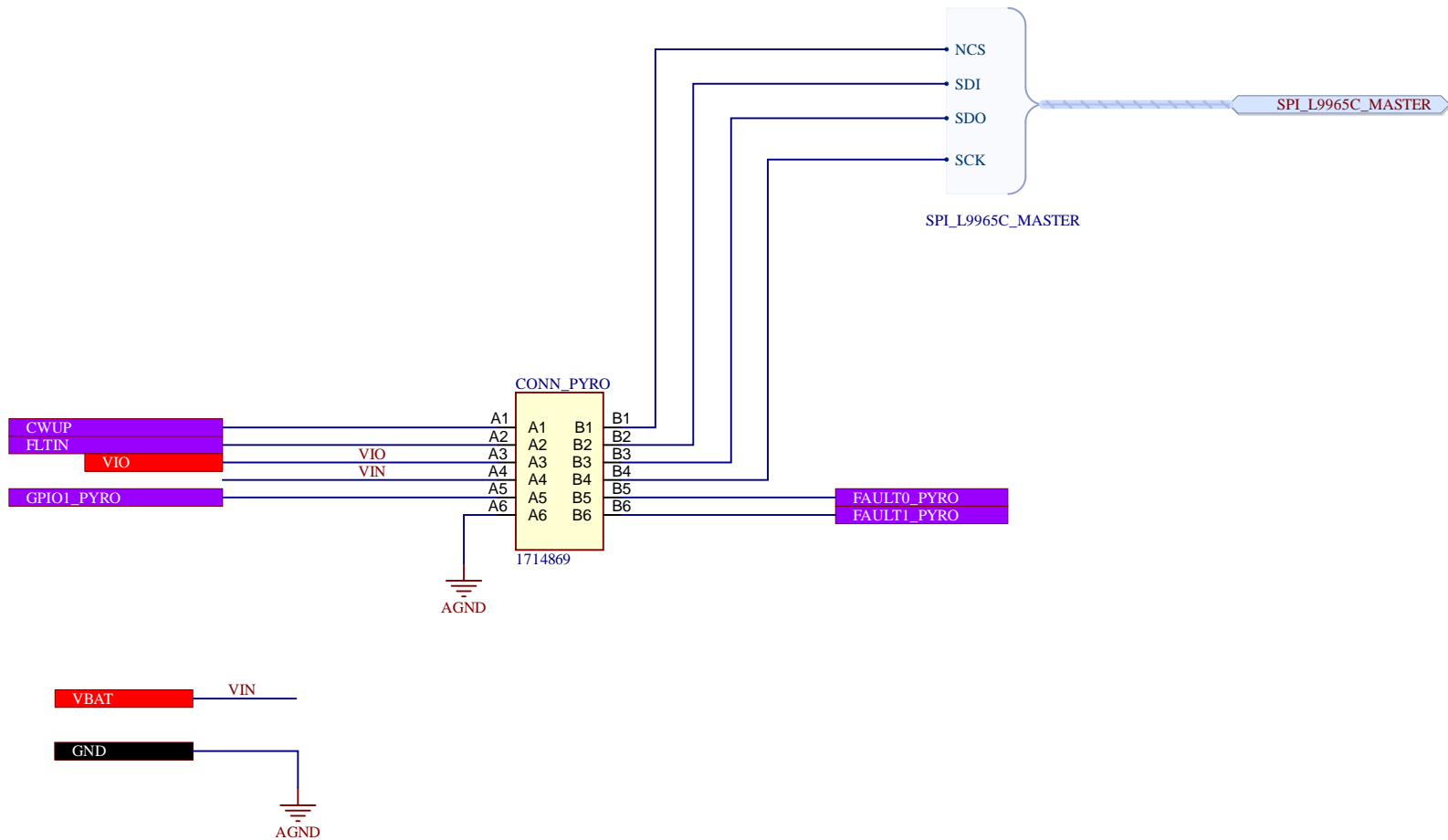
"THE DRAWING IS PROPERTY OF ST THAT RESERVES THE RIGHTS ENACTED FROM THE LAWS"
 "STMicroelectronics assumes no responsibility for the consequences of the use of this board"



*
EVL9965C-L/EVL99BMC-L
 ,

Title: CSA Connection	
Part number: L9965C/L99BM2C	Revision: R.0.0
Date: 04/26	Size: A4
Document name: CSA Connection.SchDoc	Sheet 8 of 9

"THE DRAWING IS PROPERTY OF ST THAT RESERVES THE RIGHTS ENACTED FROM THE LAWS"
 "STMicroelectronics assumes no responsibility for the consequences of the use of this board"



*

EVL9965C-L/EVL99BMC-L

Title: **Pyro Connection**

Part number: L9965C/L99BM2C	Revision: R.0.0
Date: 04/26	Size: A4
Document name: Pyro Connection.SchDoc	Sheet 9 of 9

"THE DRAWING IS PROPERTY OF ST THAT RESERVES THE RIGHTS ENACTED FROM THE LAWS"
 "STMicroelectronics assumes no responsibility for the consequences of the use of this board"