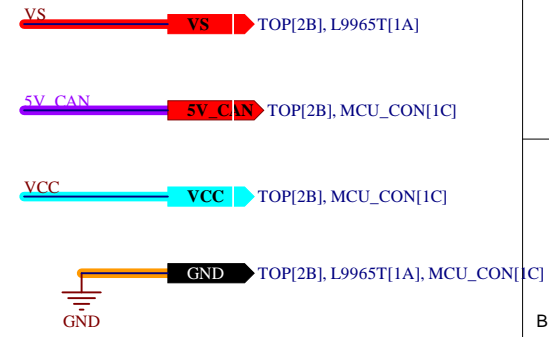
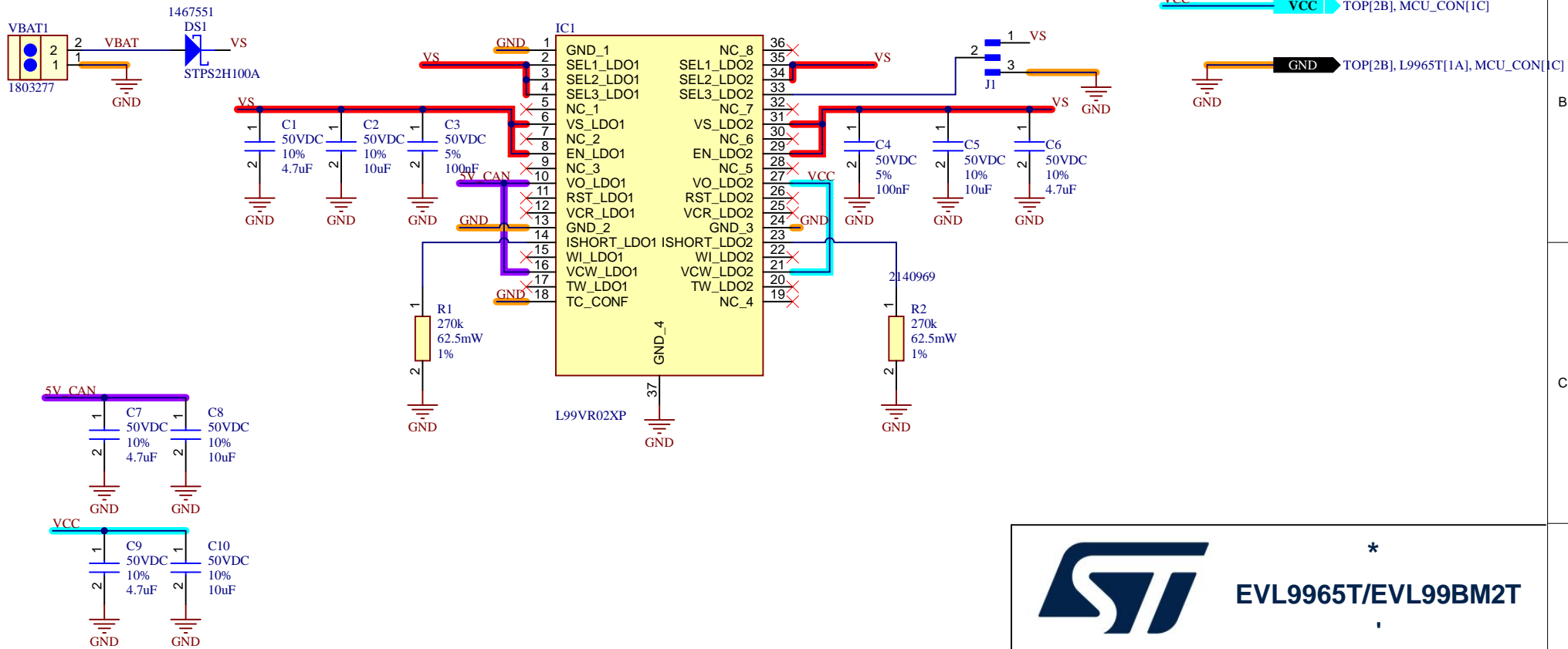



*
EVL9965T/EVL99BM2T
,

Title: TOP	
Part number: L9965T/L99BM2T	Revision: 0
Date: 04/2026	Size: A4
Document name: TOP.SchDoc	Sheet 1 of 4

"THE DRAWING IS PROPERTY OF ST THAT RESERVES THE RIGHTS ENACTED FROM THE LAWS"
"STMicroelectronics assumes no responsibility for the consequences of the use of this board"

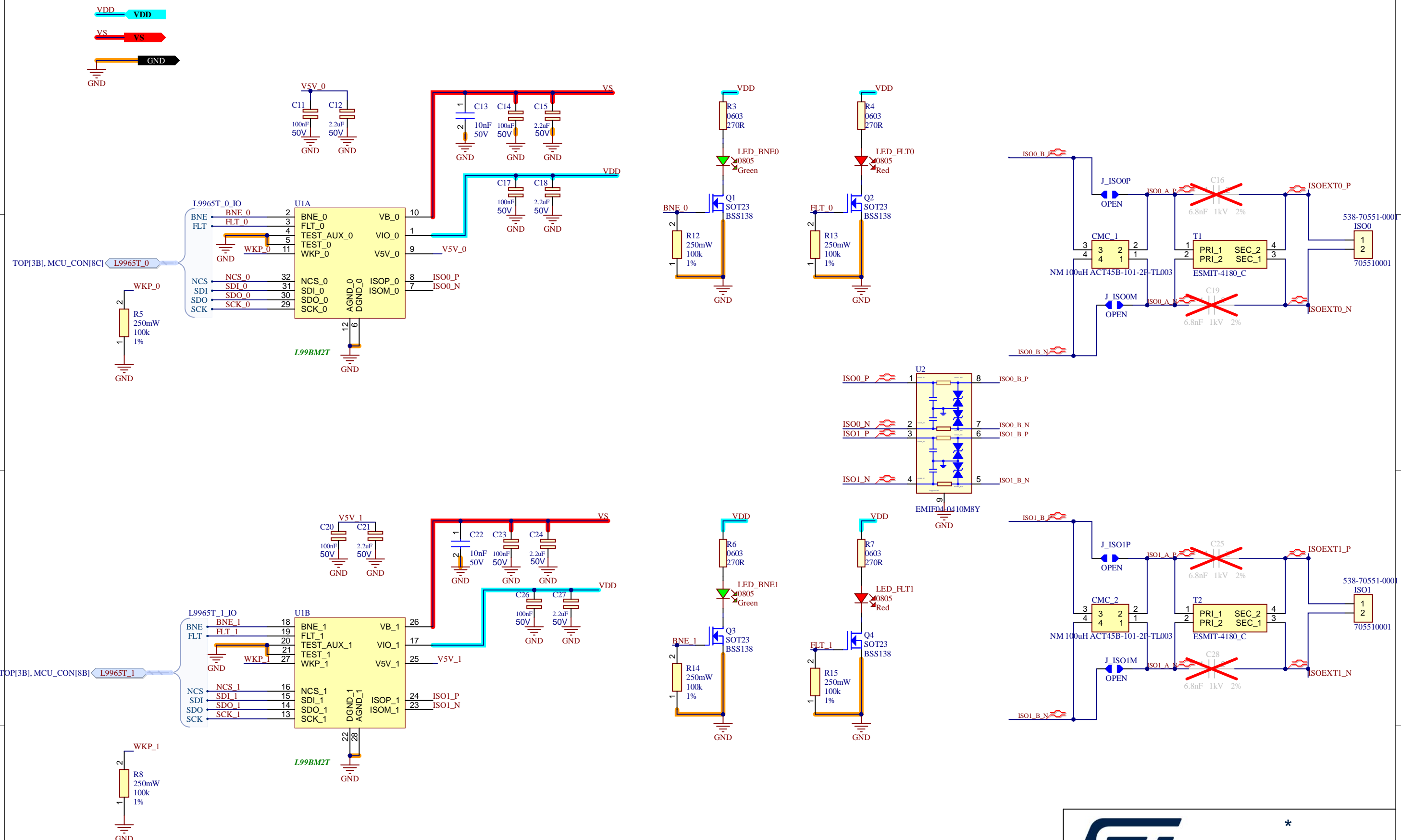





EVL9965T/EVL99BM2T

Title: Supply	
Part number: L9965T/L99BM2T	Revision: 0
Date: 04/26	Size: A4
Document name: SUPPLY.SchDoc	Sheet 2 of 4

"THE DRAWING IS PROPERTY OF ST THAT RESERVES THE RIGHTS ENACTED FROM THE LAWS"
 "STMicroelectronics assumes no responsibility for the consequences of the use of this board"





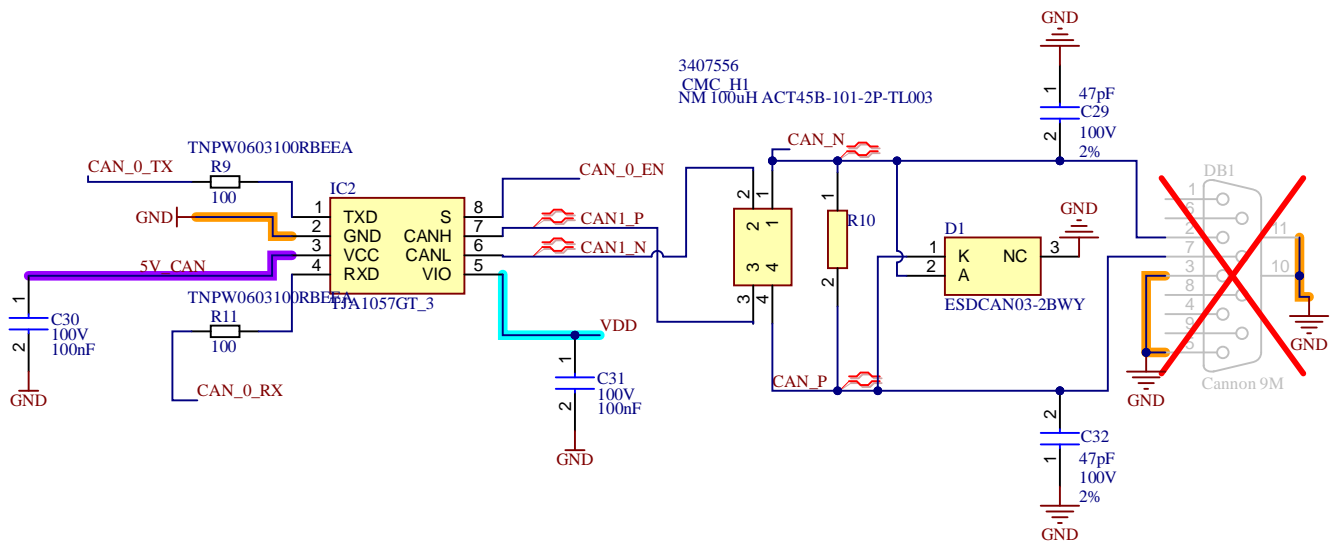
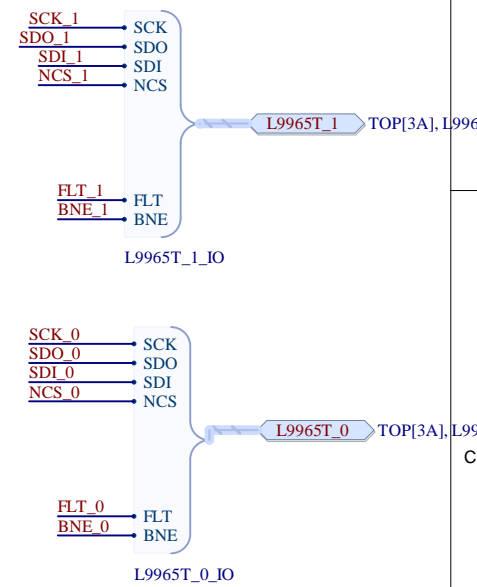
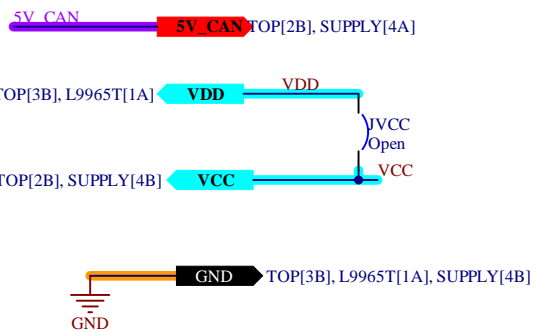
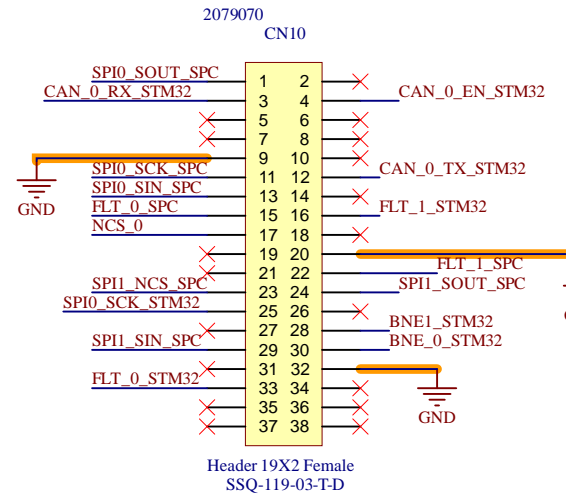
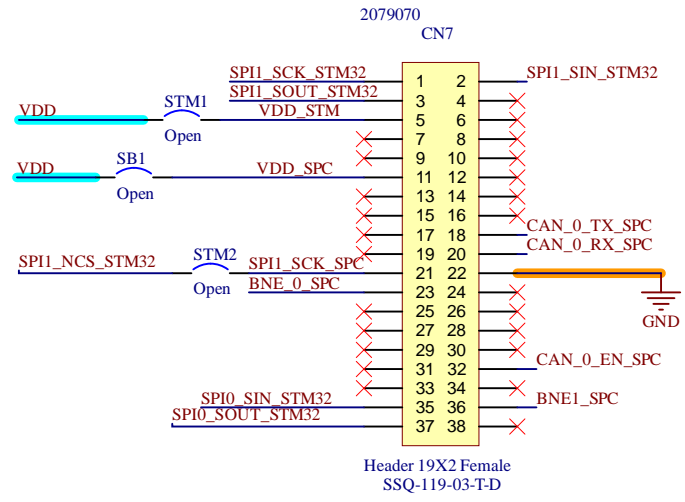
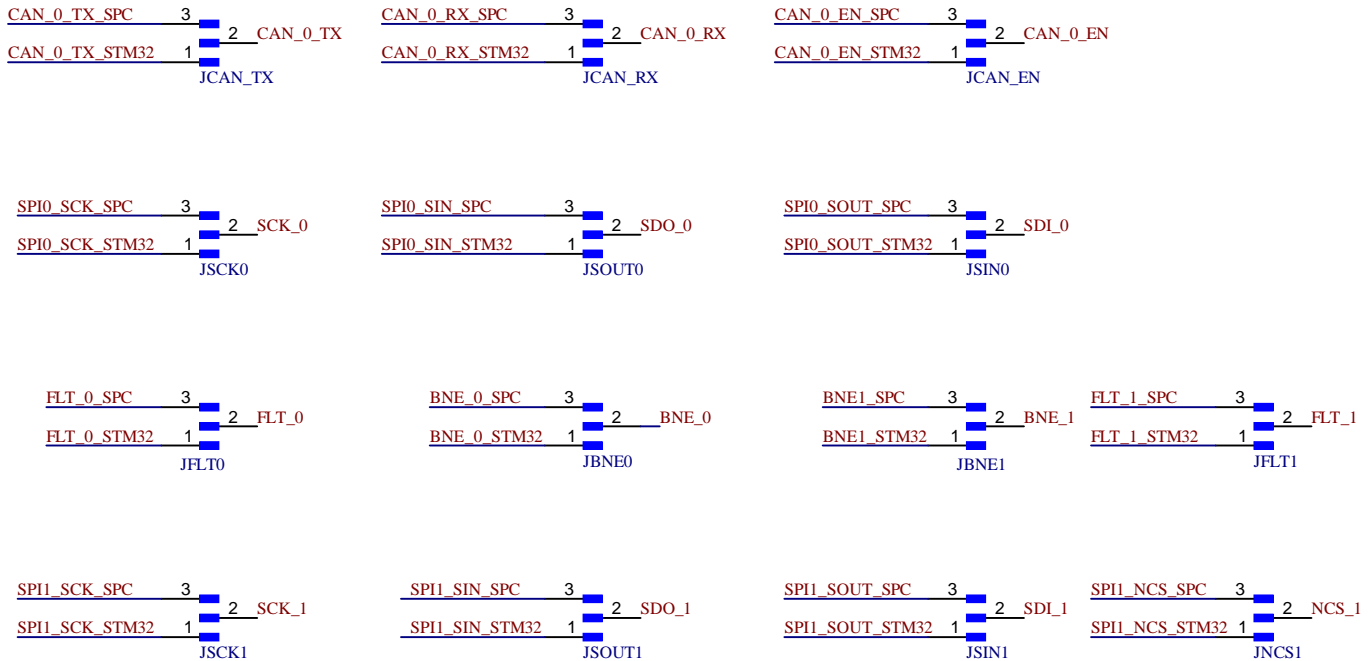
EVL9965T/EVL99BM2T

Title: L9965T	
Part number: L9965T/L99BM2T	Revision: 0
Date: 04/26	Size: A3
Document name: L9965T.SchDoc	Sheet 3 of 4

"THE DRAWING IS PROPERTY OF ST THAT RESERVES THE RIGHTS ENACTED FROM THE LAWS"
 "STMicroelectronics assumes no responsibility for the consequences of the use of this board"

for L9965T R.0.0 variant solder jumper must be soldered in 2-3 position (on SPC5 position on layout)

for L99BM2T R.0.0 variant solder jumper must be soldered in 1-2 position (on STM32 position on layout)



ST EVL9965T/EVL99BM2T

Title: MCU_CON	
Part number: L9965T/L99BM2T	Revision: 0
Date: 04/26	Size: A3
Document name: MCU_CON.SchDoc	Sheet 4 of 4

"THE DRAWING IS PROPERTY OF ST THAT RESERVES THE RIGHTS ENACTED FROM THE LAWS"
 "STMicroelectronics assumes no responsibility for the consequences of the use of this board"