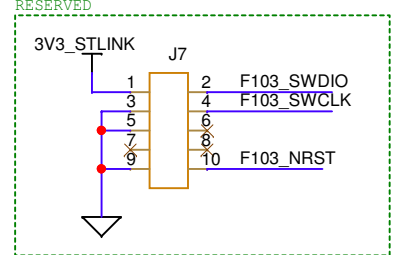
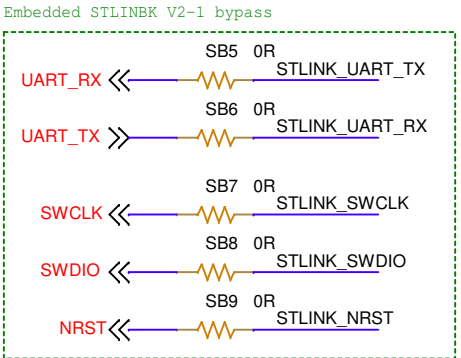
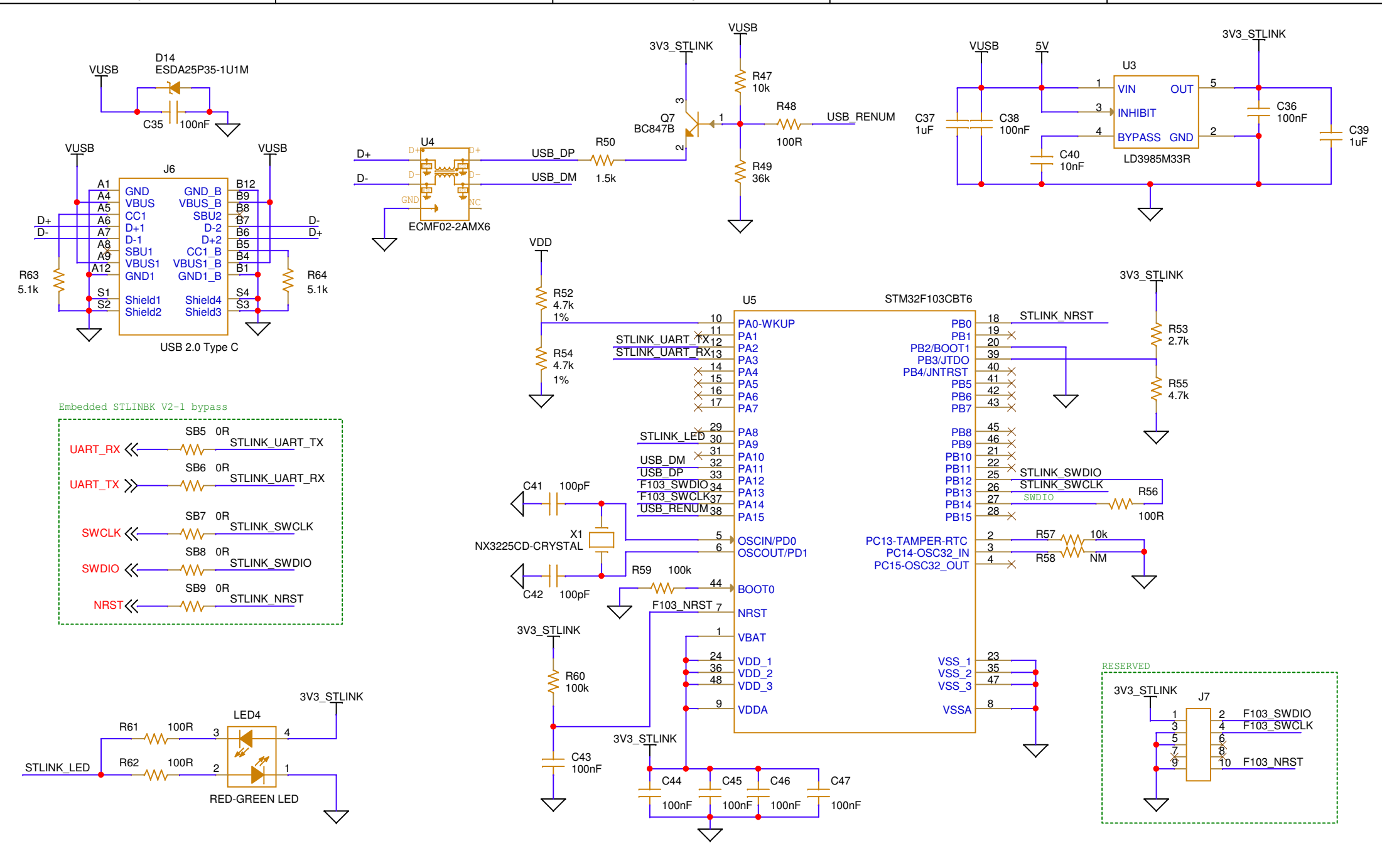



		<b>Board Title</b> EVLSPIN32G0A1_R1		This drawing and the information herein are property of STMicroelectronics and are intended for evaluation purpose only	
<b>Sheet Title</b> Power stage		<b>Date</b> Tuesday, June 25, 2024		<b>Rev</b> 1	
<b>Doc No</b>		<b>Date</b>		<b>Sheet</b> 2 / 3	



 life.augmented	Board Title <b>EVLSPIN32G0A1_R1</b>			
	Sheet Title <b>STLINK</b>			
Doc No	Date	Rev	Sheet	
	Tuesday, June 25, 2024	1	3 / 3	

This drawing and the information herein are property of STMicroelectronics and are intended for evaluation purpose only