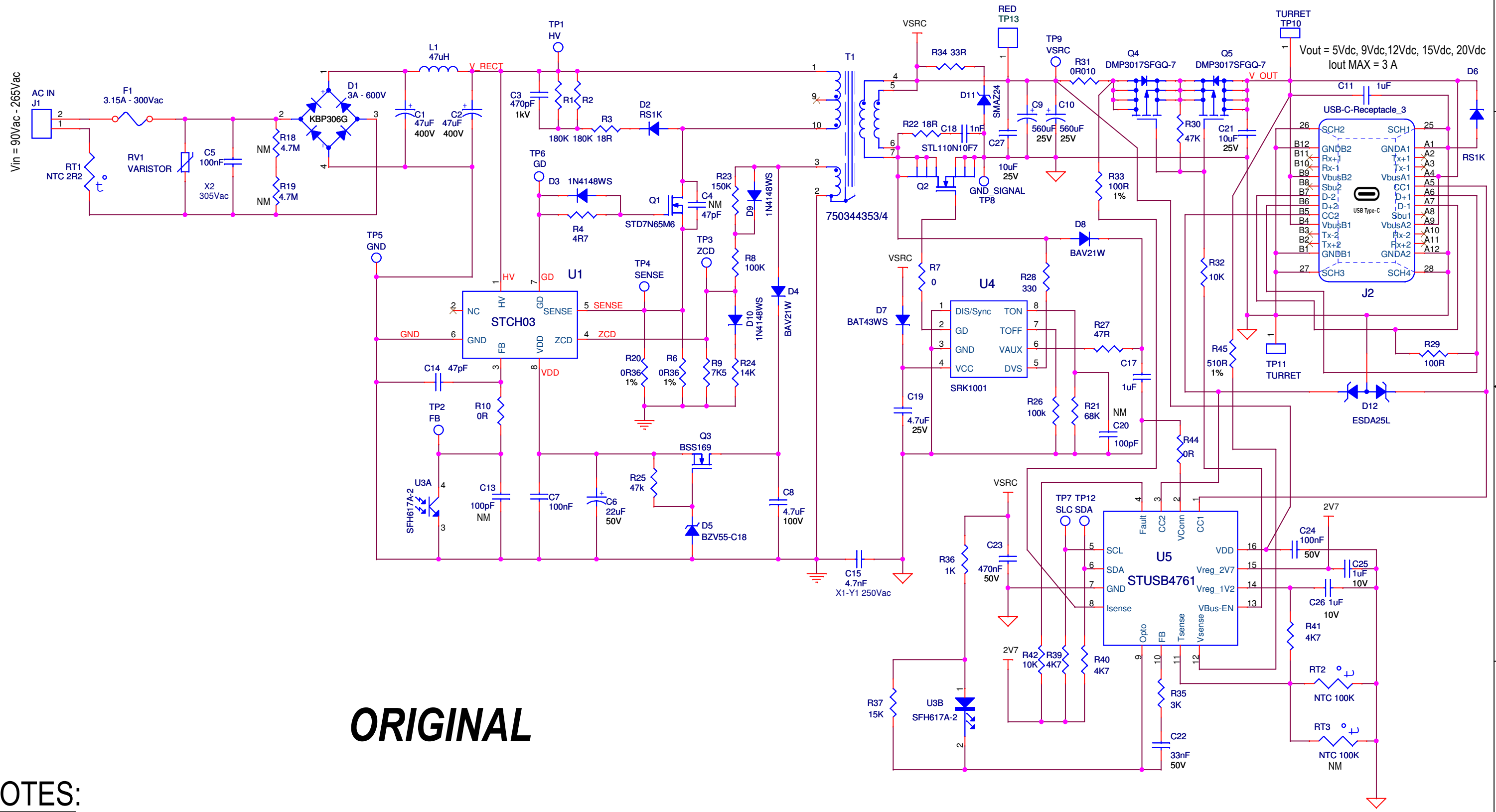



REV.	DATE	DESCRIPTION OF REVISION AND AUTHOR
PR1	23-05-19	First Issue <span style="float: right;">Vincenzo Terlizzi</span>
V01	19-09-19	Turned Q3 and eliminated L3, R46, C14, R17, R38 and C20, changed some values, R44 size and J2 connector type, added TP13 and changed Q2. <span style="float: right;">V.T.</span>
V01	01-10-19	Changed Product name from EVAL-STCH03-45WPD to EVLSTCH03-45WPD. <span style="float: right;">V.T.</span>
V02	07-02-20	Geometries Trafo footprint and bridge diode D1, fixed. <span style="float: right;">V.T.</span>



**ORIGINAL**

**NOTES:**

- NM => Not Mounted.
- PCB => CB11.V02.



life.augmented  
**AMG ANALOG**  
Copyright STMicroelectronics.  
Unauthorized reproduction and  
communication are strictly prohibited.

**SCHEMATIC DIAGRAM**

Doc. ref.: **EVLSTCH03-45WPD**

Drawing No.:

Drawn by: Approved by:

Passed by: Date: 14-03-19 Sheet 1 of 1