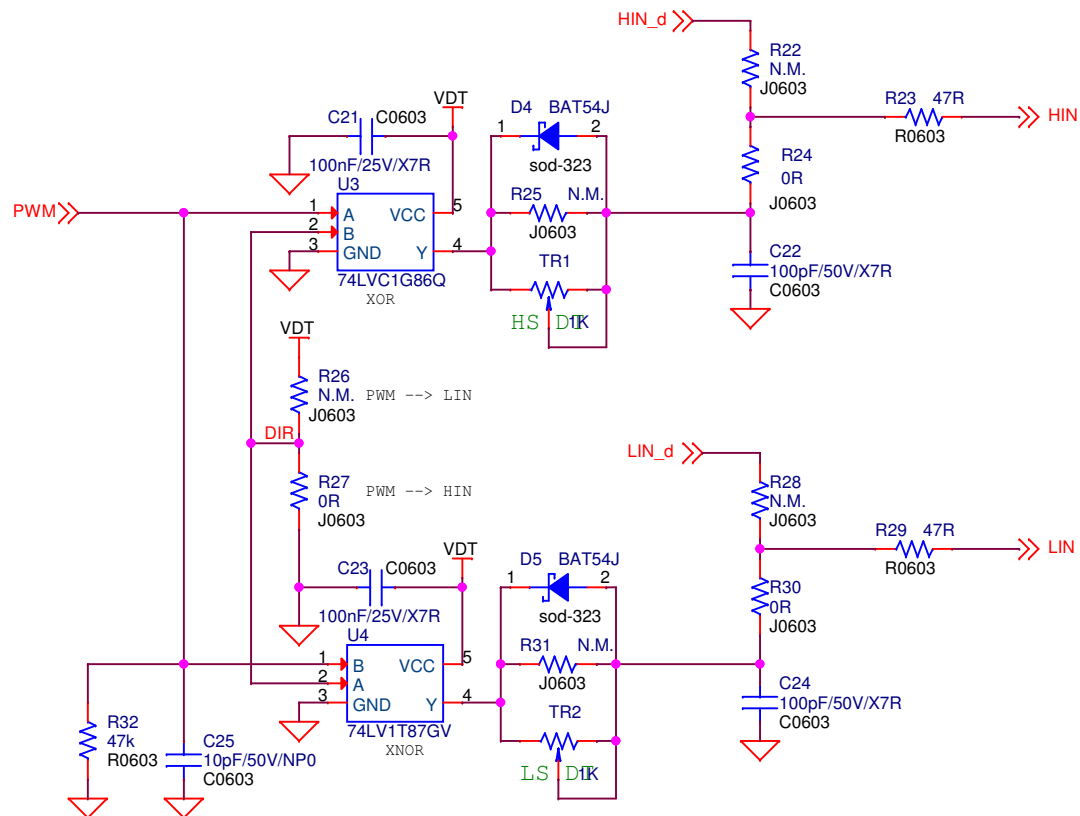
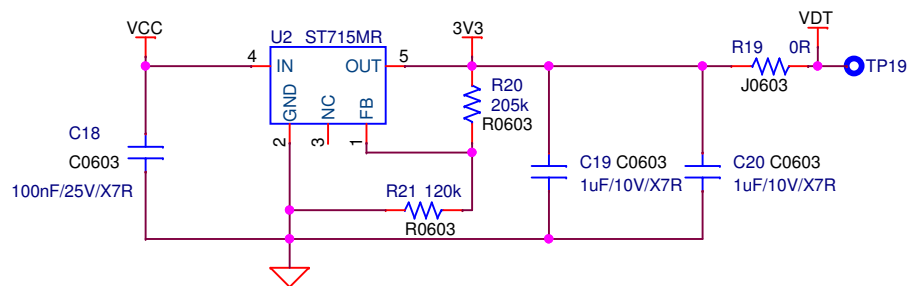

 life.augmented		Board Title <b>EVLSTDRIVEG610Q_R2.0</b>		This drawing and the information herein are property of STMicroelectronics and are intended for evaluation purpose only	
		Sheet Title <b>1_EVLSTDRIVEG610Q</b>			
Doc No	Date	Rev	Sheet		
	Tuesday, January 07, 2025	R 2.0	1 / 2		



 life.augmented	Board Title EVLSTDRIVEG610Q_R2.0			This drawing and the information herein are property of STMicroelectronics and are intended for evaluation purpose only
	Sheet Title 2_Ancillary			
Doc No	Date Tuesday, January 07, 2025	Rev R 2.0	Sheet 2 / 2	