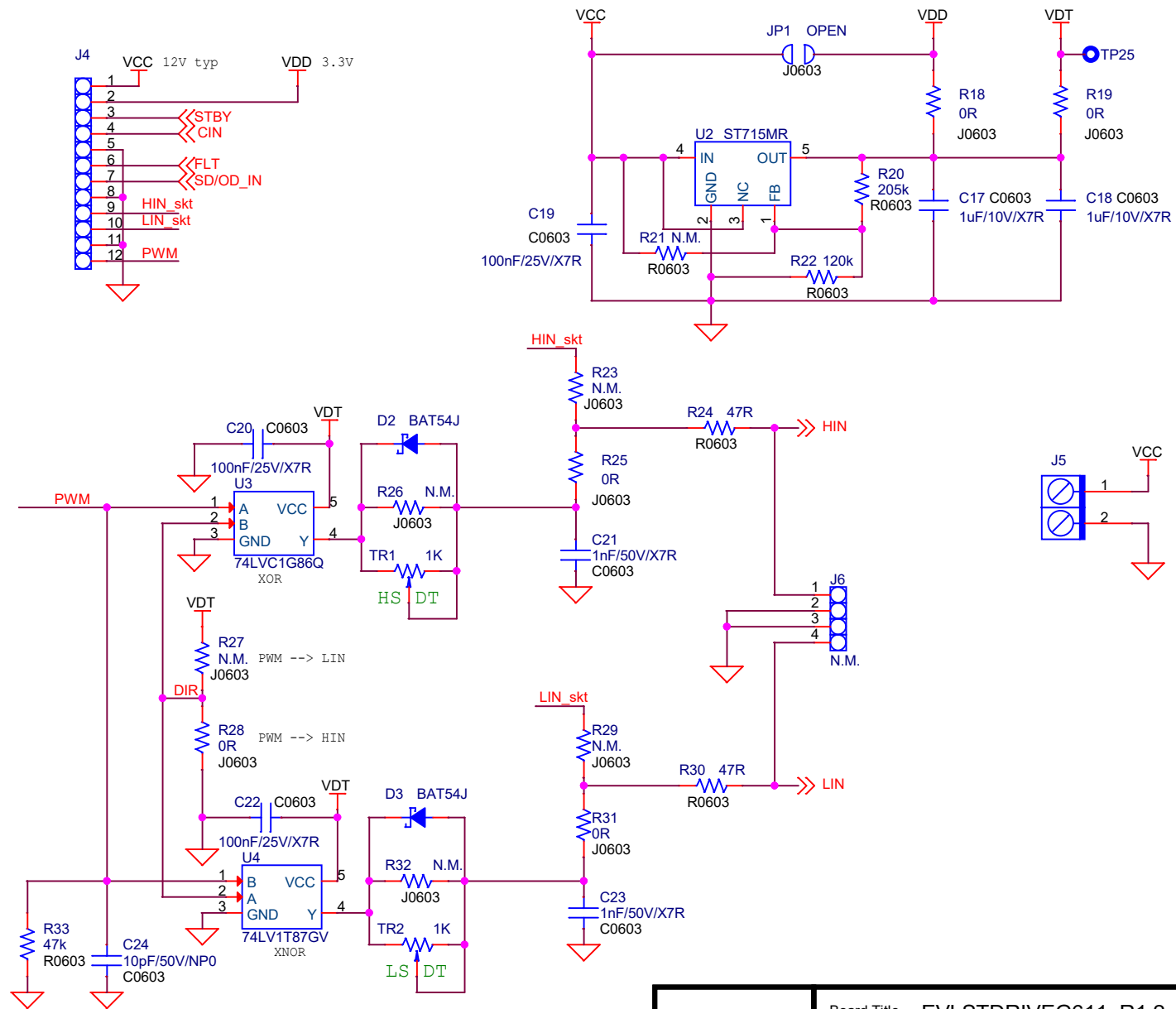

 life.augmented	Board Title EVLSTDRIVEG611_R1.2			
	Sheet Title EVLSTDRIVEG611			
Doc No	Date	Rev	Sheet	
	Thursday, December 14, 2023	R 1.2	1 / 2	

This drawing and the information herein are property of STMicroelectronics and are intended for evaluation purpose only



 life.augmented	Board Title EVLSTDRIVEG611_R1.2			This drawing and the information herein are property of STMicroelectronics and are intended for evaluation purpose only
	Sheet Title EVLSTDRIVEG611			
Doc No	Date	Rev	Sheet	
	Thursday, December 14, 2023	R 1.2	2 / 2	