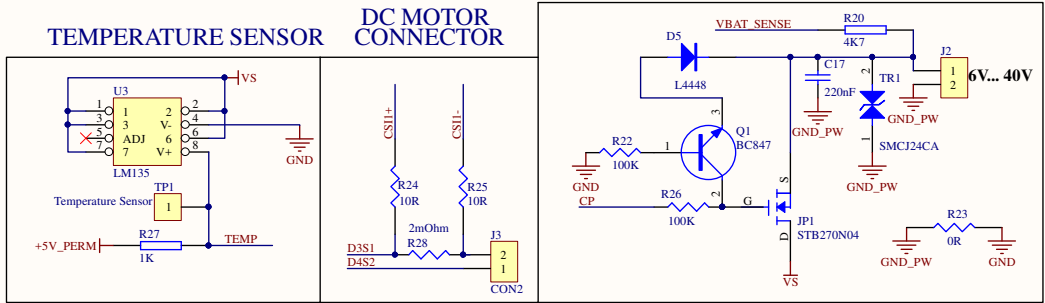


REVERSE BATTERY & VB CONNECTOR



Title		
L99H02XP for STM8A application board		
Size	Number	Revision
A3		1.0
Date:	3/24/2021	Sheet 1 of 1
File:	C:\Users\...\.L99H02XP for STM8 V1.0.SchDrawn By:	