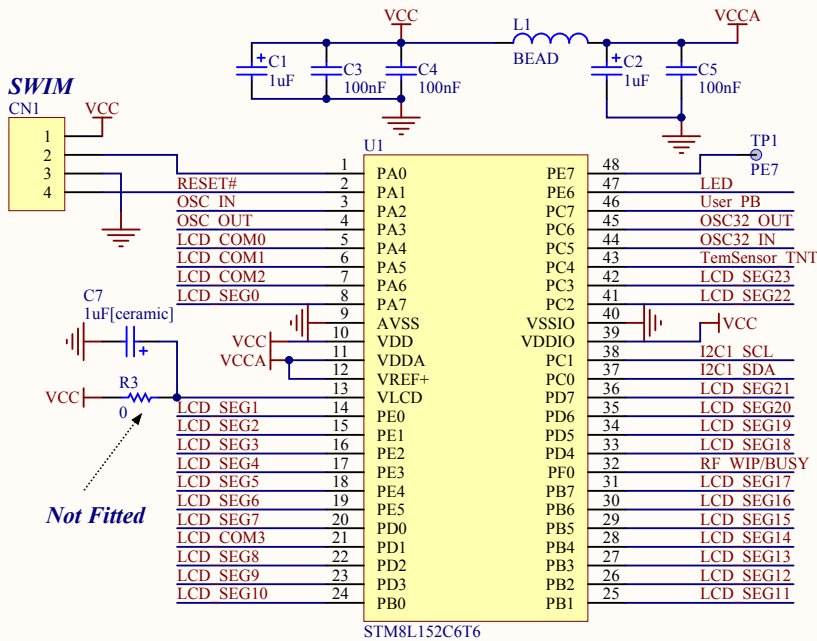


A

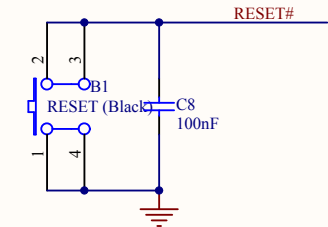
A

B

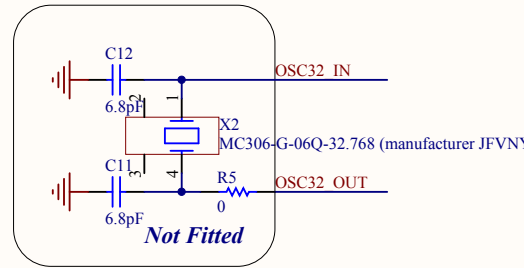
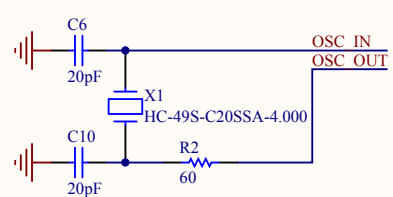
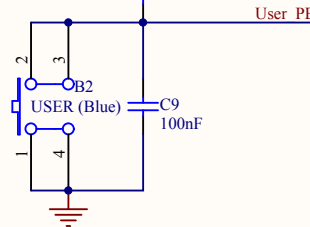
B



RESET



User

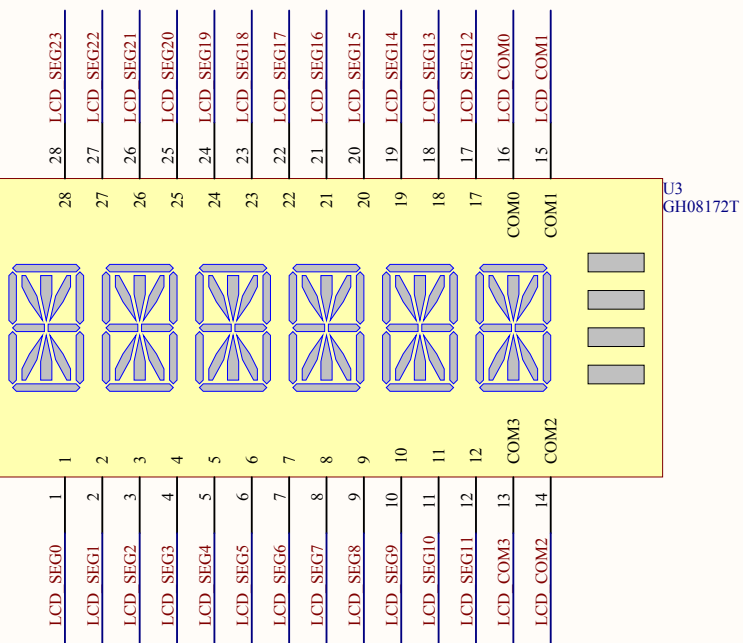


C

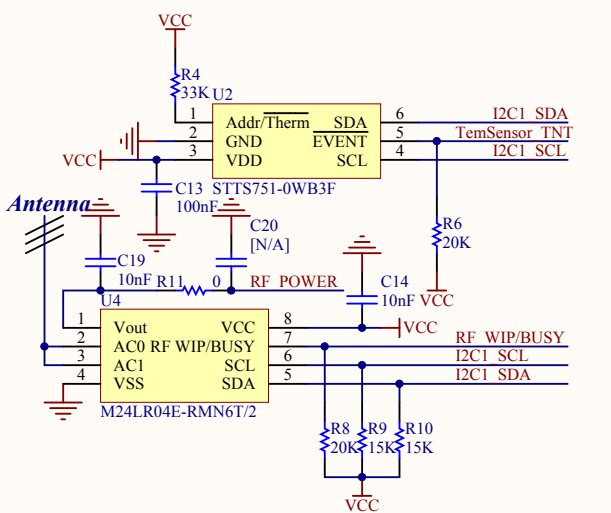
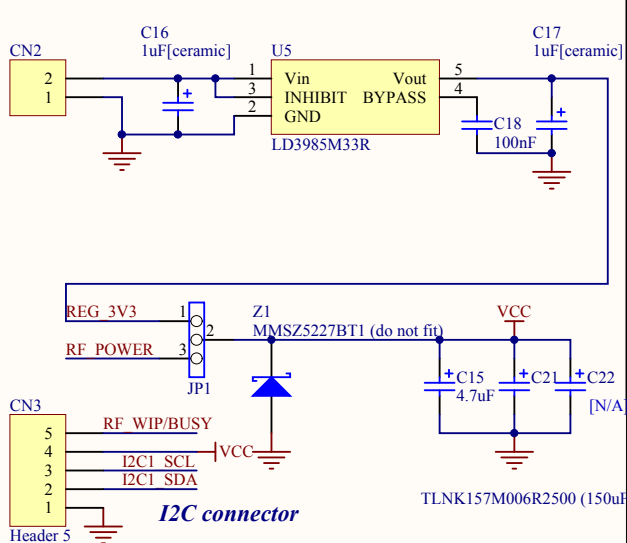
C

D

D



External DC +3V3-6V



STMicroelectronics

M24lr04e-discovery

Title: M24lr04e-discovery

Number: MB1021 | Rev: C.1(PCB.SCH) | Date: 02/04/2012 | Sheet 1 of 1