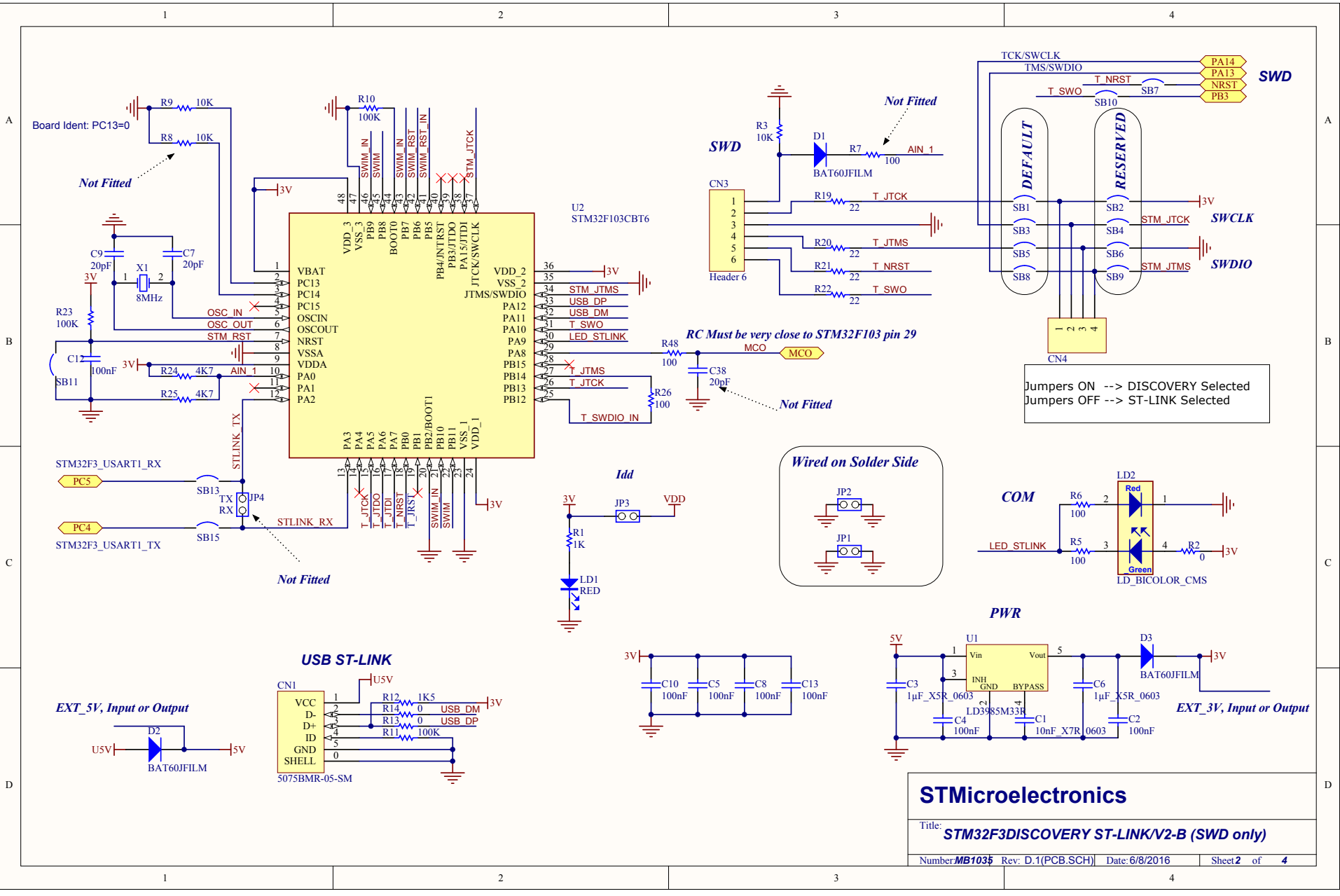


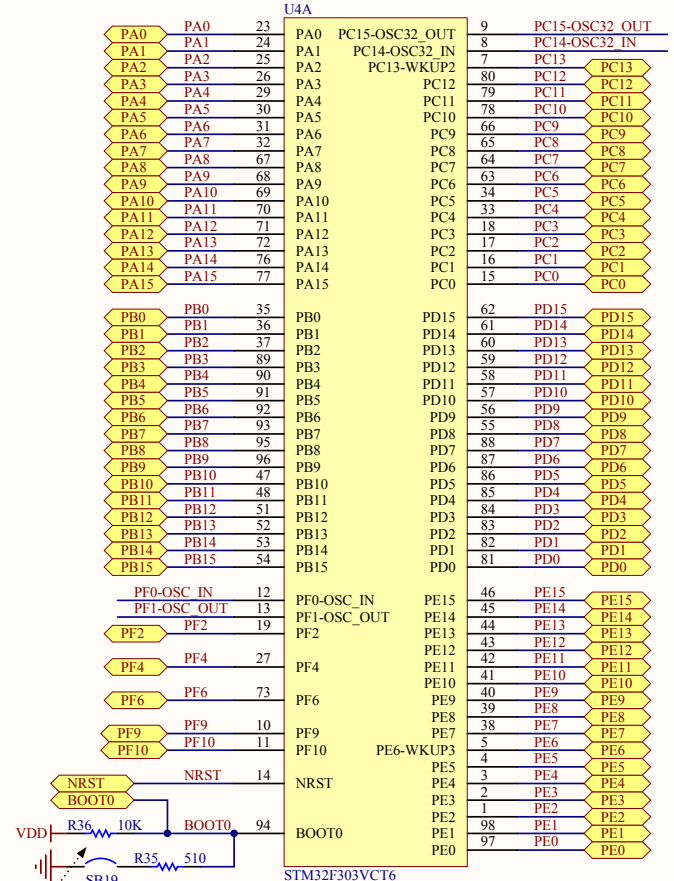
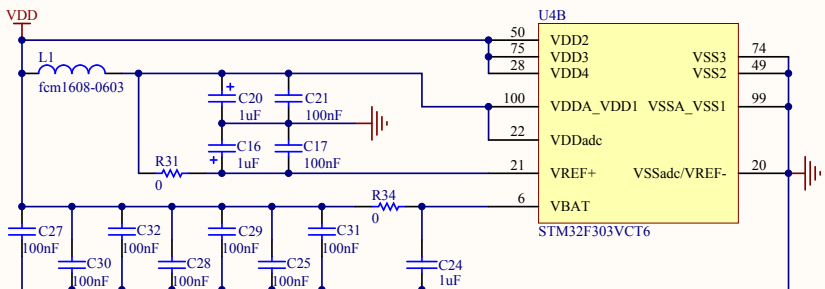
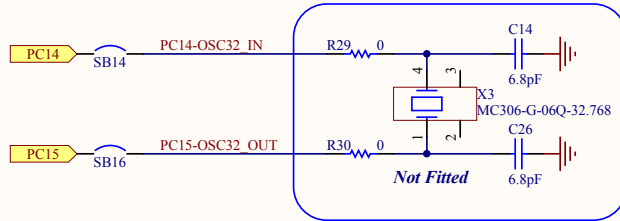
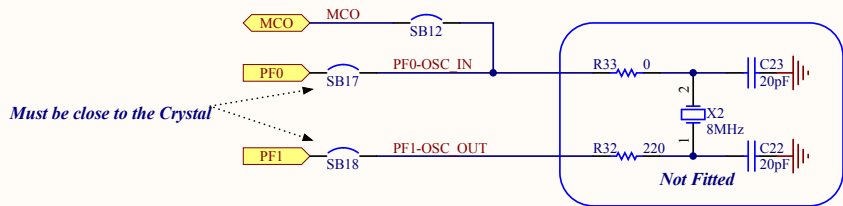
Rev D.1 --> PCB label MB1035 D-01, only silkscreen modification  
 STM32F303C-DIS1 replaced by STM32F3DISCOVERY  
 Rev C.1 --> PCB label MB1035 C-01, SB13 and SB15 closed.  
 STM32F103C8T6 replaced by STM32F103CBT6, ST-LINK/V2-B  
 Rev B.1 --> PCB B-00, reverse LEDs Colors Red/Blue on sheet 4, only a picture modification  
 Rev B.0 --> PCB B-00, added 2 SB to isolate USB USER  
 Rev A.0 --> First Version

# STMicroelectronics

Title: **STM32F3DISCOVERY**

Number **MB1035** Rev: D.1(PCB.SCH) Date: 6/8/2016 Sheet **1** of **4**

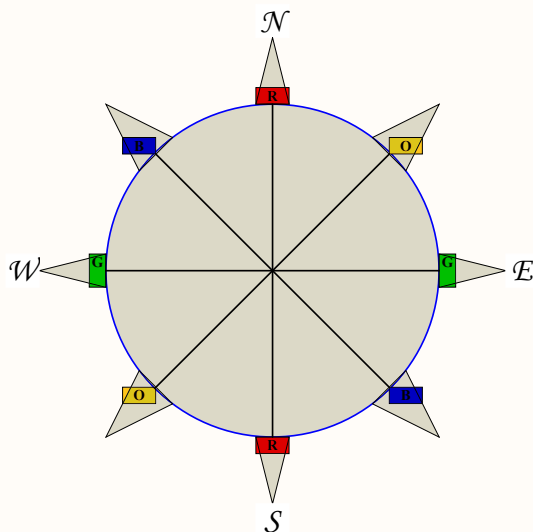
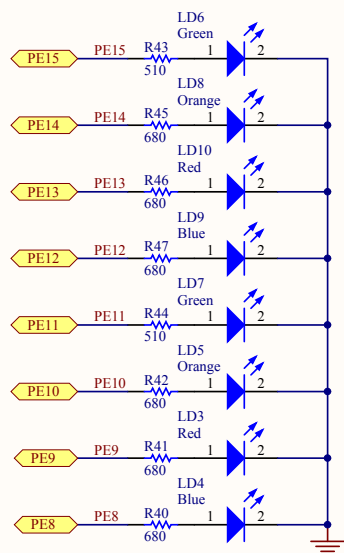
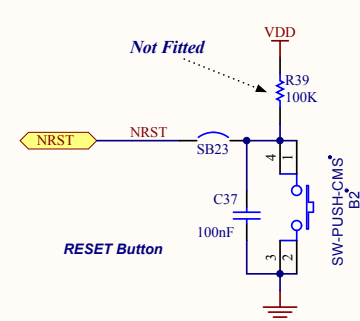
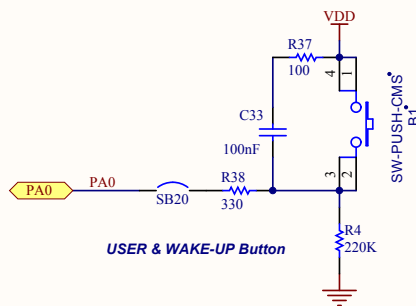
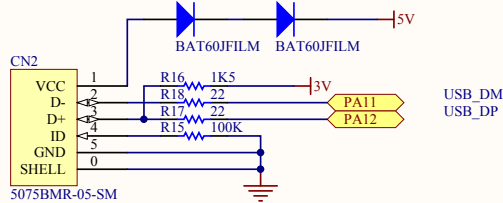




# STMicroelectronics

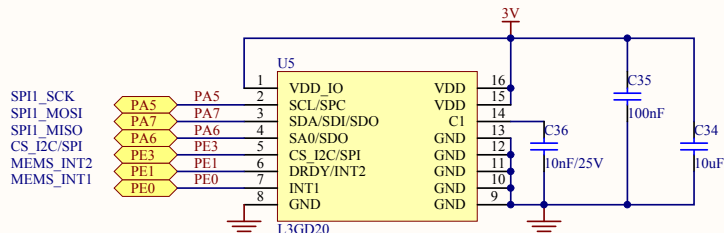
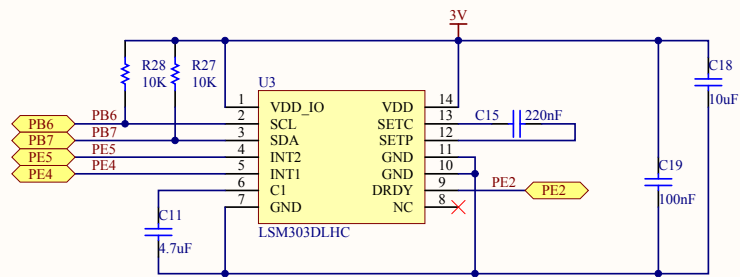
Title: **STM32F3DISCOVERY - STM32F303VCT6 MCU**

**USB User**



LEDs

*Silkscreen for Gyroscope and E-compass with accelerometer*



MEMS

**STMicroelectronics**

Title: **STM32F3DISCOVERY Peripherals**

Number **MB1035** Rev: D.1(PCB.SCH) Date: 6/8/2016 Sheet 4 of 4