

STM32F746G-DISCO

MB1191

Table of contents

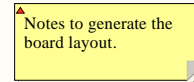
Sheet 1: Project overview (this page)
Sheet 2: Top
Sheet 3: STM32F746NGH6 Connexion
Sheet 4: ST-LINK/V2-1 with support of SWD only
Sheet 5: Joystick, ACP, LEDs and Push Button
Sheet 6: Audio Codec WOLFSON and connectors
Sheet 7: Quad SPI Flash Memory (MICRON)
Sheet 8: Arduino UNO connectors
Sheet 10: USB OTG FS with Micro A-B connector
Sheet 9: SDRAM (MICRON)
Sheet 11: USB OTG HS PHY with Micro A-B connector
Sheet 12: Ethernet PHY with RJ45 connector
Sheet 13: External Camera connector
Sheet 14: LCD 4.3" with Capacitive Touch

Legend

General comment such as function title, configuration, ...

Text to be added to silkscreen.

Warning text.



Open Platform License Agreement

The Open Platform License Agreement (“Agreement”) is a binding legal contract between you (“You”) and STMicroelectronics International N.V. (“ST”), a company incorporated under the laws of the Netherlands acting for the purpose of this Agreement through its Swiss branch 39, Chemin du Champ des Filles, 1228 Plan-les-Ouates, Geneva, Switzerland.

By using the enclosed reference designs, schematics, PC board layouts, and documentation, in hardcopy or CAD tool file format (collectively, the “Reference Material”), You are agreeing to be bound by the terms and conditions of this Agreement. Do not use the Reference Material until You have read and agreed to this Agreement terms and conditions. The use of the Reference Material automatically implies the acceptance of the Agreement terms and conditions.

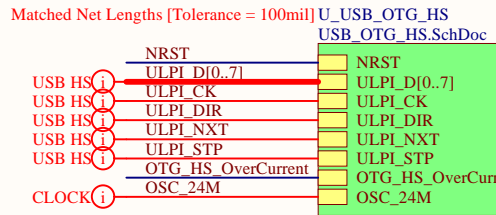
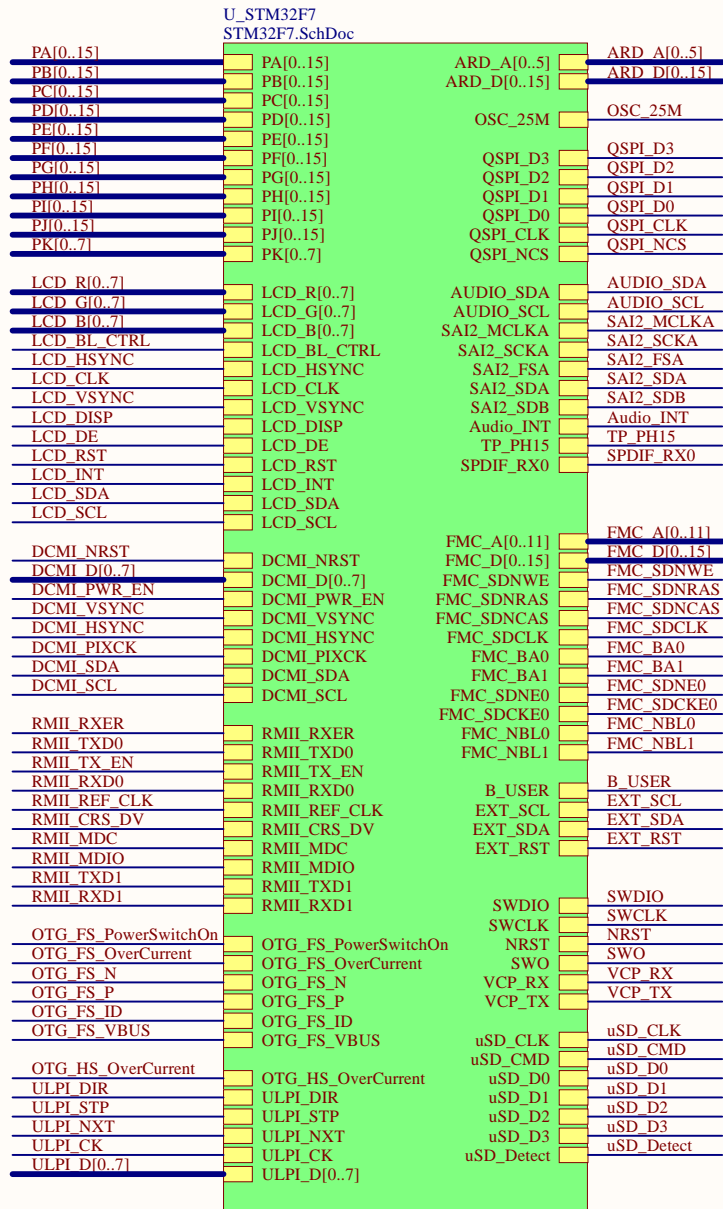
The complete Open Platform License Agreement can be found on www.st.com/opla.

U_Top
Top.SchDoc

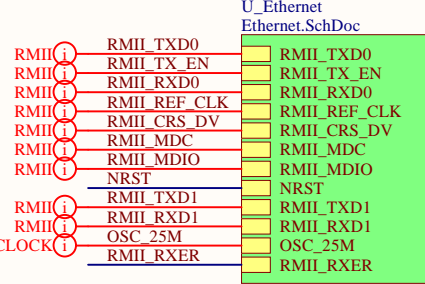


Title: Project overview		
Project: STM32F746G-DISCO		
Variant: F746NGH6		
Revision: B-04		Reference: MB1191
Size: A4	Date: 15/07/2019	Sheet: 1 of 14

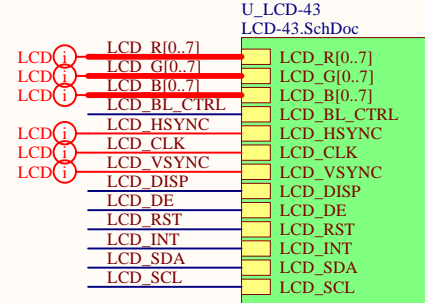




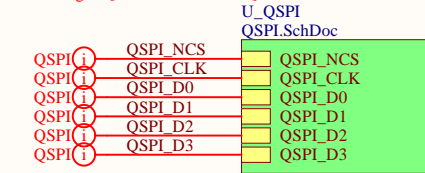
Matched Net Lengths [Tolerance = 100mil]



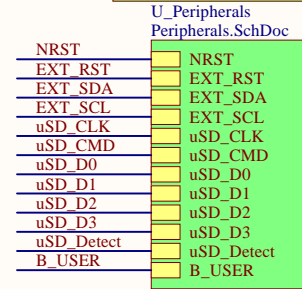
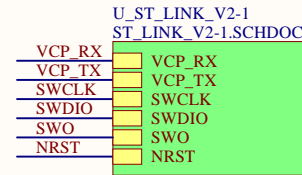
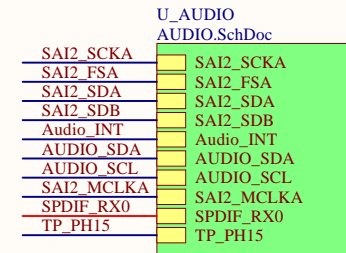
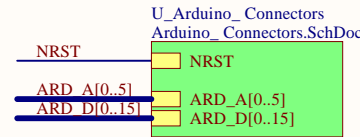
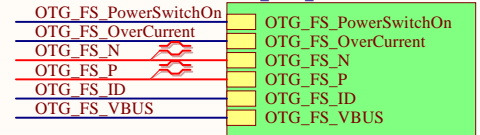
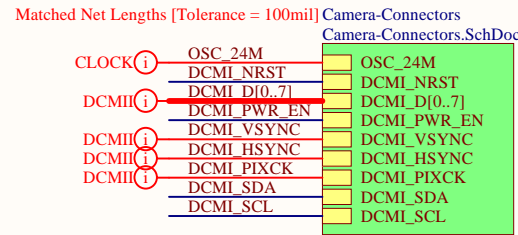
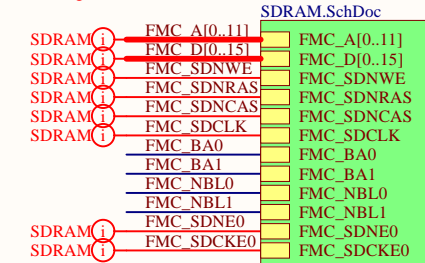
Matched Net Lengths [Tolerance = 100mil]



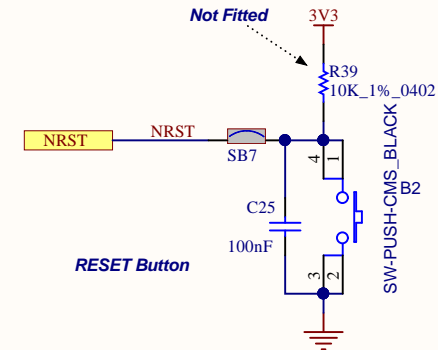
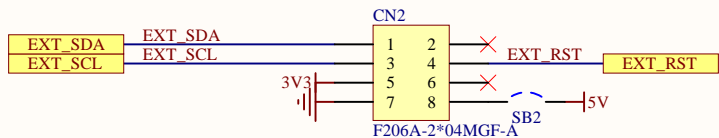
Matched Net Lengths [Tolerance = 100mil]



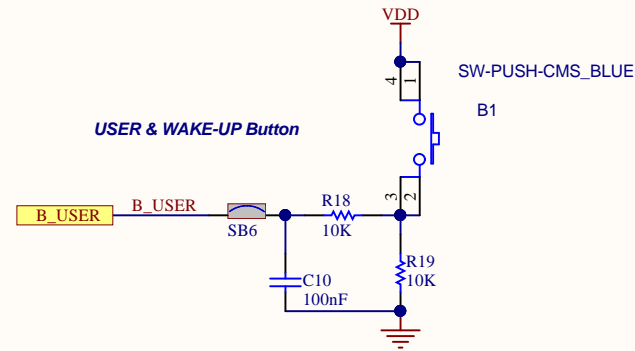
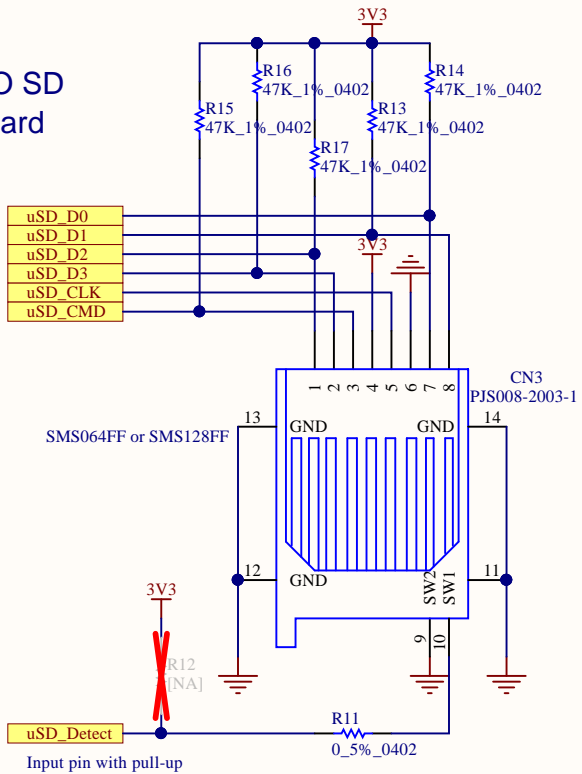
Matched Net Lengths [Tolerance = 100mil]

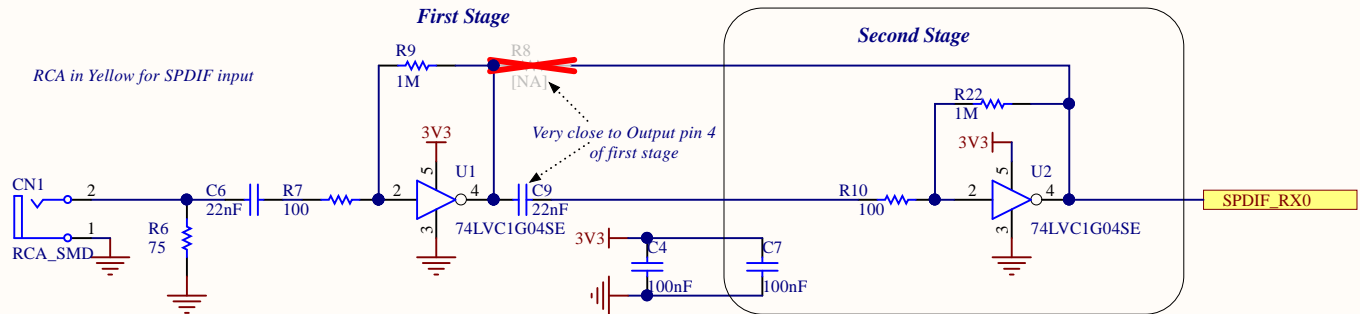
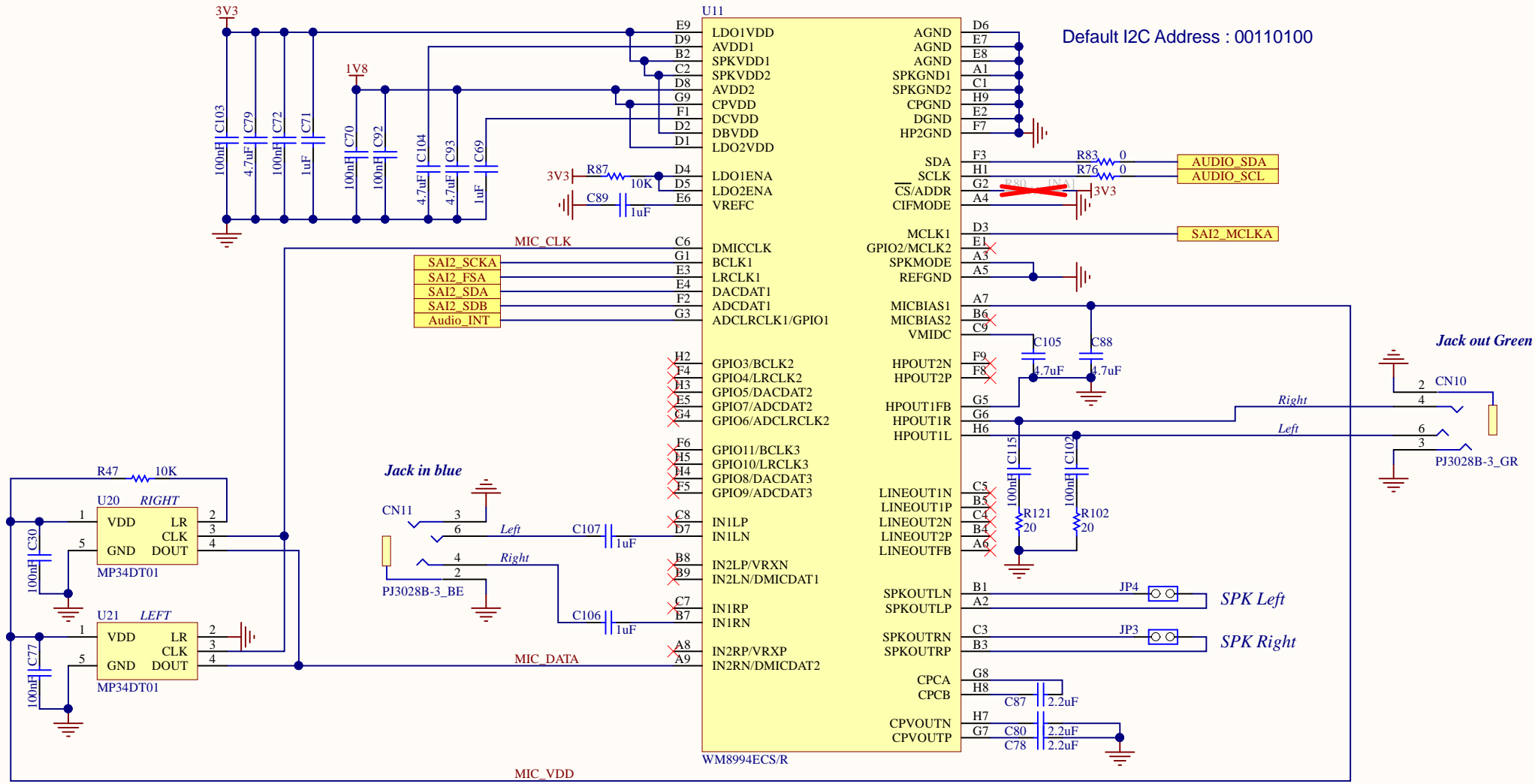


EXT/RF E2P Connector

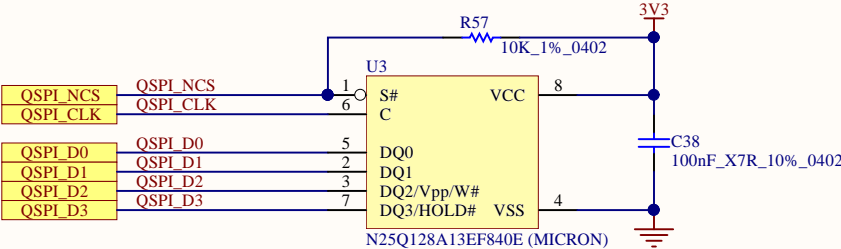


MICRO SD (TF) Card

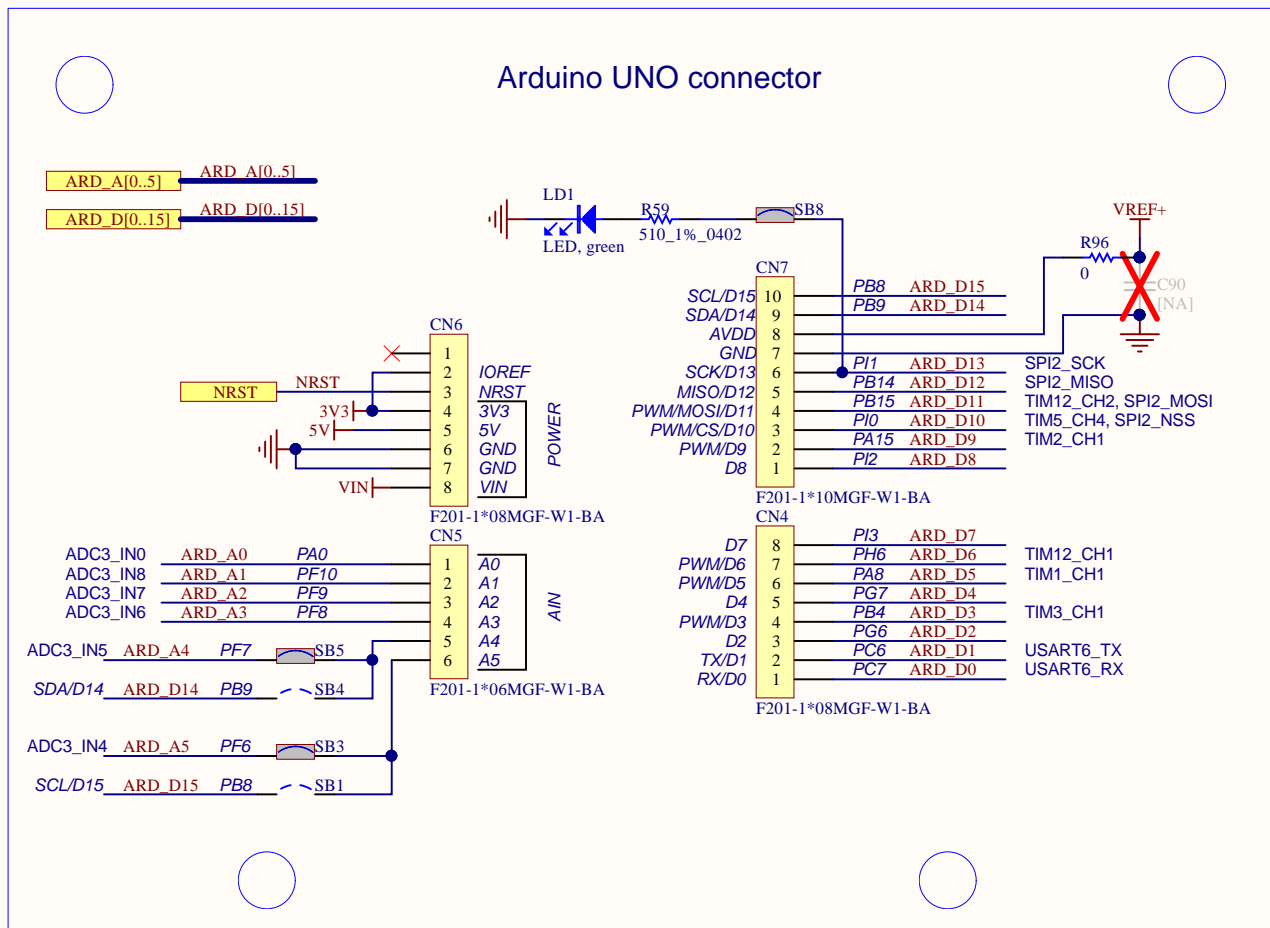


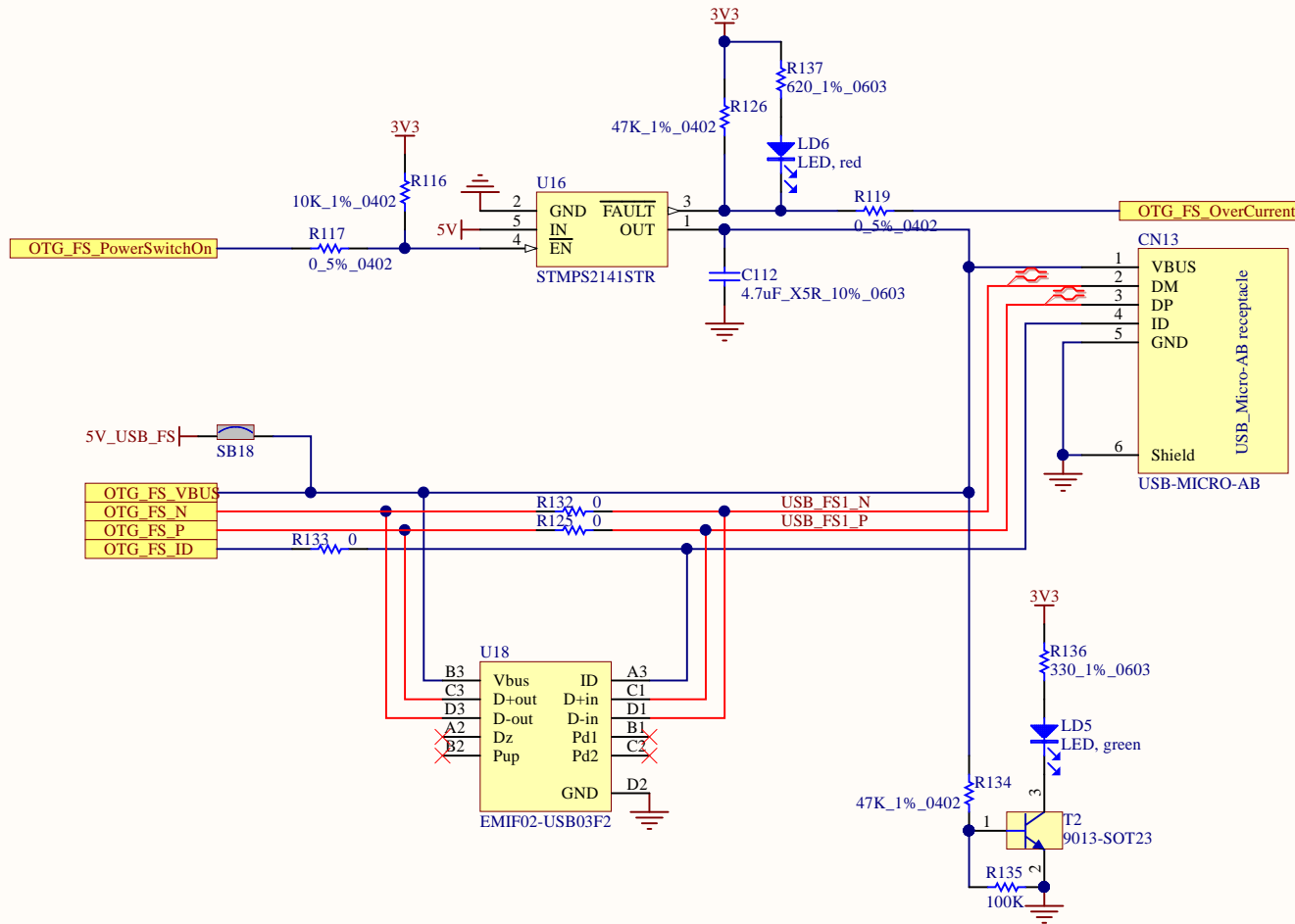


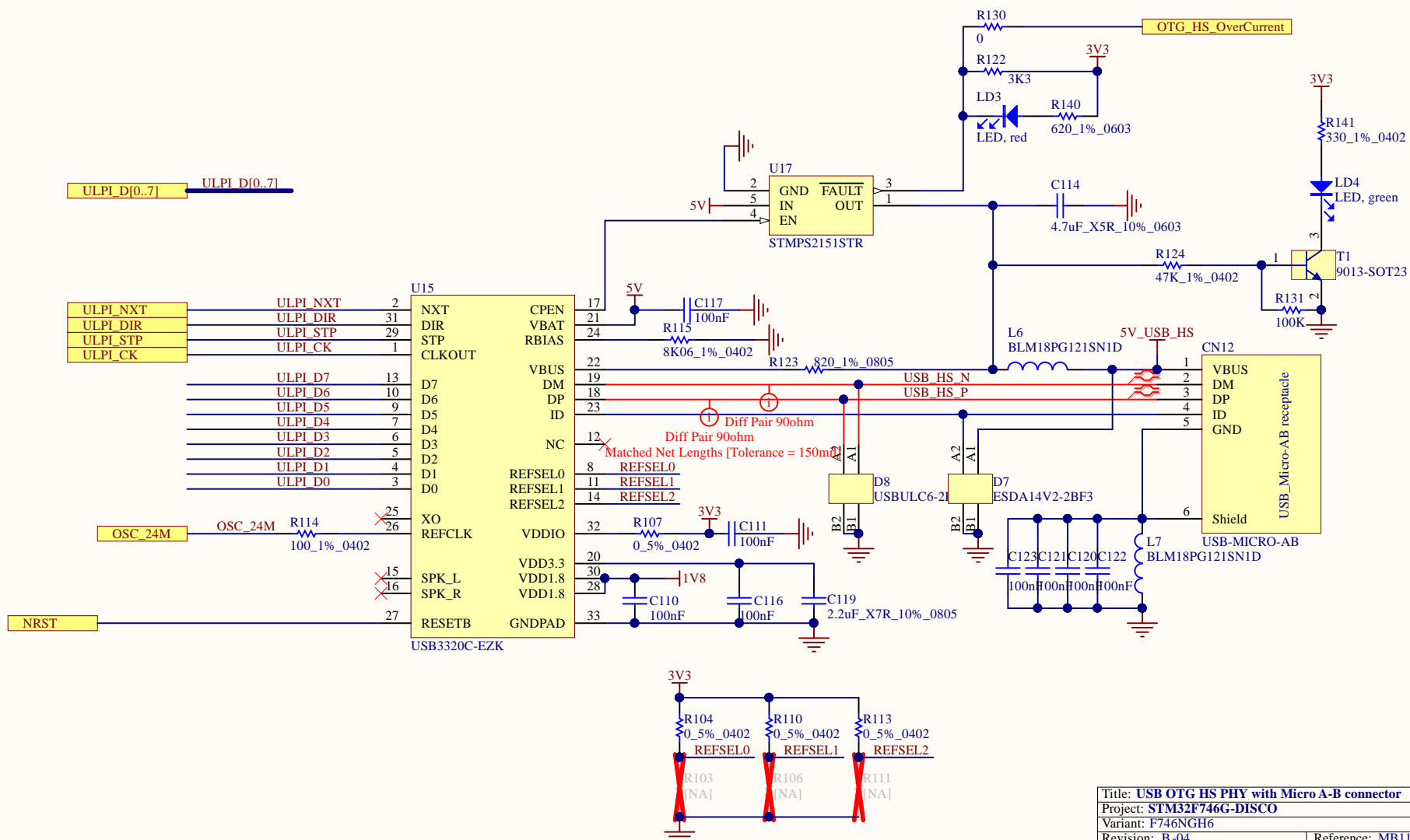
Quad SPI Flash Memory

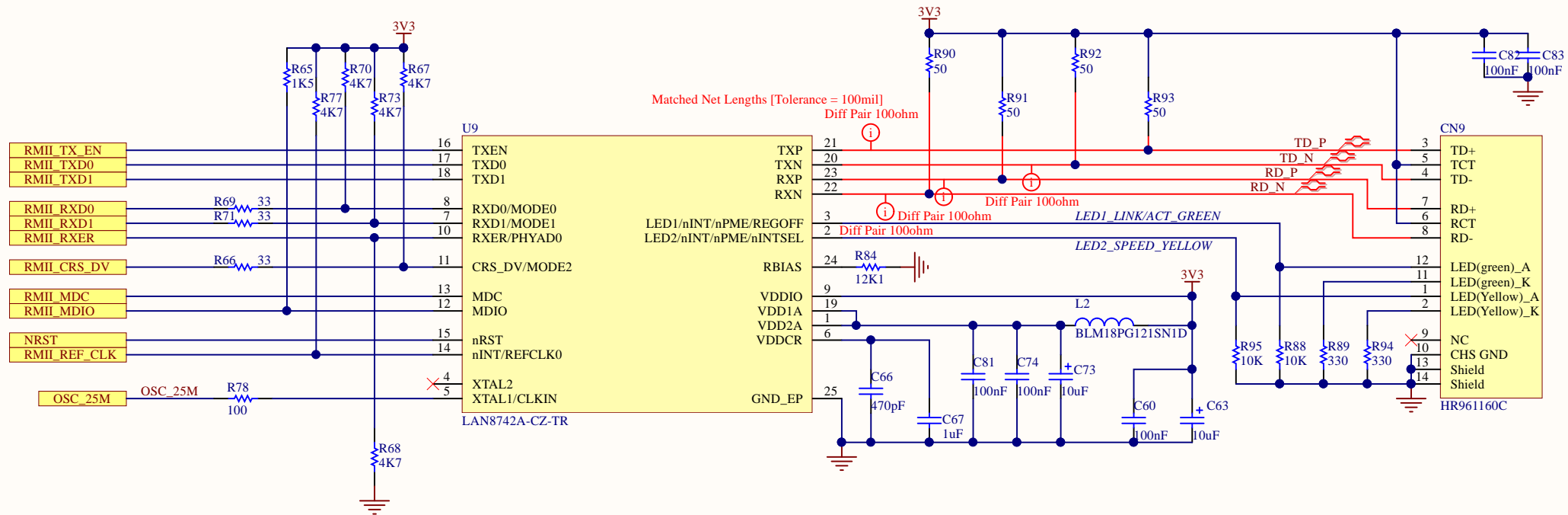


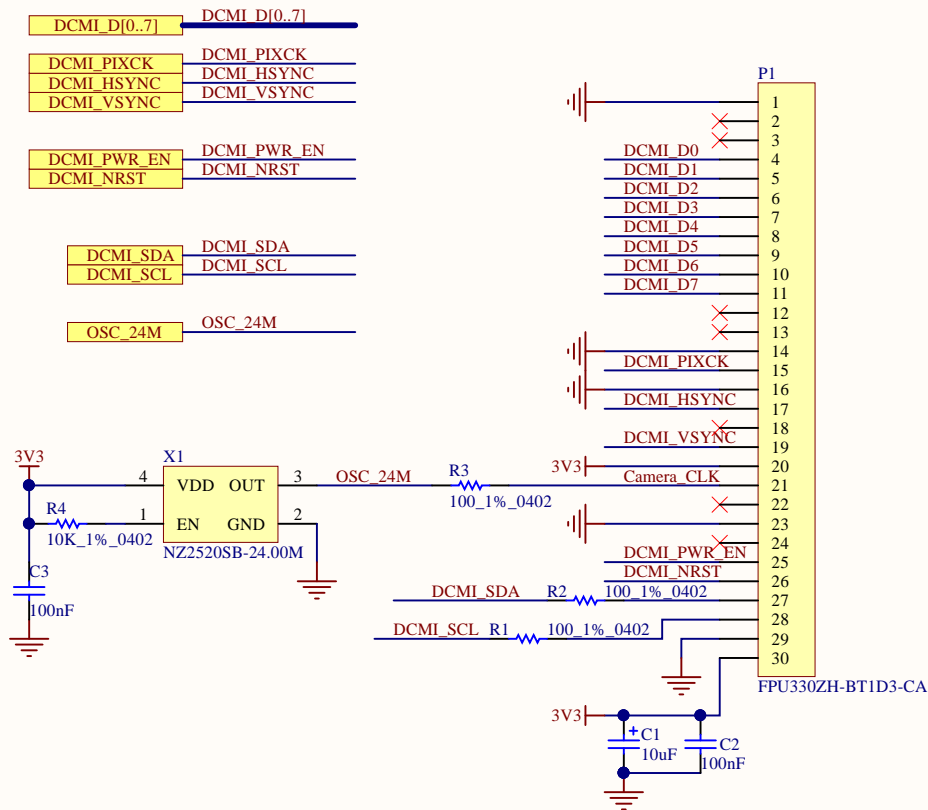
Arduino UNO connector

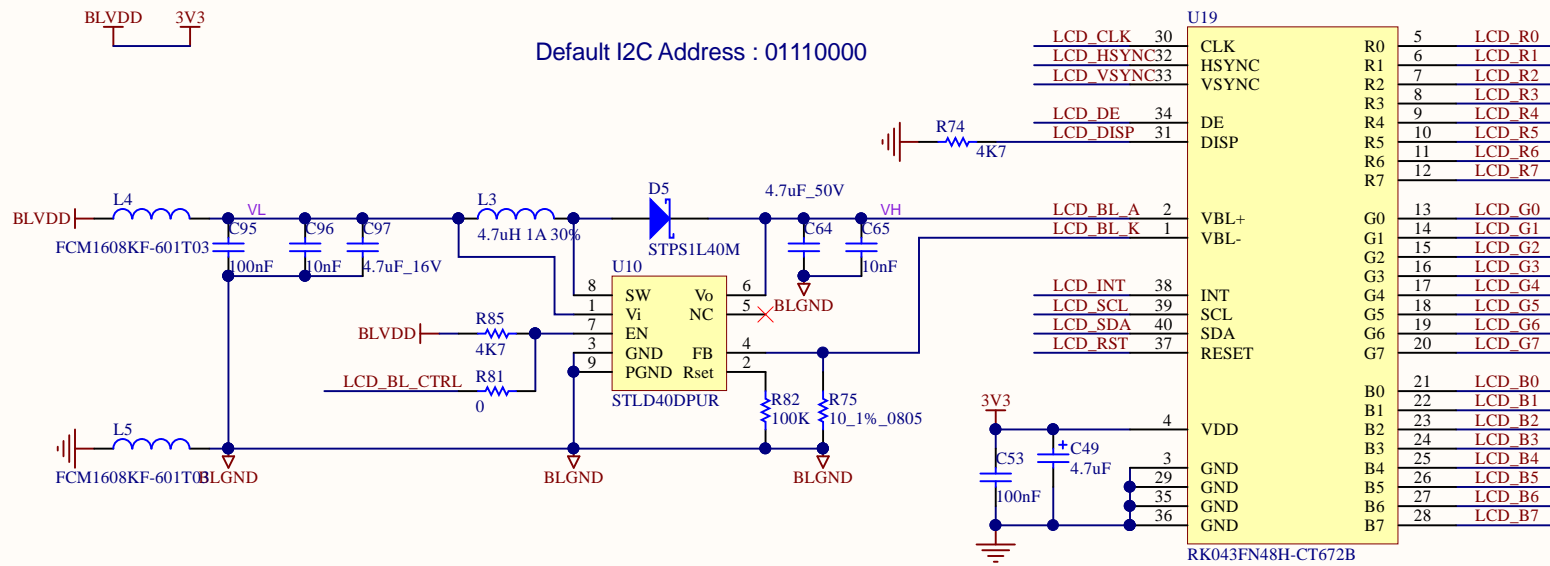






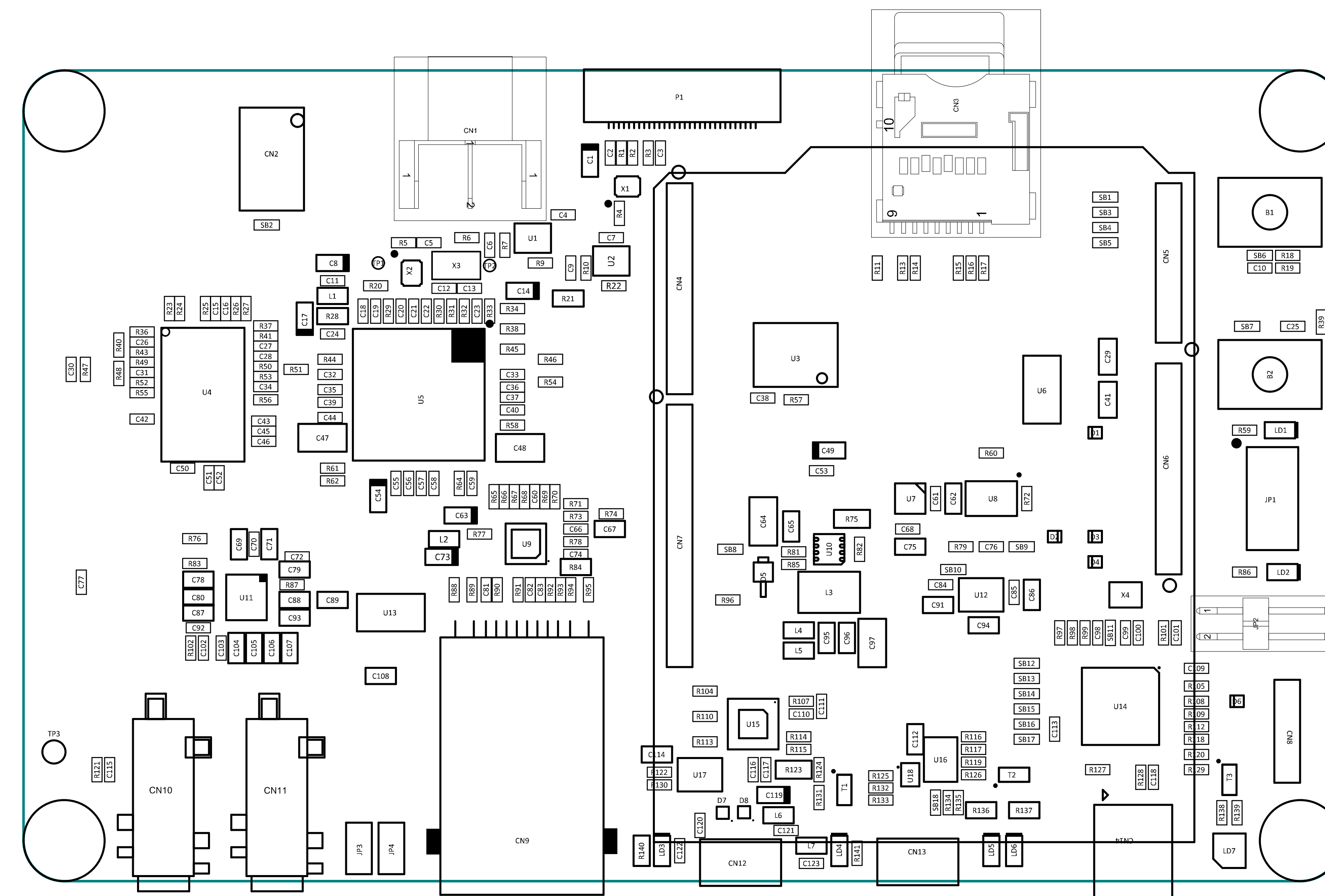






Backlight driver & PFC of LCD panel

LCD_G[0..7]	LCD_G[0..7]
LCD_B[0..7]	LCD_B[0..7]
LCD_R[0..7]	LCD_R[0..7]
LCD_BL_CTRL	LCD_BL_CTRL
LCD_CLK	LCD_CLK
LCD_HSYNC	LCD_HSYNC
LCD_VSYNC	LCD_VSYNC
LCD_DE	LCD_DE
LCD_DISP	LCD_DISP
LCD_INT	LCD_INT
LCD_RST	LCD_RST
LCD_SCL	LCD_SCL
LCD_SDA	LCD_SDA



1 2 3 4 5 6 7 8

A

A

B

B

C

C

D

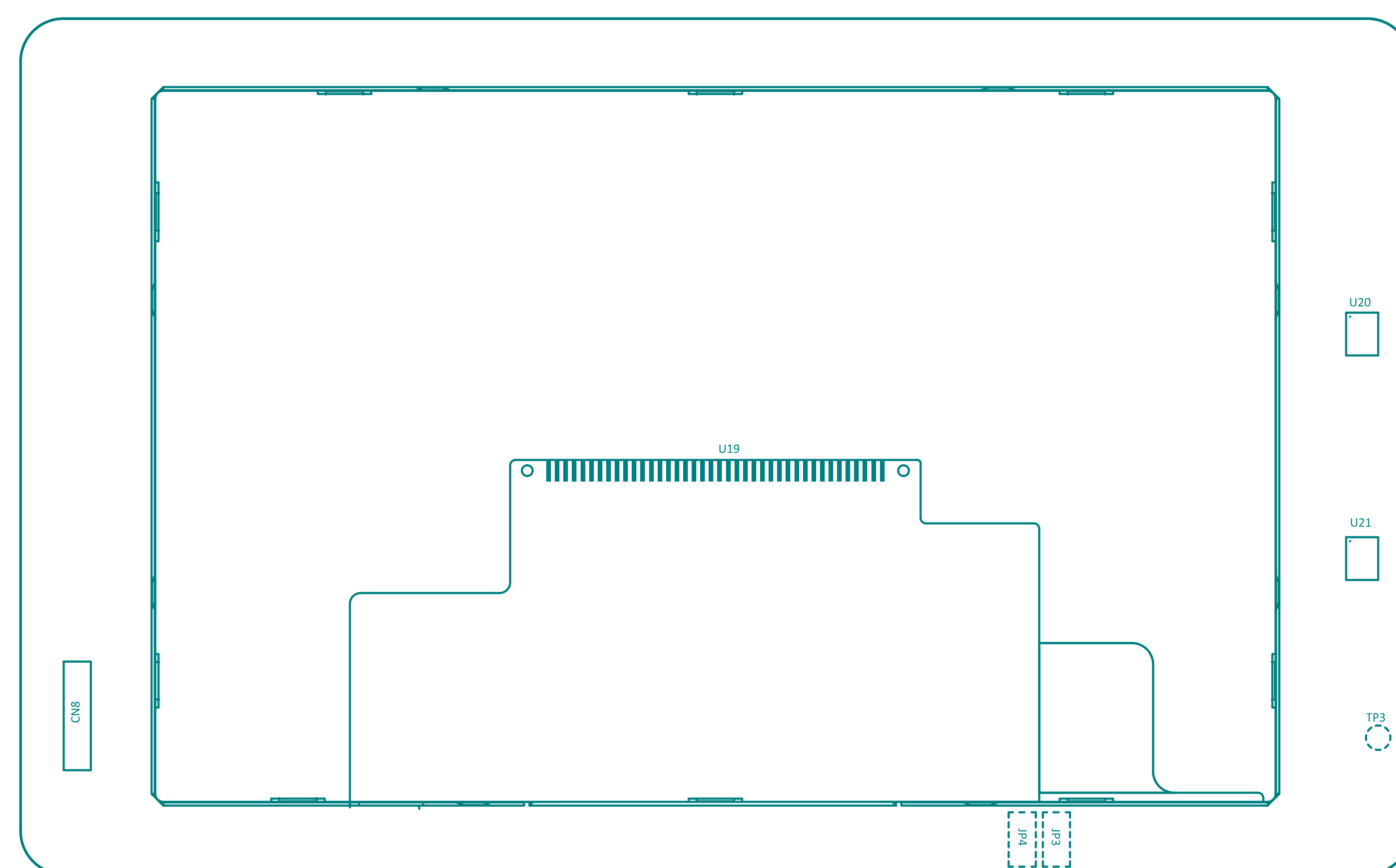
D


E

E

F

F



				16-04-2015	
Revision	DESCRIPTION	COMPAGNY	PCB DESIGNER	DATE	CHECKED BY
		TITLE Carte STM32F746G-DISCOVERY			
		REF. MB1191B	LAYER Assembly Bottom		GERBER
Ce document est la propriété de STMICROELECTRONICS et ne peut être reproduit ou transmis sans son autorisation écrite. This document is the property of STMICROELECTRONICS and shall not be reproduced nor transmitted without written approval.				A4	

1 2 3 4 5 6 7 8