

STM32F746G-DISCO

MB1191

Table of contents

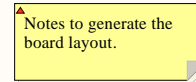
- Sheet 1: Project overview (this page)
- Sheet 2: Top
- Sheet 3: STM32F746NGH6 Connexion
- Sheet 4: ST-LINK/V2-1 with support of SWD only
- Sheet 5: Joystick, ACP, LEDs and Push Button
- Sheet 6: Audio Codec WOLFSON and connectors
- Sheet 7: Quad SPI Flash Memory (MICRON)
- Sheet 8: Arduino UNO connectors
- Sheet 10: USB OTG FS with Micro A-B connector
- Sheet 9: SDRAM (MICRON)
- Sheet 11: USB OTG HS PHY with Micro A-B connector
- Sheet 12: Ethernet PHY with RJ45 connector
- Sheet 13: External Camera connector
- Sheet 14: LCD 4.3" with Capacitive Touch

Legend

General comment such as function title, configuration, ...

Text to be added to silkscreen.

Warning text.



Open Platform License Agreement

The Open Platform License Agreement (“Agreement”) is a binding legal contract between you (“You”) and STMicroelectronics International N.V. (“ST”), a company incorporated under the laws of the Netherlands acting for the purpose of this Agreement through its Swiss branch 39, Chemin du Champ des Filles, 1228 Plan-les-Ouates, Geneva, Switzerland.

By using the enclosed reference designs, schematics, PC board layouts, and documentation, in hardcopy or CAD tool file format (collectively, the “Reference Material”), You are agreeing to be bound by the terms and conditions of this Agreement. Do not use the Reference Material until You have read and agreed to this Agreement terms and conditions. The use of the Reference Material automatically implies the acceptance of the Agreement terms and conditions.

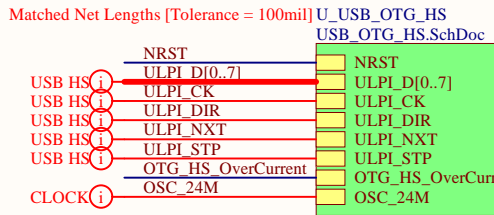
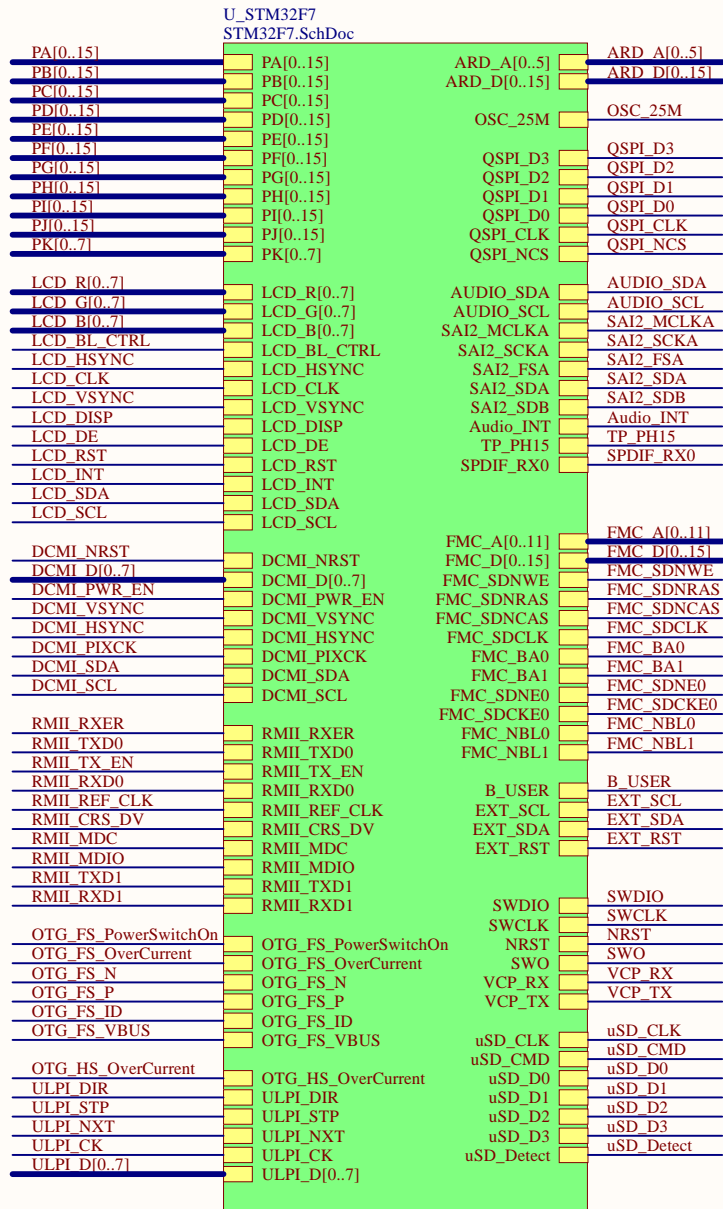
The complete Open Platform License Agreement can be found on www.st.com/opla.

U_Top
Top.SchDoc

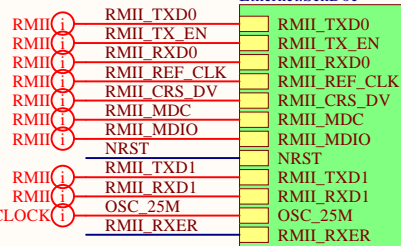


Title: Project overview		
Project: STM32F746G-DISCO		
Variant: F746NGH6		
Revision: B-05		Reference: MB1191
Size: A4	Date: 17/07/2019	Sheet: 1 of 14

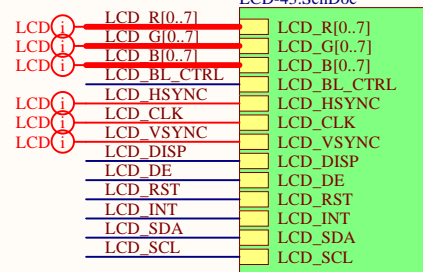




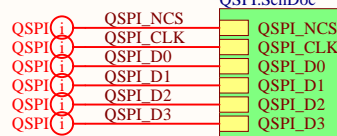
Matched Net Lengths [Tolerance = 100mil]



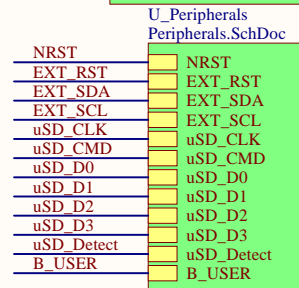
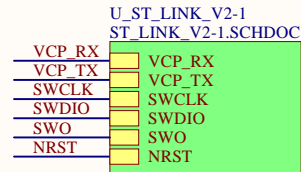
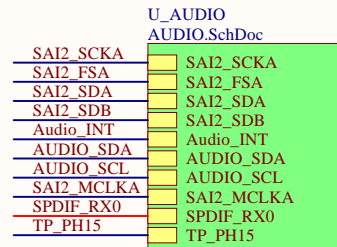
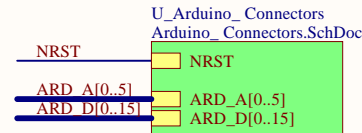
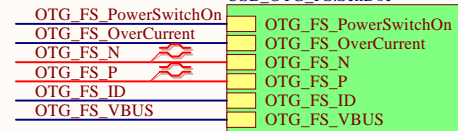
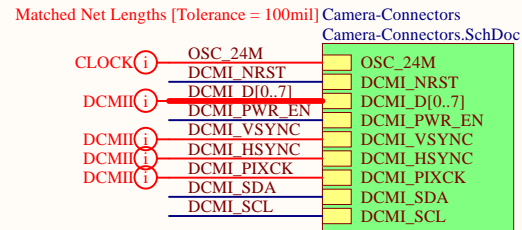
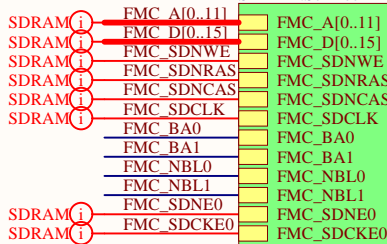
Matched Net Lengths [Tolerance = 100mil]

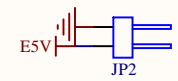
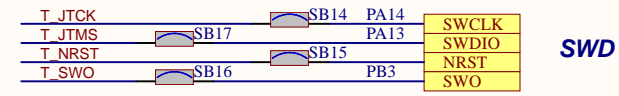
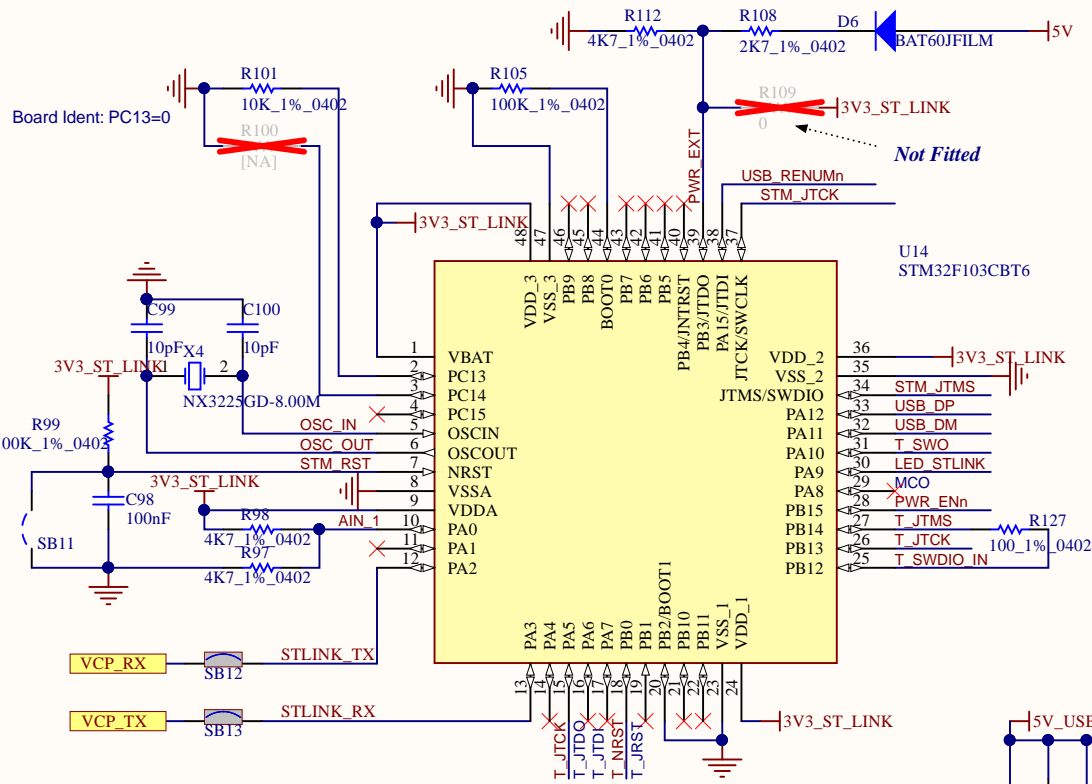


Matched Net Lengths [Tolerance = 100mil]



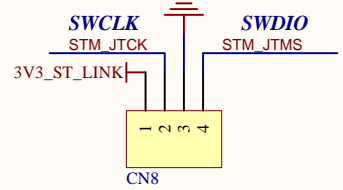
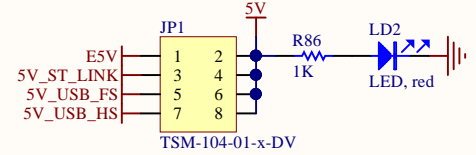
Matched Net Lengths [Tolerance = 100mil]



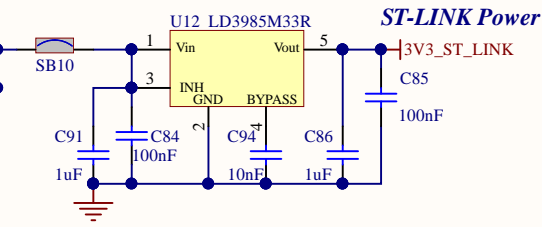
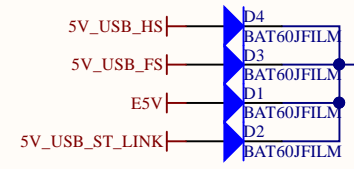


Not Fitted, must be on a border or the PCB.

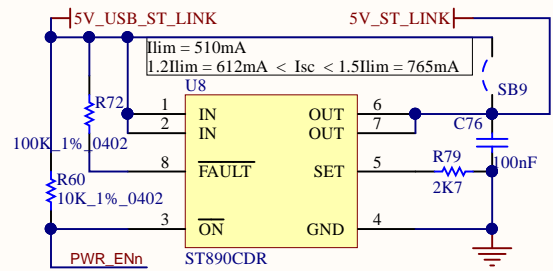
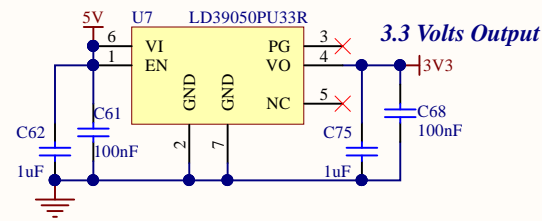
5 Volts Power Supply



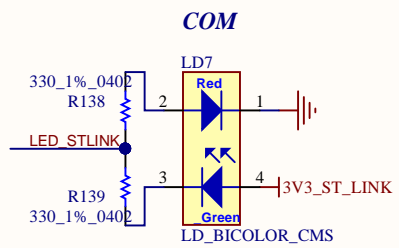
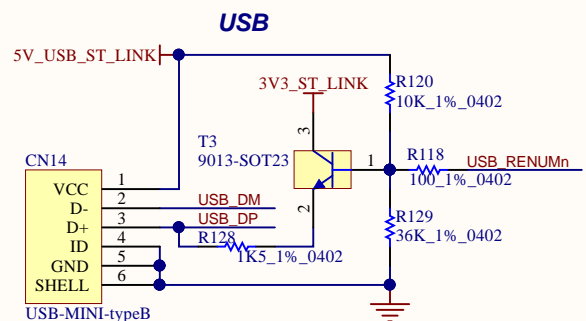
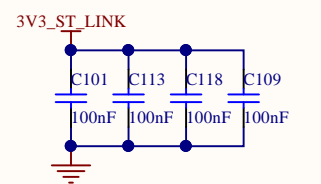
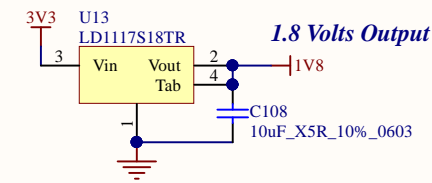
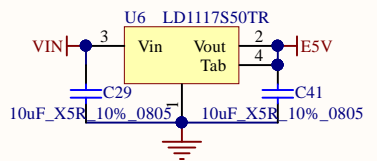
Not Fitted, must be on a border or the PCB.



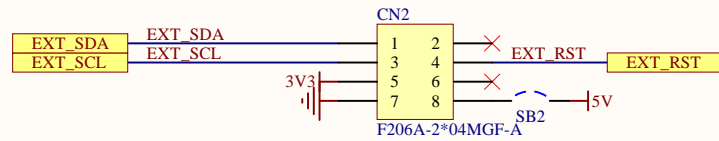
5 Volts Output



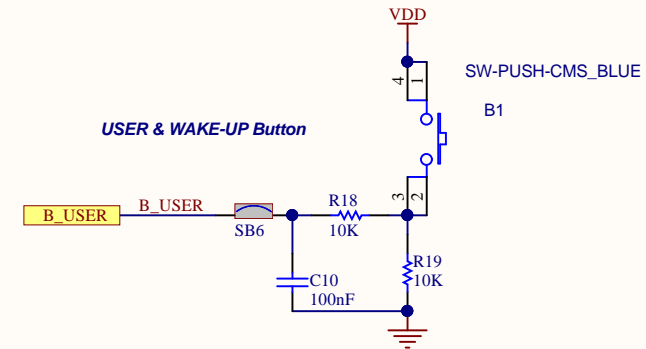
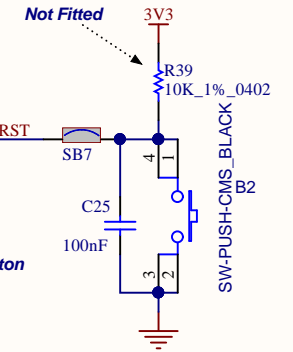
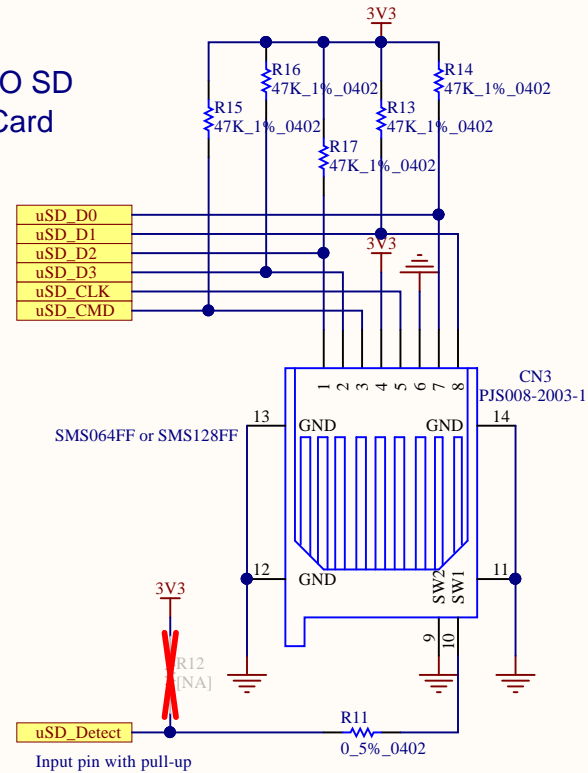
Arduino UNO power pin

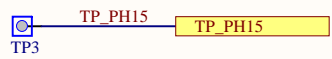
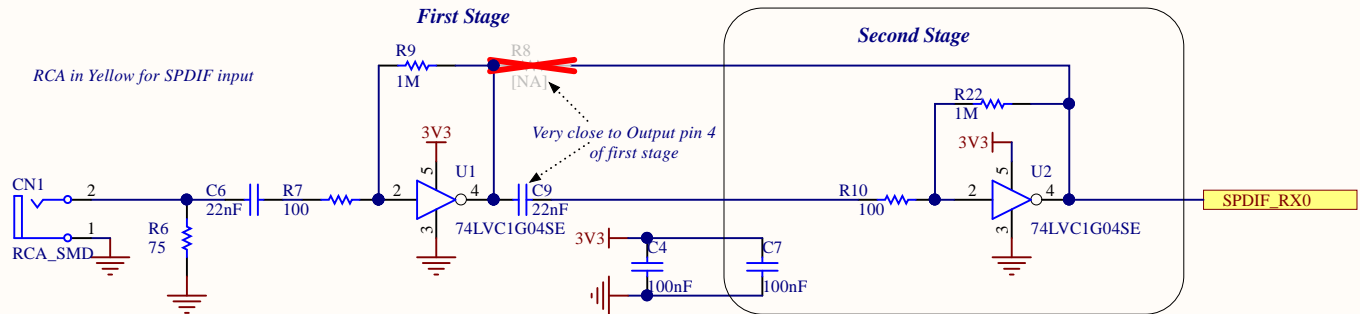
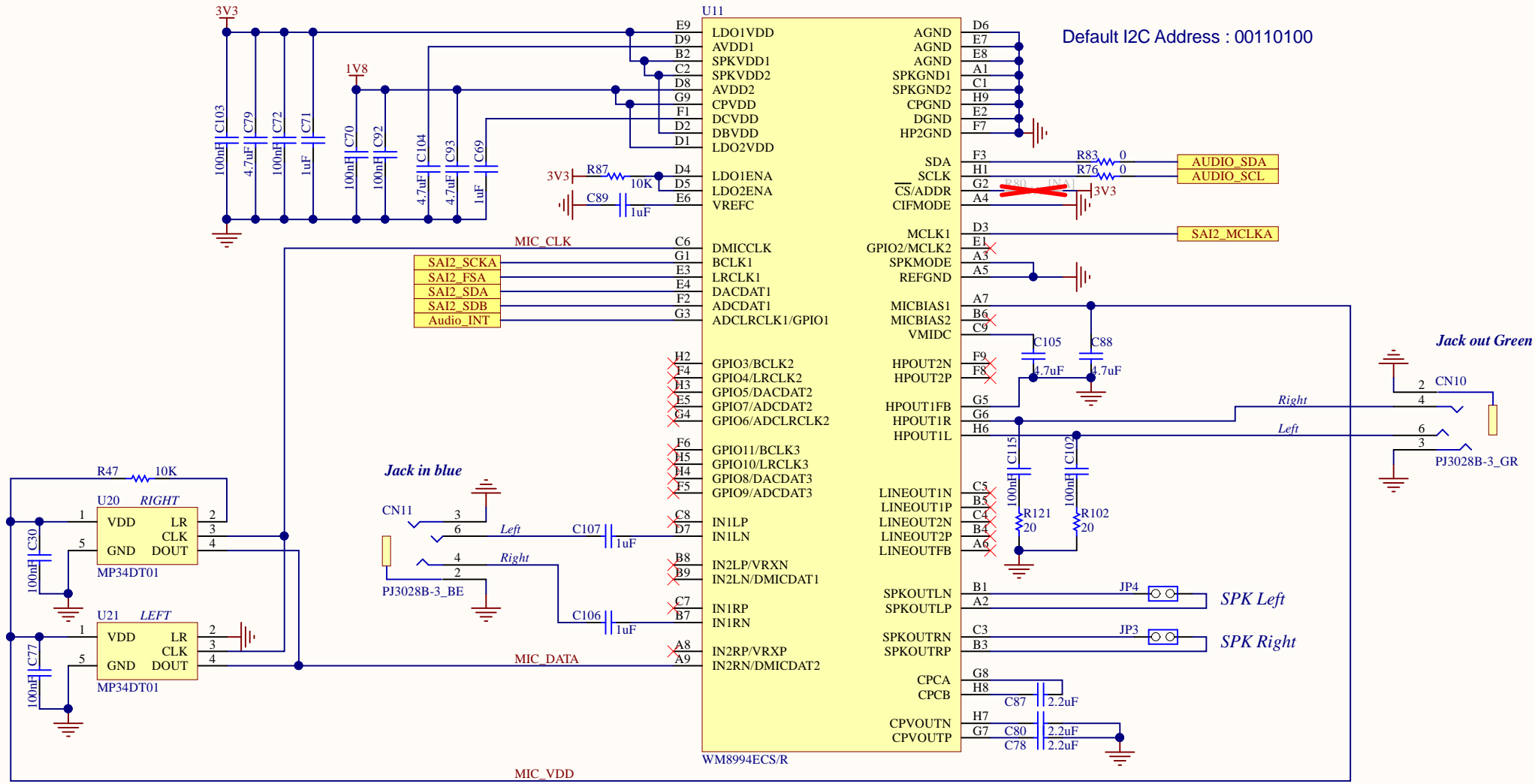


EXT/RF E2P Connector

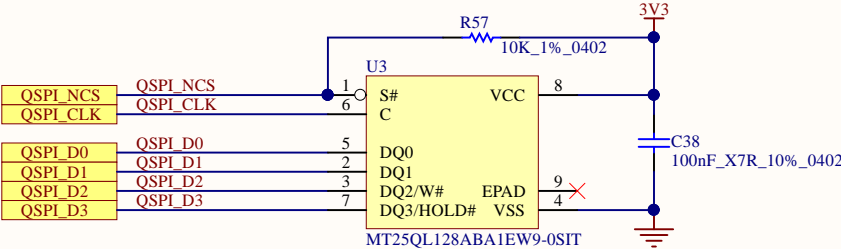


MICRO SD (TF) Card

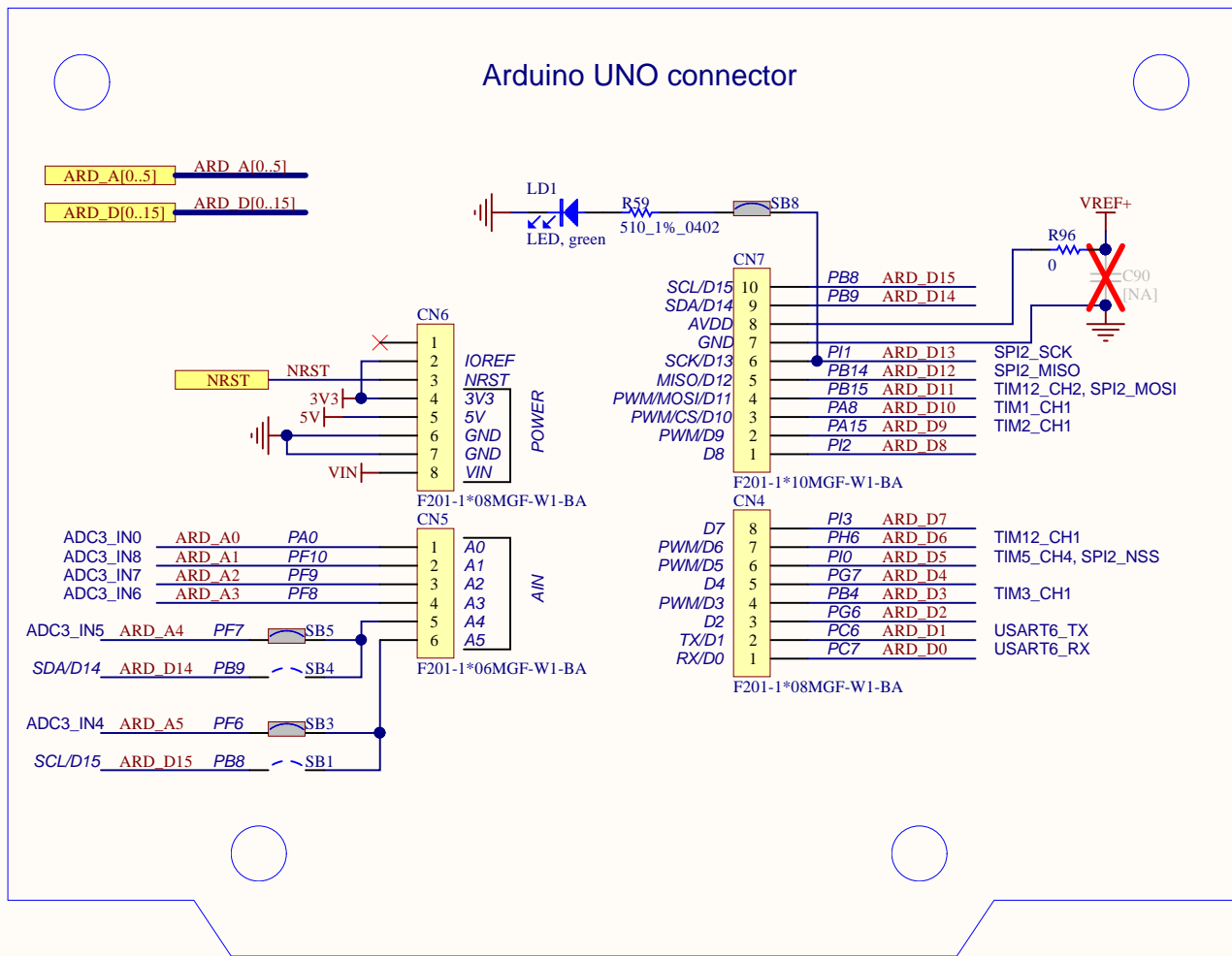


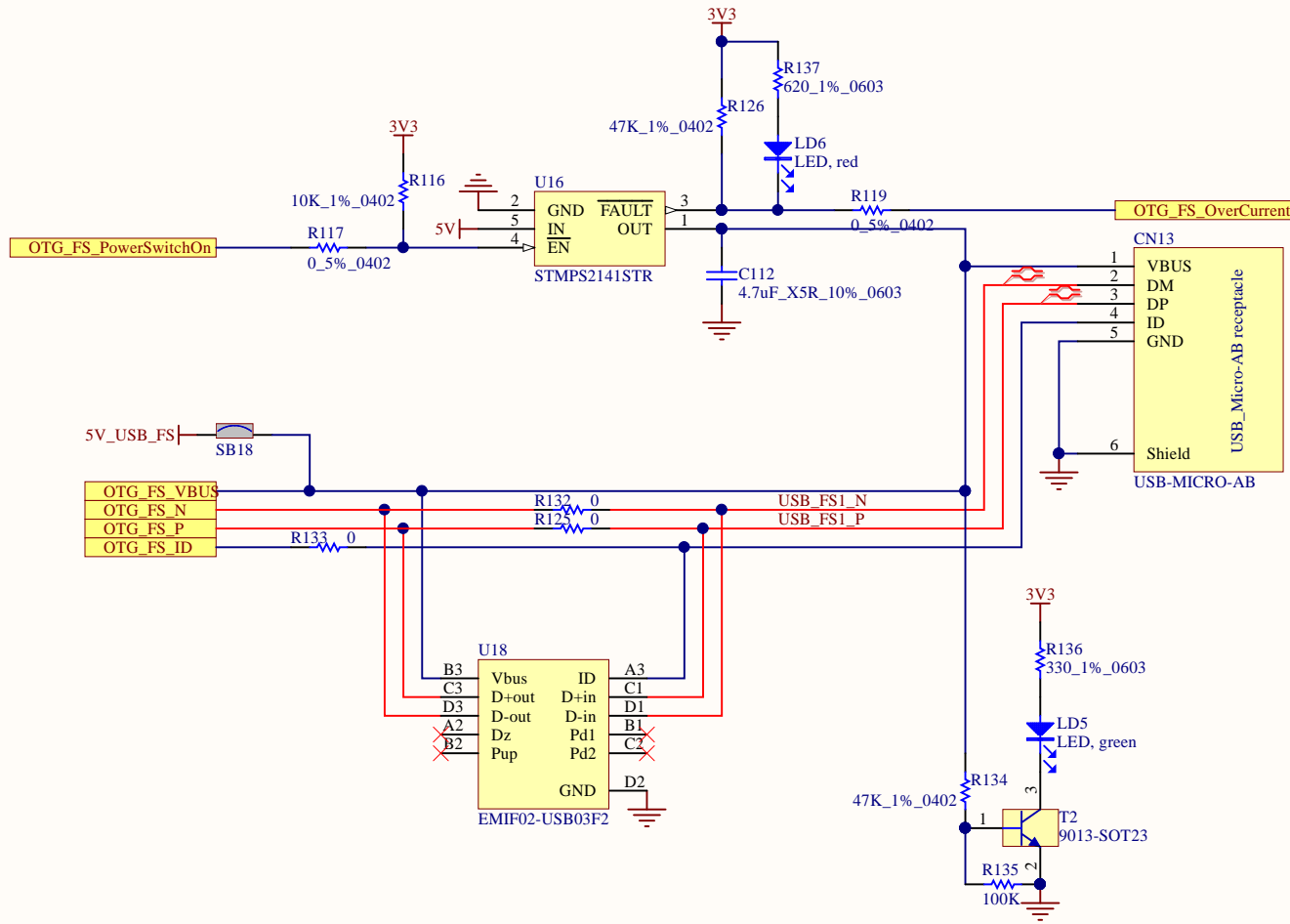


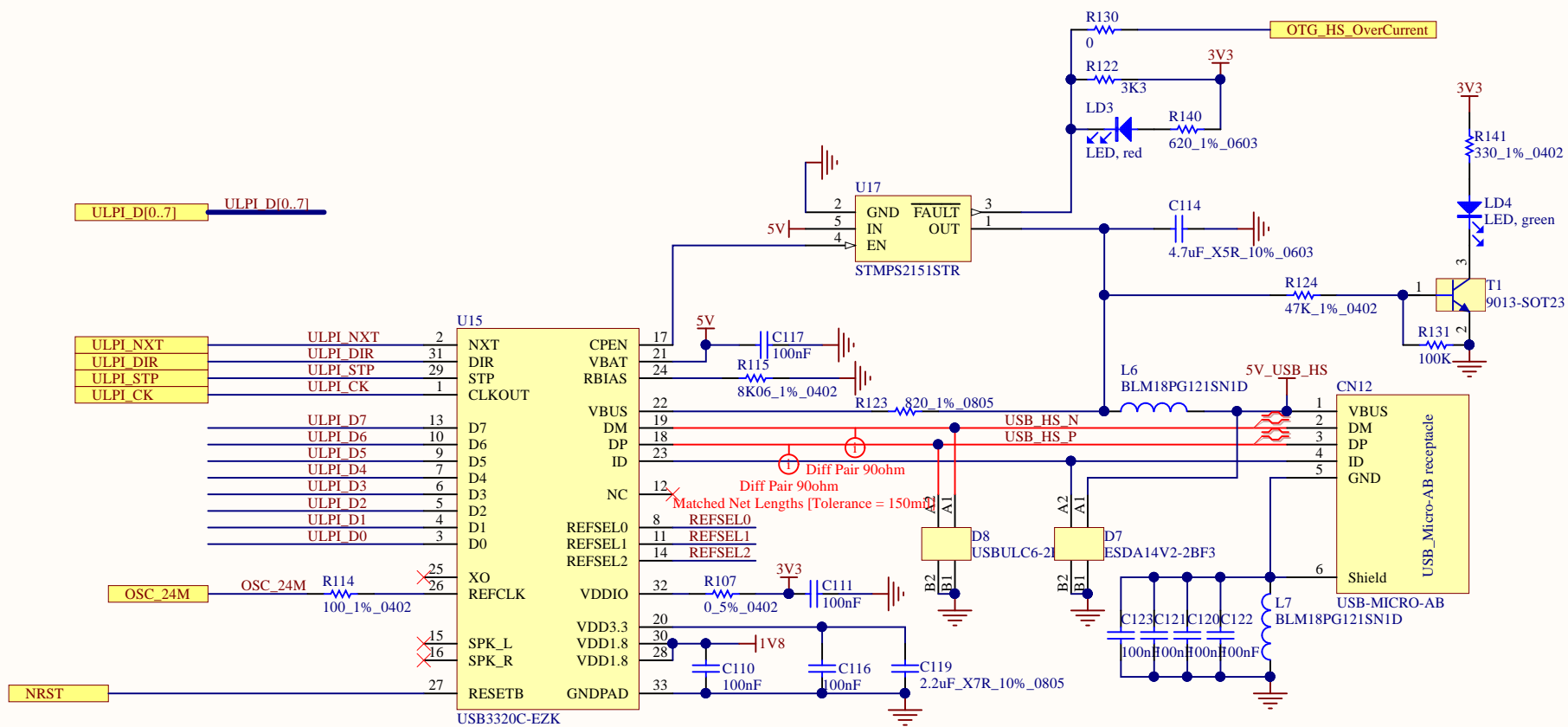
Quad SPI Flash Memory



Arduino UNO connector







ULPI_D[0..7] ULPI D[0..7]

ULPI_NXT ULPI NXT 2
 ULPI_DIR ULPI DIR 31
 ULPI_STP ULPI STP 29
 ULPI_CK ULPI CK 1

ULPI_D7 13
 ULPI_D6 10
 ULPI_D5 9
 ULPI_D4 7
 ULPI_D3 6
 ULPI_D2 5
 ULPI_D1 4
 ULPI_D0 3

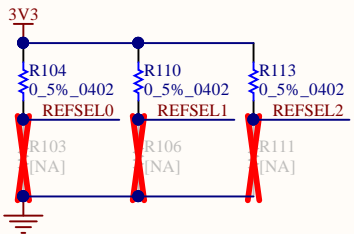
OSC_24M OSC_24M R114 100_1%_0402

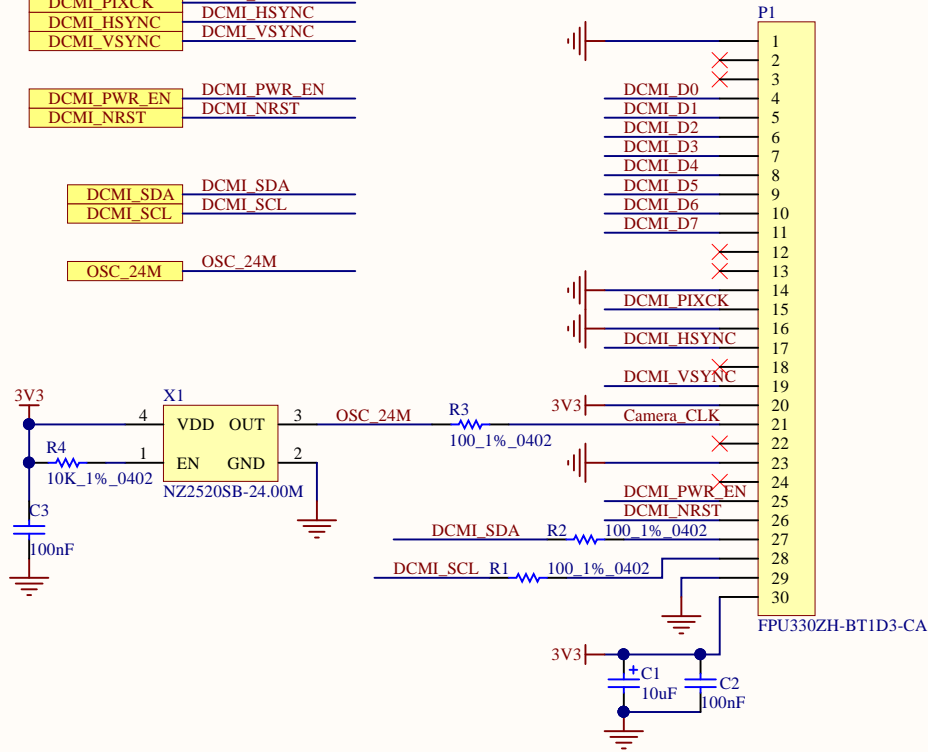
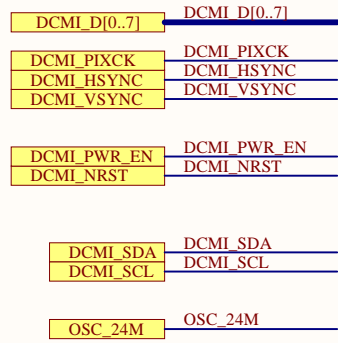
NRST RESETB 27

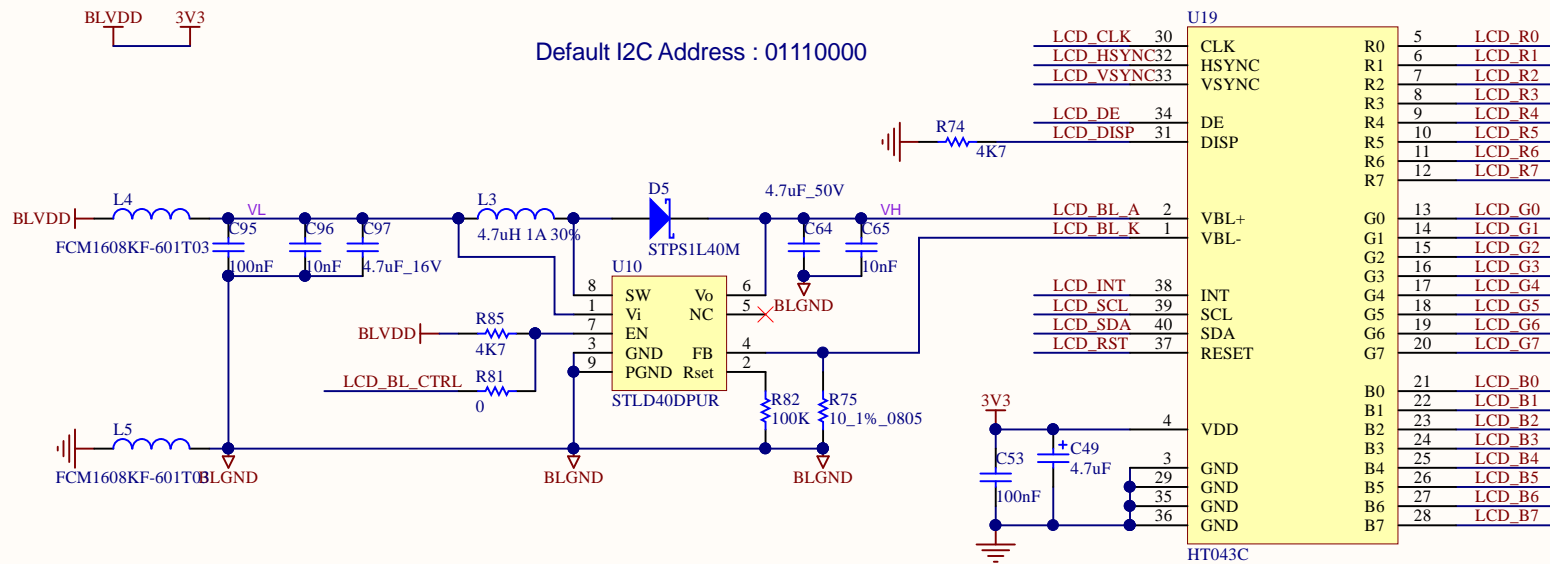
U15
 NXT CPEN 17
 DIR VBAT 21
 STP RBIAS 24
 CLKOUT VBUS 22
 D7 DM 19
 D6 DP 18
 D5 ID 23
 D4 NC 12
 D3 REFSEL0 8
 D2 REFSEL1 11
 D1 REFSEL2 14
 D0 VDDIO 32
 XO VDD3.3 20
 REFCLK VDD1.8 30
 SPK_L VDD1.8 28
 SPK_R VDD1.8 28
 RESETB GNDPAD 33

U17
 GND FAULT 3
 IN OUT 1
 EN 4

Diff Pair 90ohm
 Matched Net Lengths [Tolerance = 150mF]

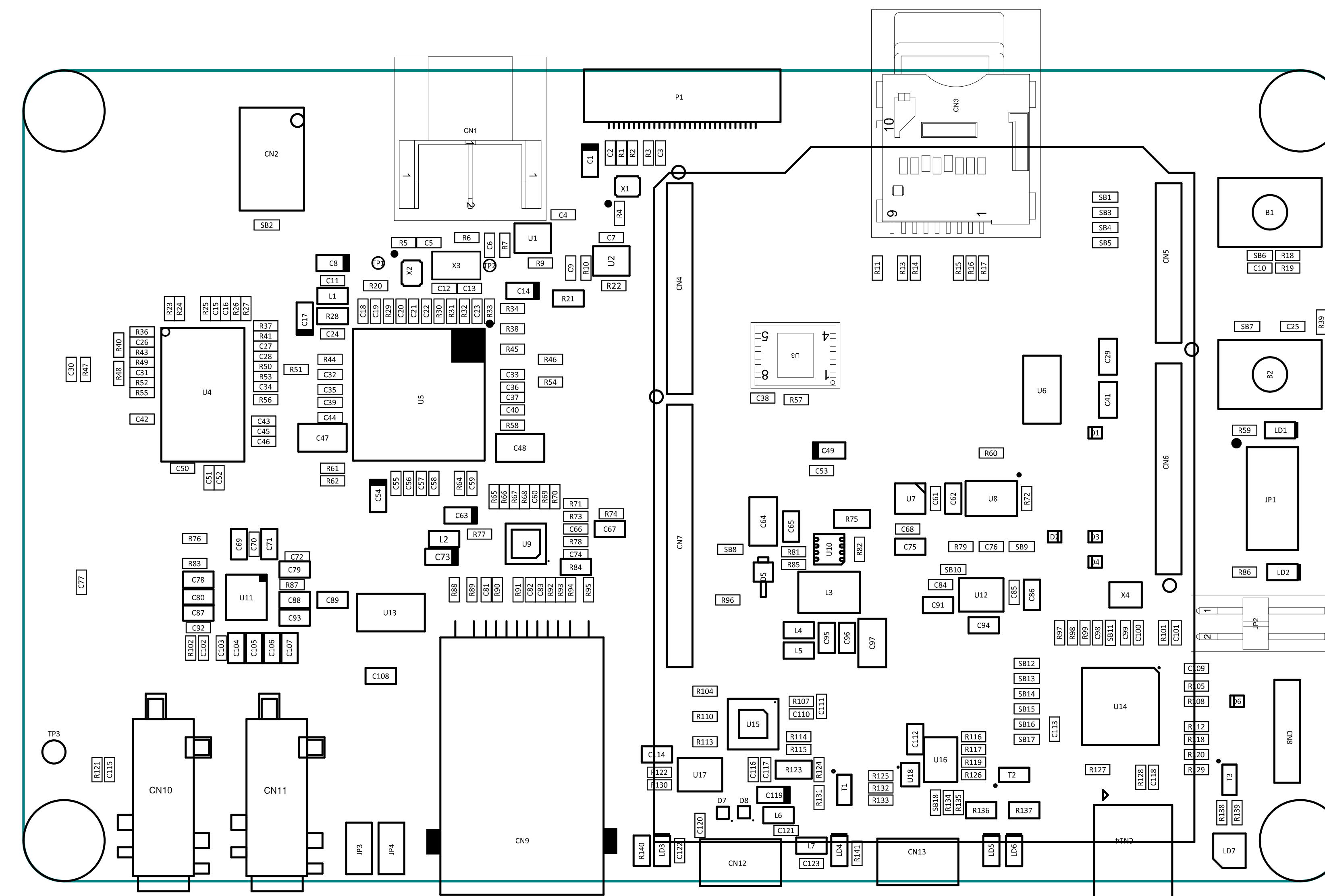






Backlight driver & PFC of LCD panel

LCD_G[0..7]	LCD_G[0..7]
LCD_B[0..7]	LCD_B[0..7]
LCD_R[0..7]	LCD_R[0..7]
LCD_BL_CTRL	LCD_BL_CTRL
LCD_CLK	LCD_CLK
LCD_HSYNC	LCD_HSYNC
LCD_VSYNC	LCD_VSYNC
LCD_DE	LCD_DE
LCD_DISP	LCD_DISP
LCD_INT	LCD_INT
LCD_RST	LCD_RST
LCD_SCL	LCD_SCL
LCD_SDA	LCD_SDA



1 2 3 4 5 6 7 8

A

A

B

B

C

C

D

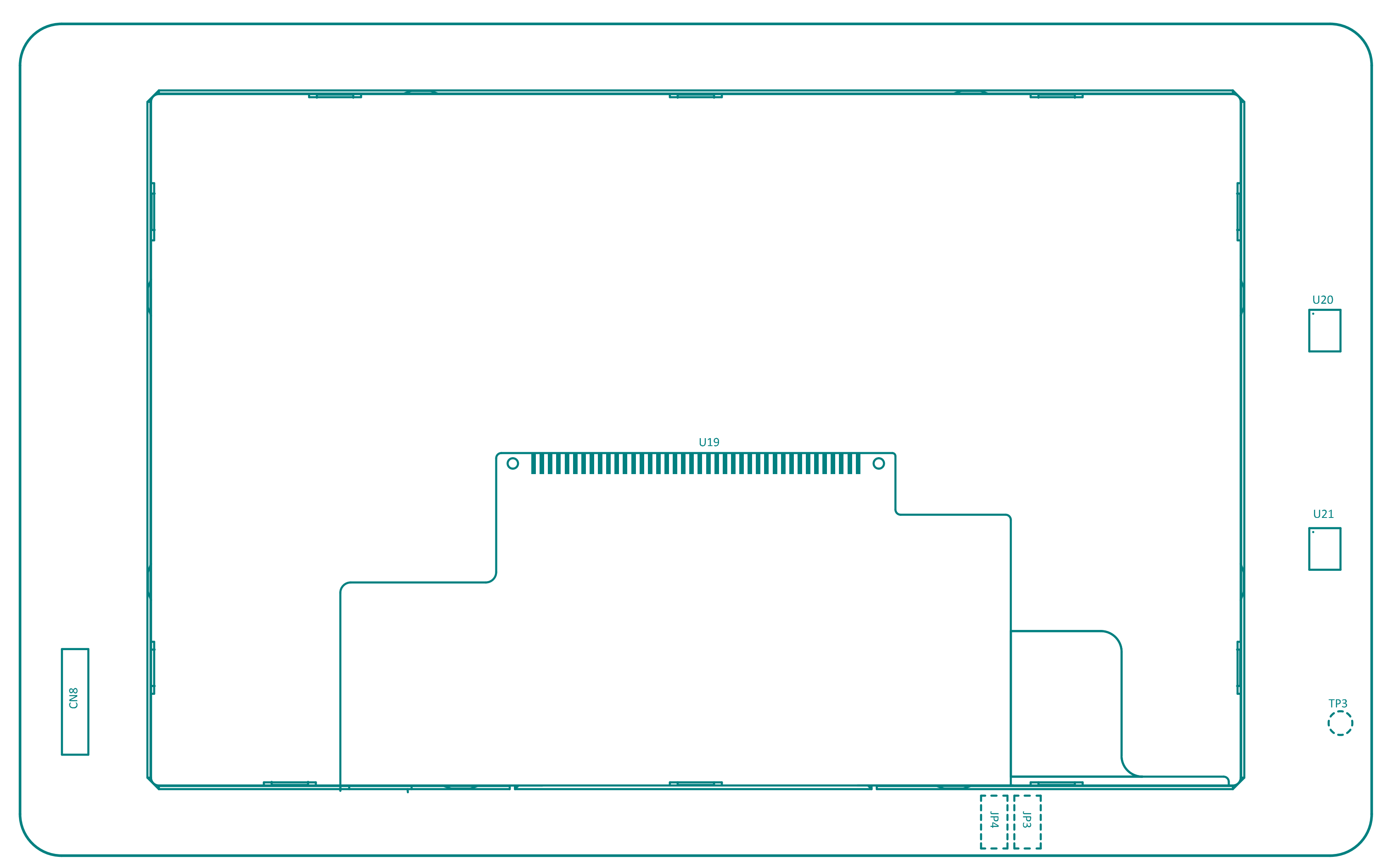
D


E

E

F

F



Revision		DESCRIPTION		COMPAGNY	PCB DESIGNER	16-04-2015	CHECKED BY
		TITLE Carte STM32F746G-DISCOVERY					
		REF. MB1191B	LAYER Assembly Bottom		GERBER		
Ce document est la propriété de STMICROELECTRONICS et ne peut être reproduit ou transmis sans son autorisation écrite. This document is the property of STMICROELECTRONICS and shall not be reproduced nor transmitted without written approval.							A4

1 2 3 4 5 6 7 8