

# STM32F769I-DISCO

---

MB1225

---

## Table of contents

---

|   |
|---|
| Sheet 1: Project overview (this page)                 |
| Sheet 2: Top  |
| Sheet 3: ST-LINK/V2-1 with support of SWD only        |
| Sheet 4: STM32F769NIH6 Connexion                      |
| Sheet 5: Audio Codec WOLFSON and Audio Connectors     |
| Sheet 6: SDRAM (MICRON)                               |
| Sheet 7: Quad SPI Flash Memory (MICRON)               |
| Sheet 8: Arduino UNO connectors                       |
| Sheet 9: USB OTG HS PHY with micro A-B connector      |
| Sheet 10: Ethernet PHY with RJ45 connector            |
| Sheet 11: Power Over Ethernet 3W                      |
| Sheet 12: MIPI connector for DSI LCD and HDMI boards. |
| Sheet 13: uSD, Wifi, LEDs and Push Button             |

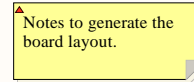
## Legend

---

General comment such as function title, configuration, ...

Text to be added to silkscreen.

Warning text.



## Open Platform License Agreement

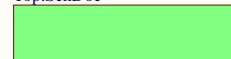
---

The Open Platform License Agreement (“Agreement”) is a binding legal contract between you (“You”) and STMicroelectronics International N.V. (“ST”), a company incorporated under the laws of the Netherlands acting for the purpose of this Agreement through its Swiss branch 39, Chemin du Champ des Filles, 1228 Plan-les-Ouates, Geneva, Switzerland.

By using the enclosed reference designs, schematics, PC board layouts, and documentation, in hardcopy or CAD tool file format (collectively, the “Reference Material”), You are agreeing to be bound by the terms and conditions of this Agreement. Do not use the Reference Material until You have read and agreed to this Agreement terms and conditions. The use of the Reference Material automatically implies the acceptance of the Agreement terms and conditions.

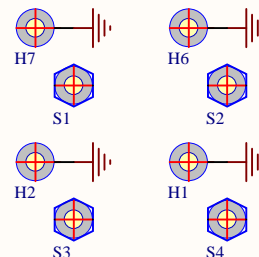
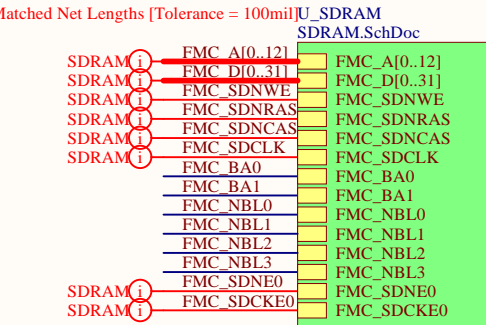
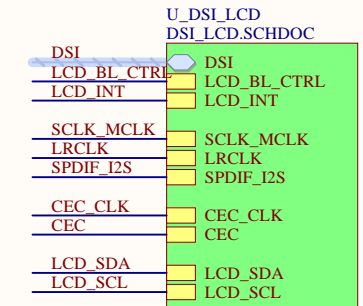
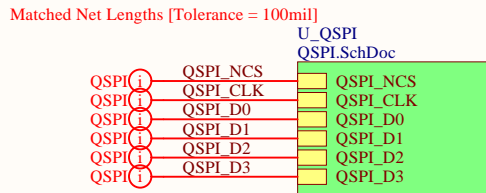
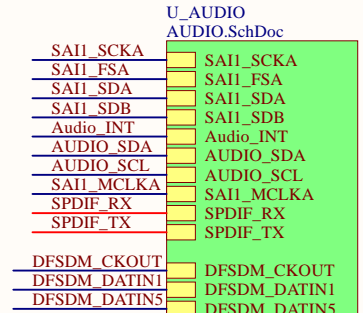
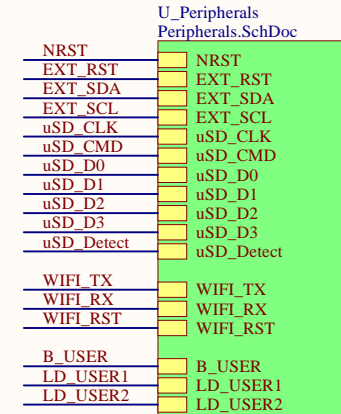
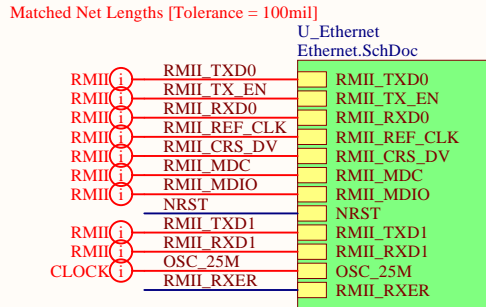
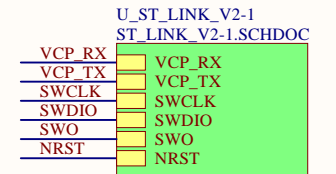
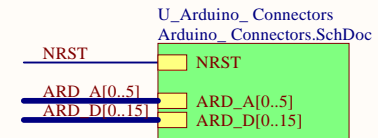
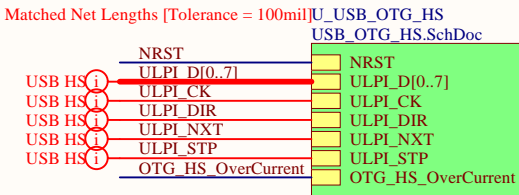
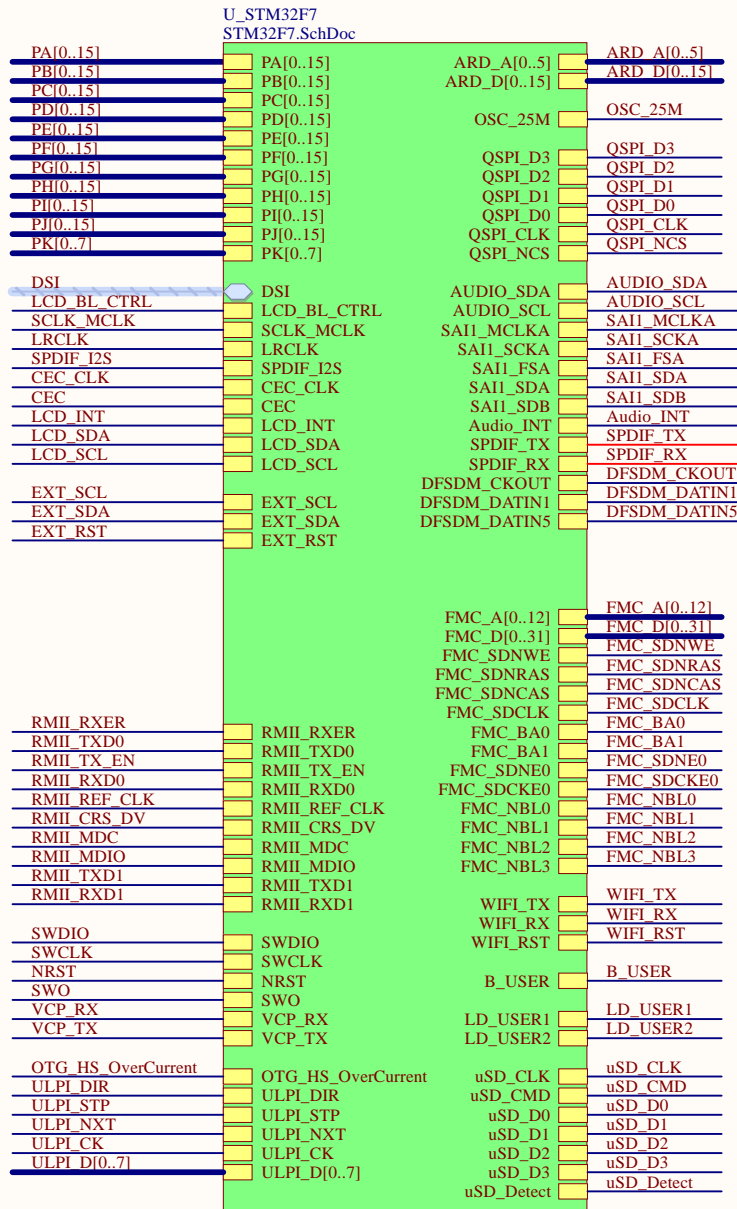
The complete Open Platform License Agreement can be found on [www.st.com/opla](http://www.st.com/opla).

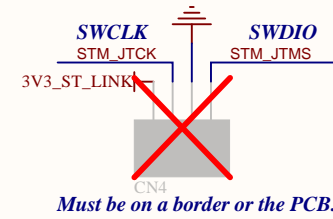
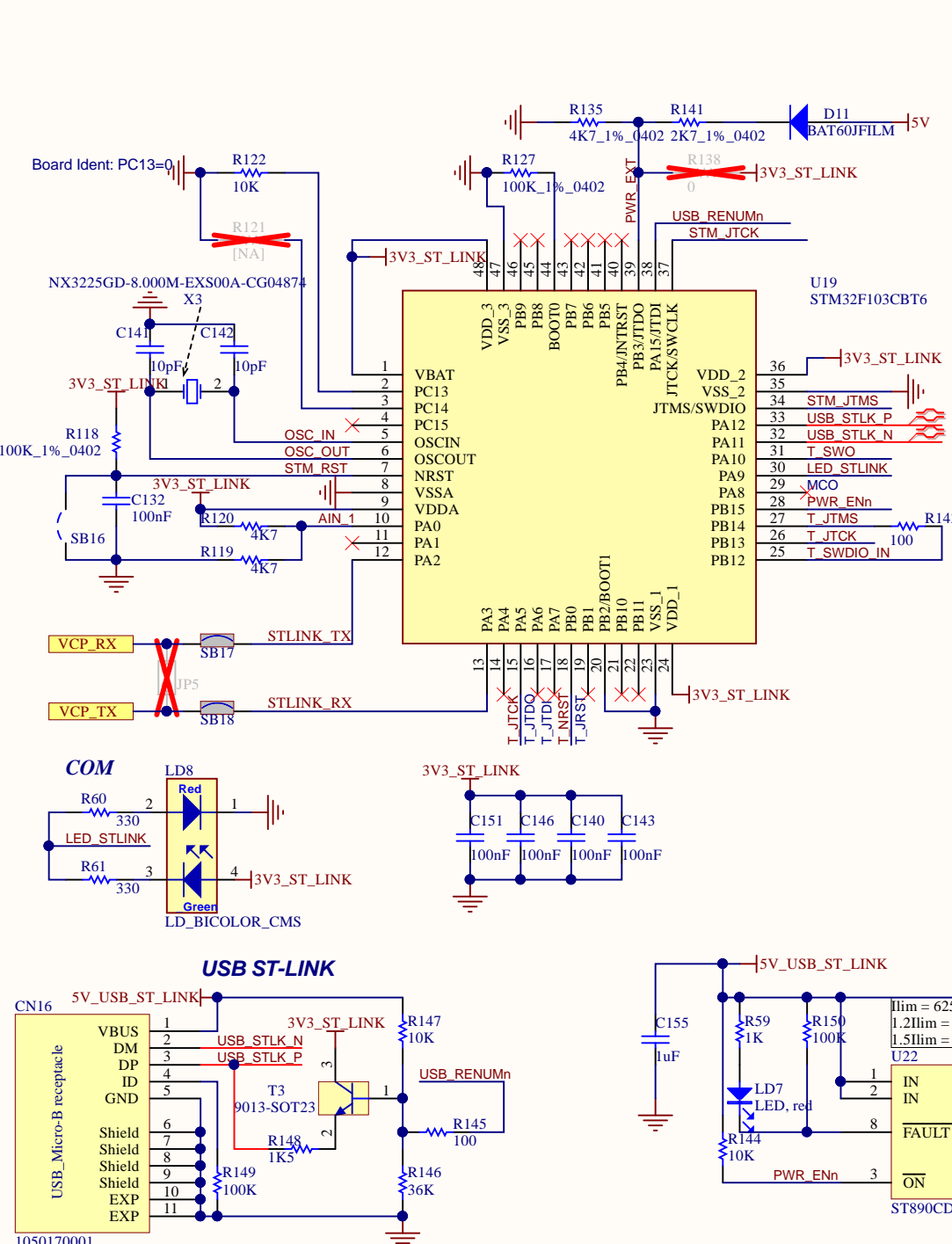
U\_Top  
Top.SchDoc



|                                  |                   |                |
|----------------------------------|-------------------|----------------|
| Title: <b>Project overview</b>   |                   |                |
| Project: <b>STM32F769I-DISCO</b> |                   |                |
| Variant: F769I                   |                   |                |
| Revision: C-01                   | Reference: MB1225 |                |
| Size: A4                         | Date: 01/06/2020  | Sheet: 1 of 13 |

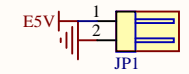




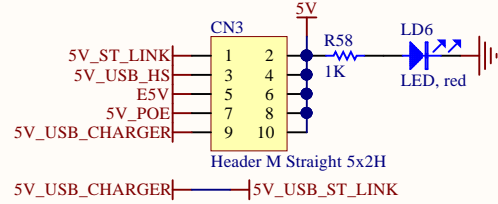


|        | SB19 | PA13 | SB20 | PB3 |
|--------|------|------|------|-----|
| T_JTCK | SB22 | PA14 | SB21 | PB3 |
| T_JTMS | SB22 | PA13 | SB20 | PB3 |
| T_NRST | SB21 | PA13 | SB20 | PB3 |
| T_SWO  | SB21 | PA13 | SB20 | PB3 |

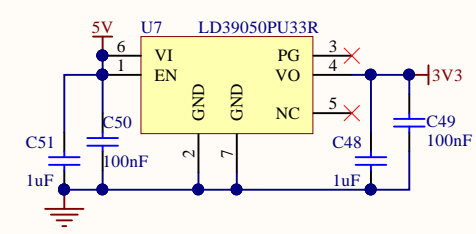
**SWD**



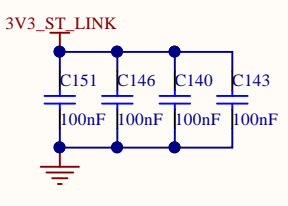
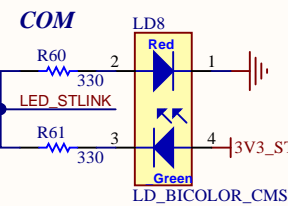
### 5 Volts Power Supply



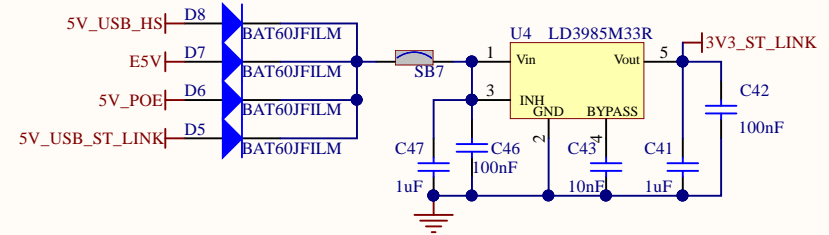
### 5 Volts Output



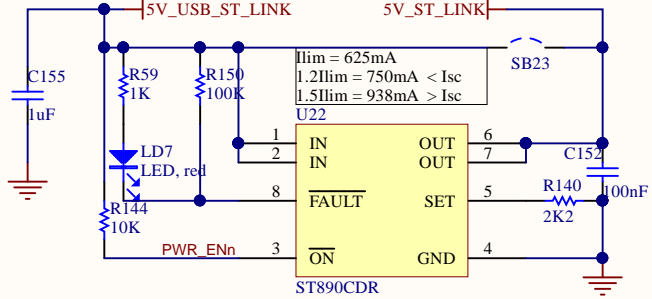
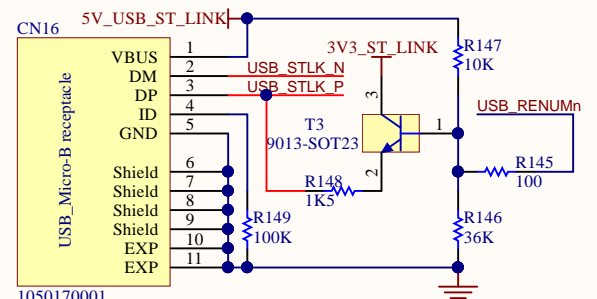
### 3.3 Volts Output



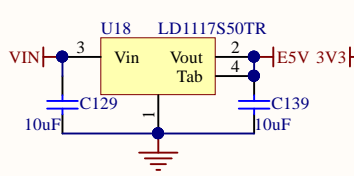
### ST-LINK Power



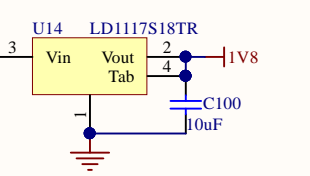
### USB ST-LINK



### Arduino UNO power pin

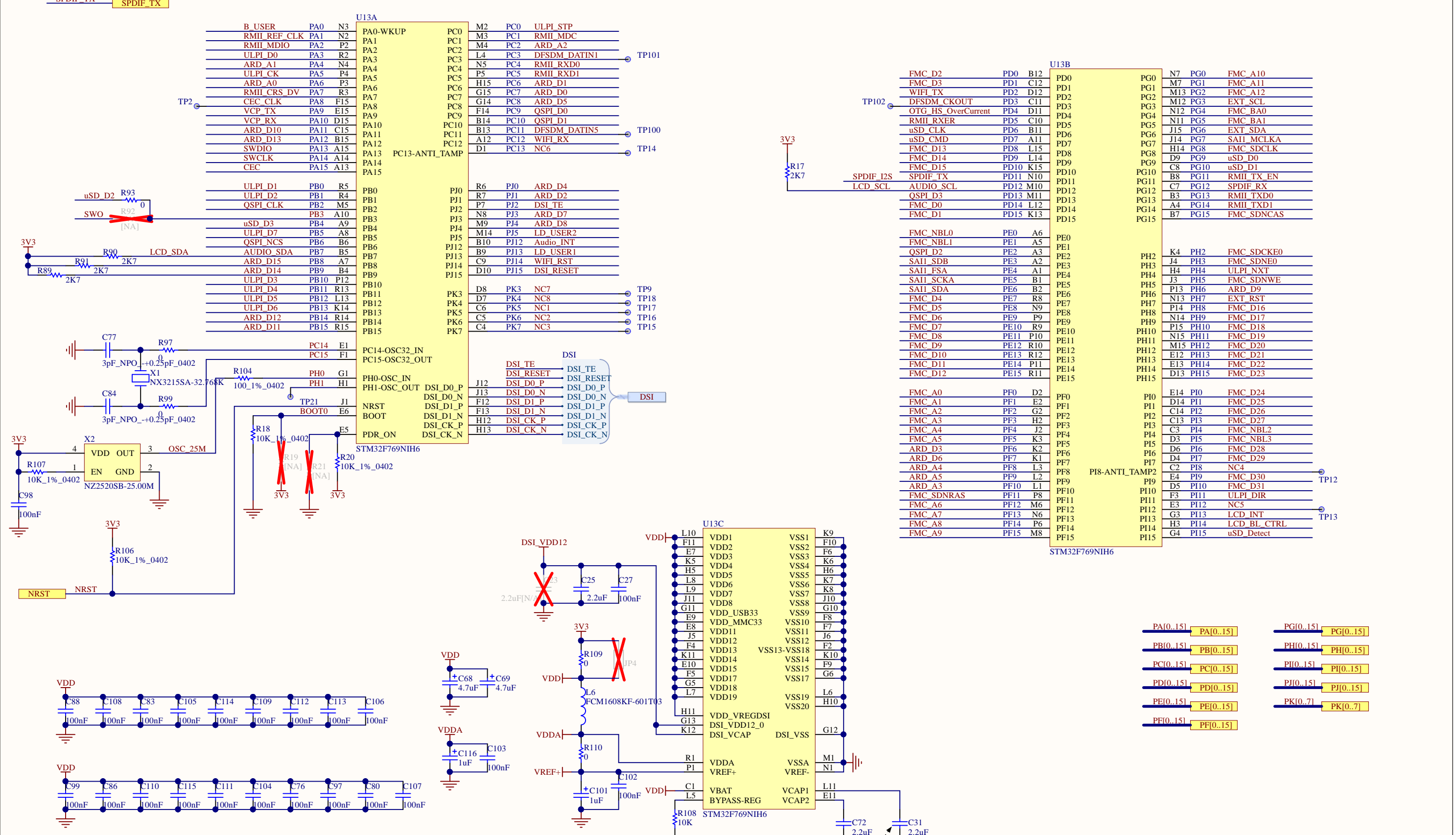
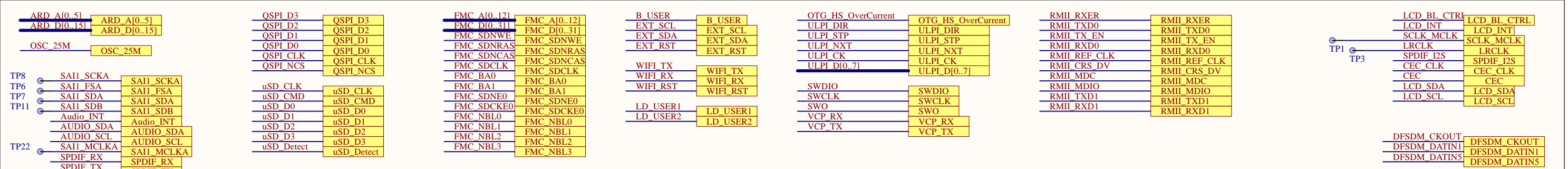


### 1.8 Volts Output



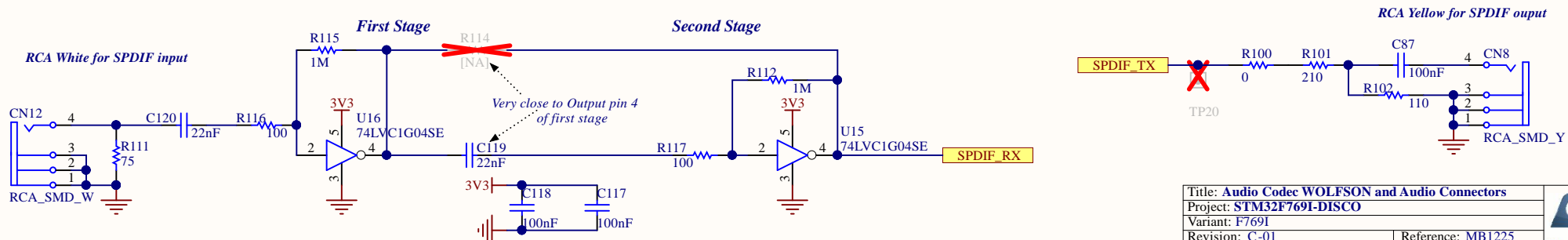
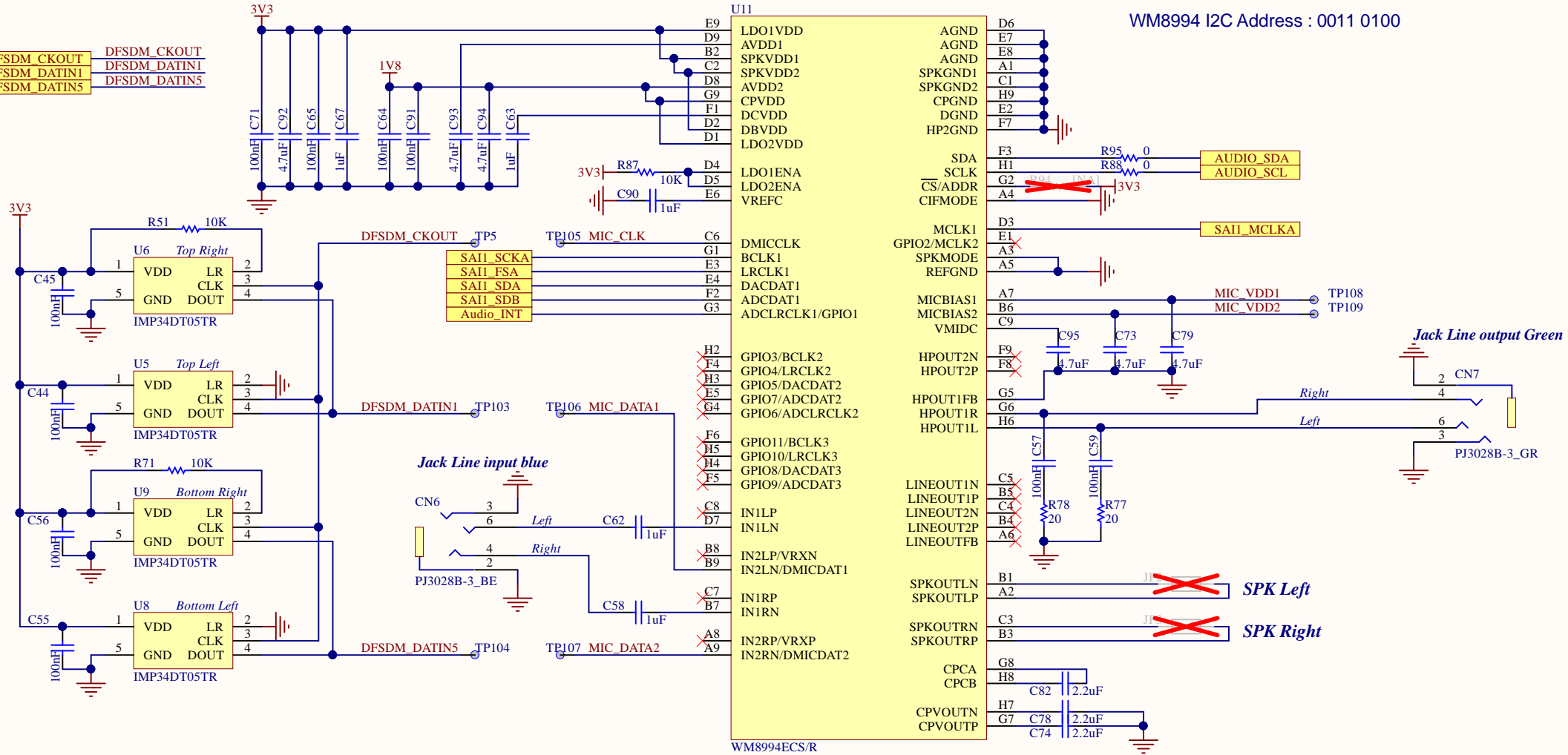
|   |                  |                   |  |
|---|------------------|-------------------|--|
| Title: <b>ST-LINK/V2-1 with support of SWD only</b> |                  |                   |  |
| Project: STM32F7691-DISCO                           |                  |                   |  |
| Variant: F7691                                      |                  |                   |  |
| Revision: C-01                                      |                  | Reference: MB1225 |  |
| Size: A4  | Date: 01/06/2020 | Sheet: 3 of 13    |  |



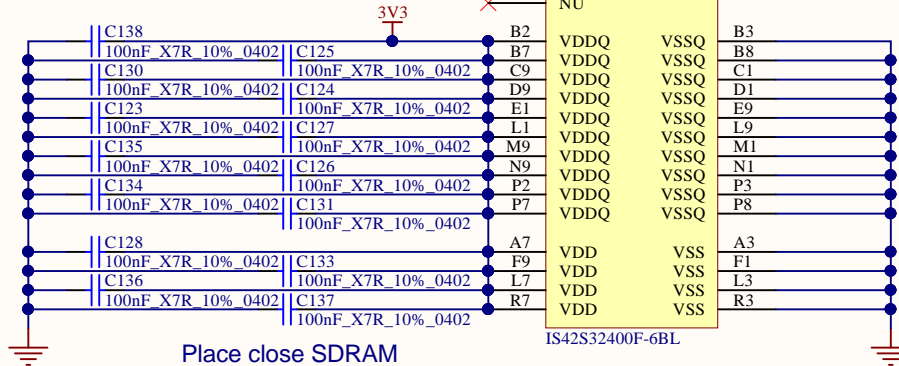
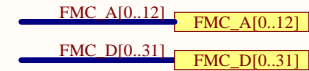
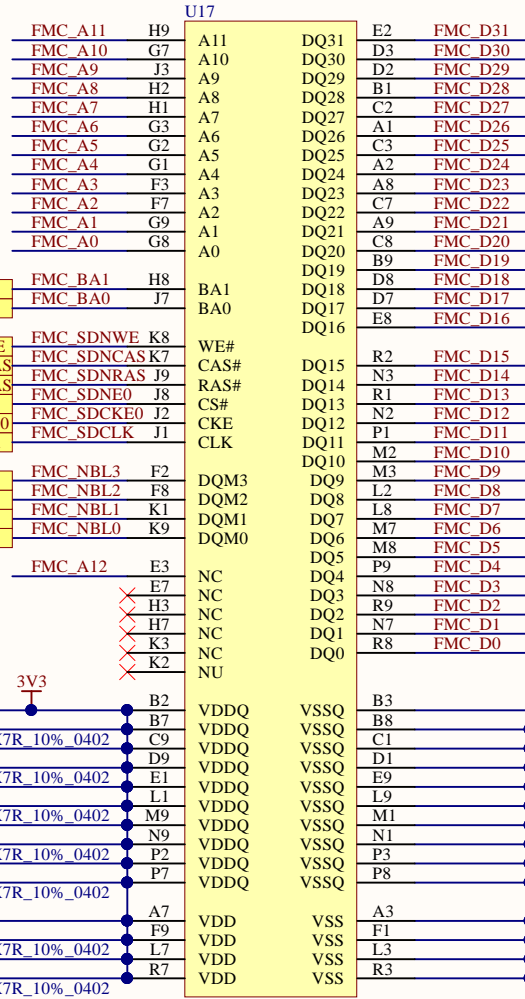
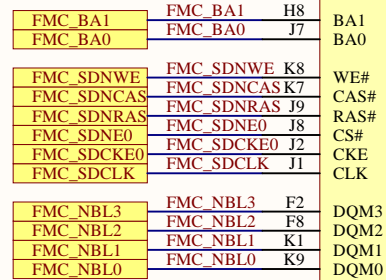


|              |              |
|--------------|--------------|
| DFSDM_CKOUT  | DFSDM_CKOUT  |
| DFSDM_DATIN1 | DFSDM_DATIN1 |
| DFSDM_DATIN5 | DFSDM_DATIN5 |

WM8994 I2C Address : 0011 0100



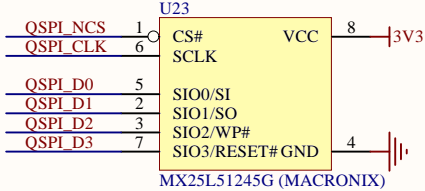
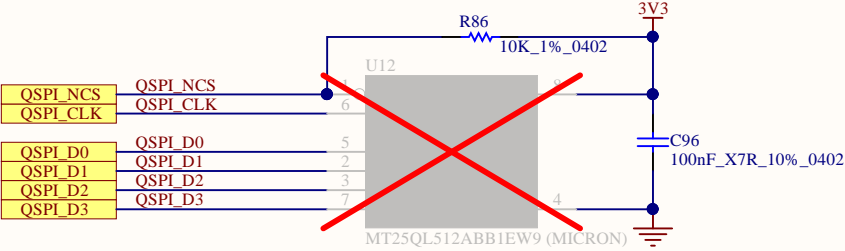
do not modify the way of the wire



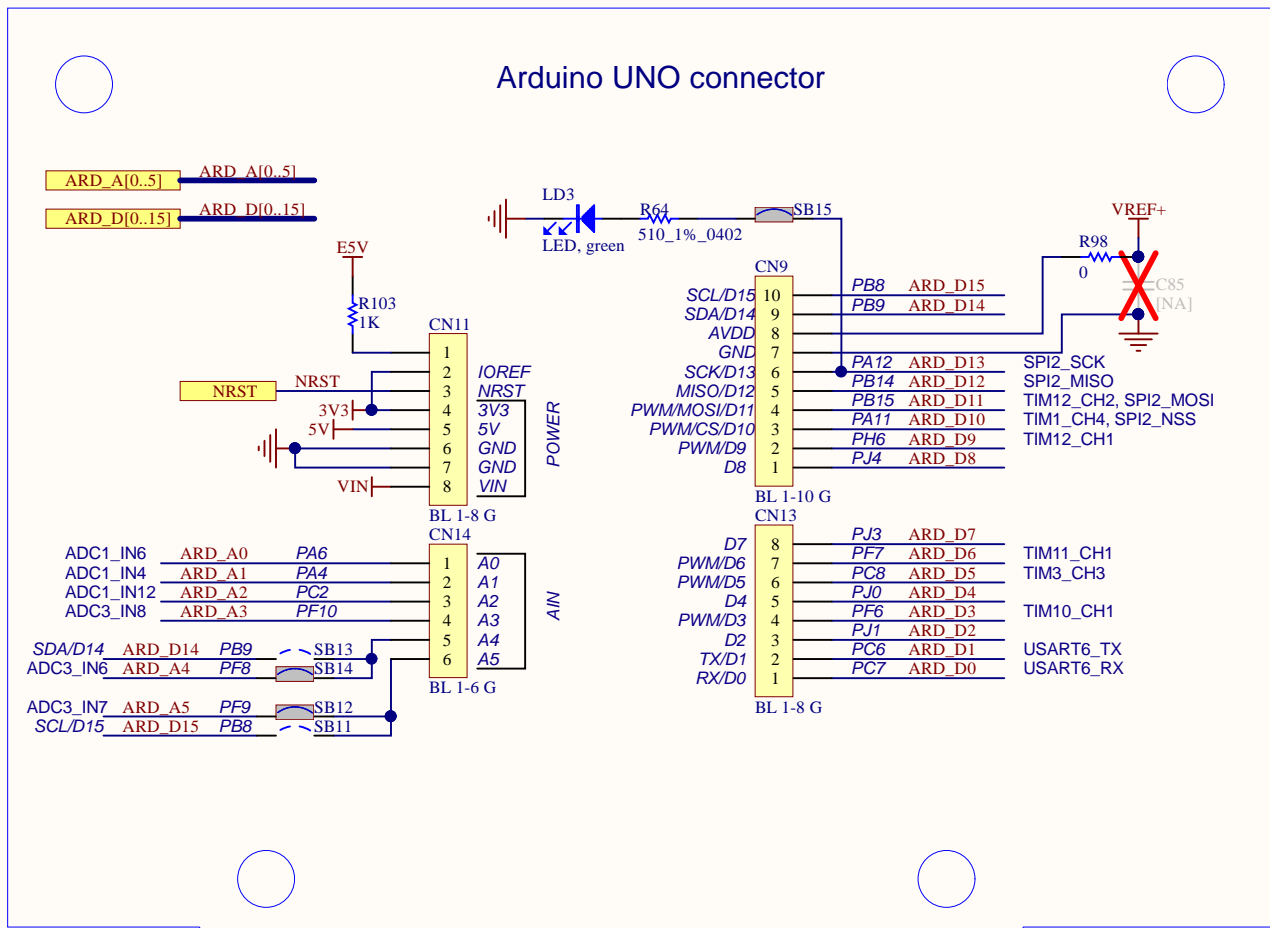
Place close SDRAM

IS42S32400F-6BL

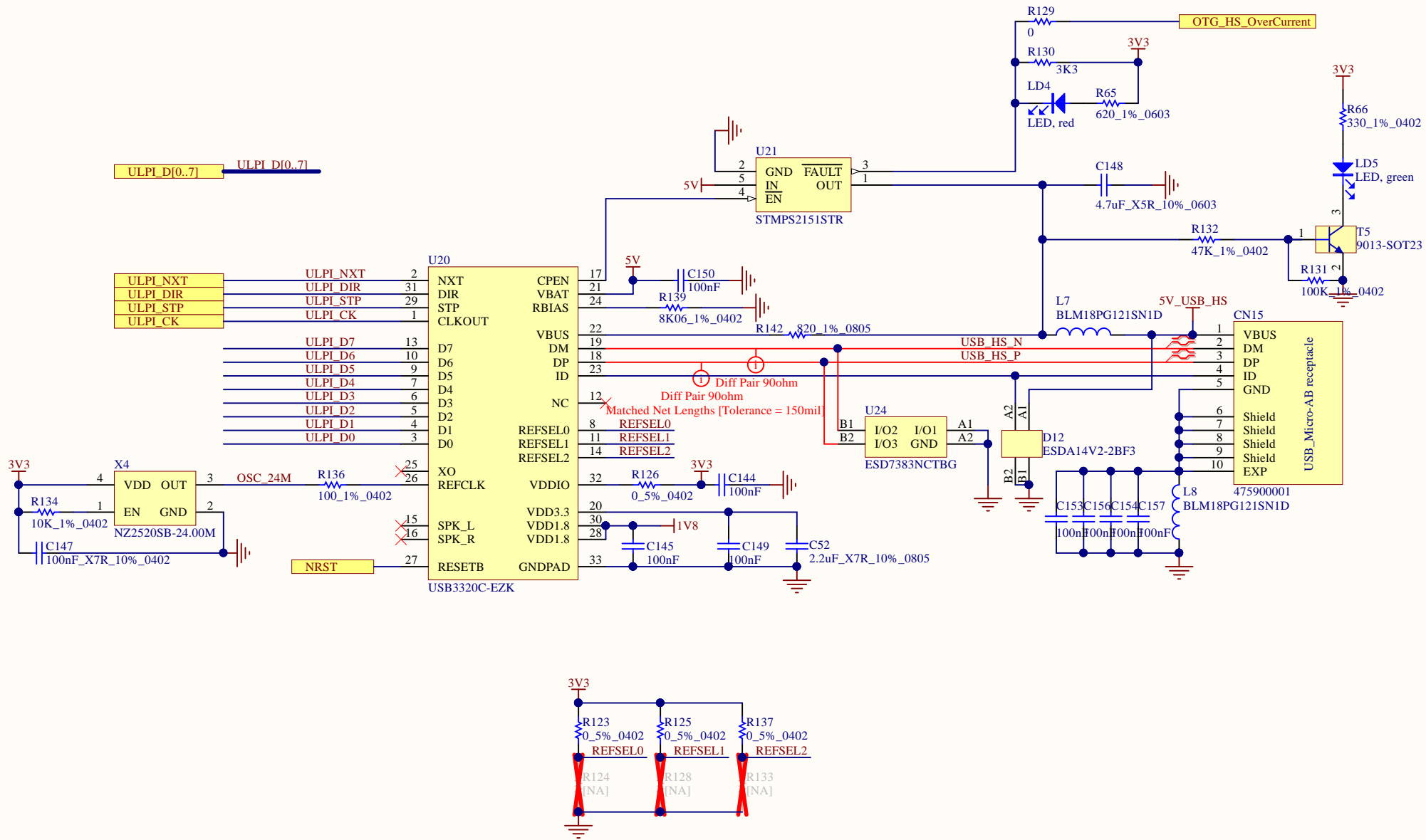
### Quad SPI Flash Memory

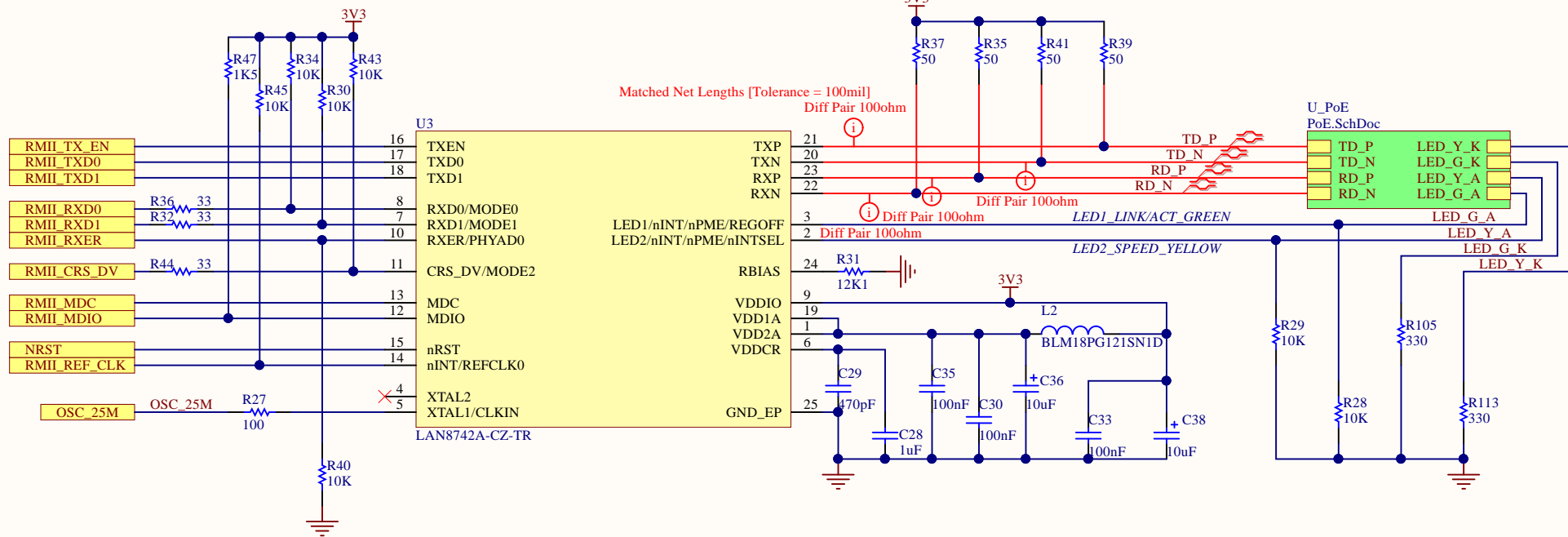


# Arduino UNO connector









# Power Over Ethernet

Matched Net Lengths [Tolerance = 100mil]  
Diff Pair 100ohm

INPUT

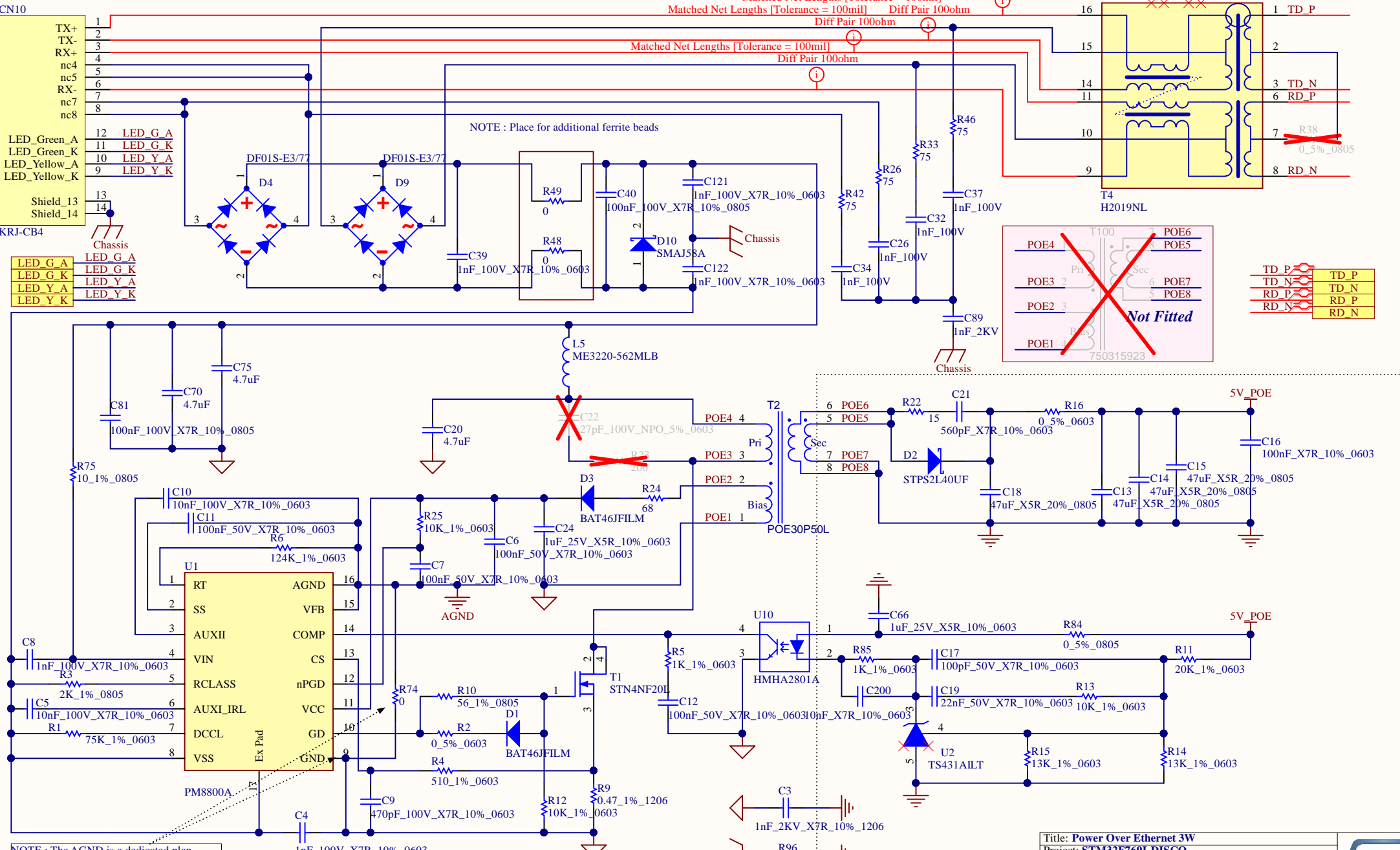
Matched Net Lengths [Tolerance = 100mil]  
Diff Pair 100ohm

Matched Net Lengths [Tolerance = 100mil]  
Diff Pair 100ohm

Matched Net Lengths [Tolerance = 100mil]  
Diff Pair 100ohm

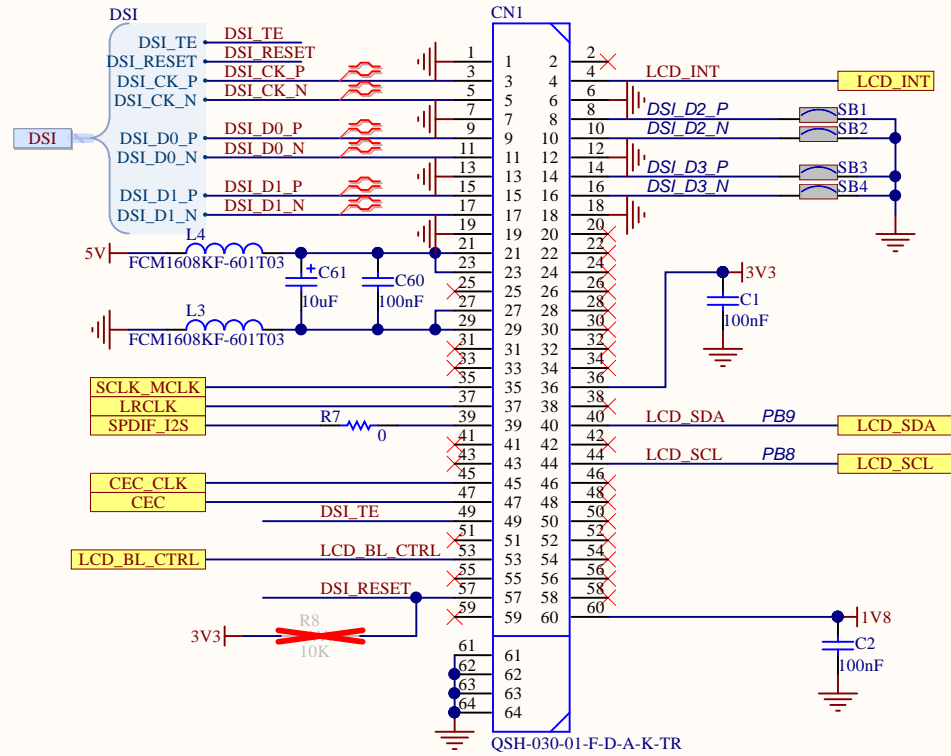
NOTE : Place for additional ferrite beads

**Not Fitted**

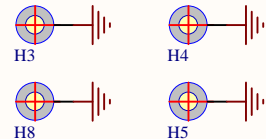


NOTE : The AGND is a dedicated plan.  
The resistor 0 ohm must be very close to pin 9

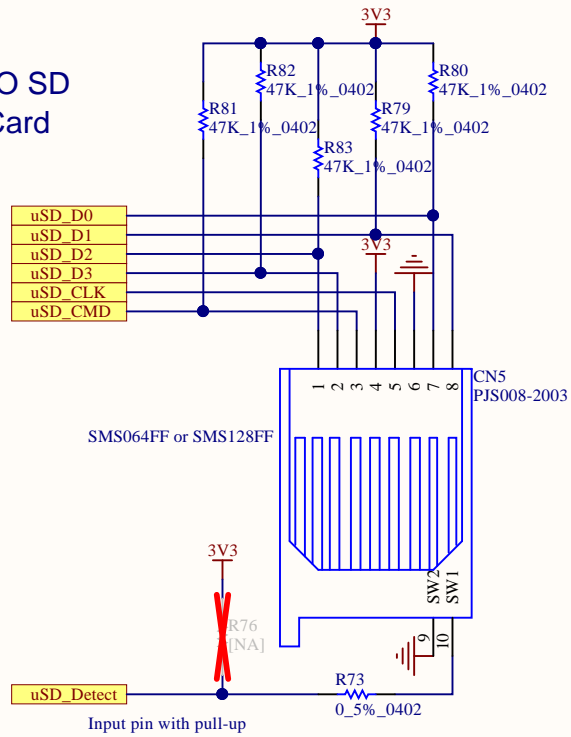
## DSI LCD



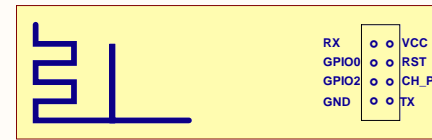
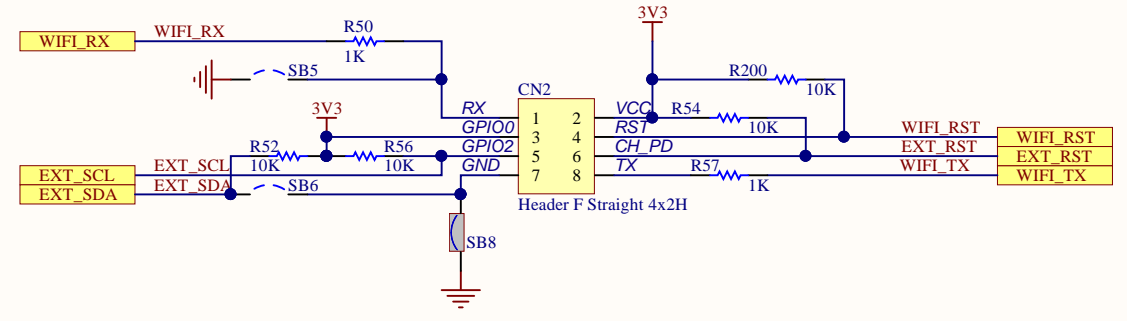
MB1166 I2C Address : 0101 0100



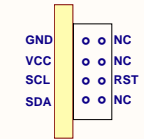
# MICRO SD (TF) Card



# WIFI with ESP8266 or I2C EXT Connector

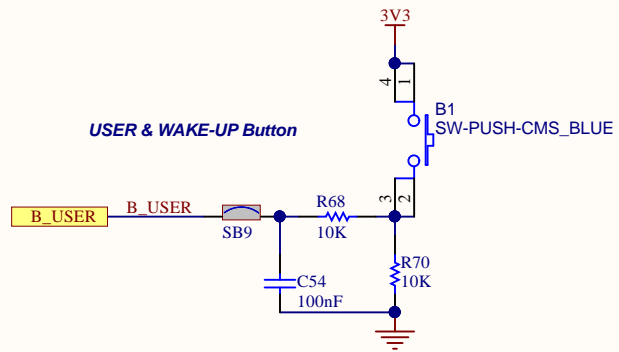


**ESP8266-01 WIFI board**  
 SB5, SB6, OFF  
 SB8, ON  
 EXT\_RST, EXT\_SCL, EXT\_SDA = HIZ

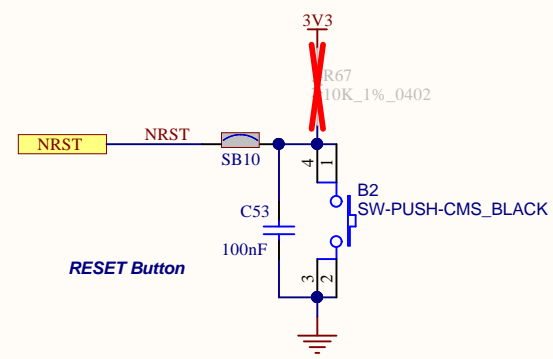


**MB1064 MB1020 I2C board**  
 SB8, OFF  
 SB5, SB6, ON  
 WIFI\_RST, WIFI\_RX, WIFI\_TX = HIZ

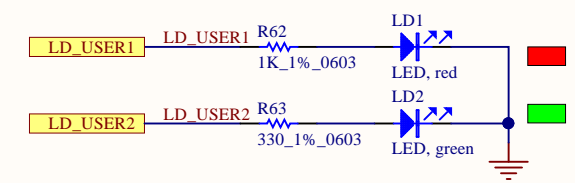
# USER & WAKE-UP Button



# RESET Button



# LEDs



C70 C75

C30



052

Project: STM32F769I-DISCO

Layer: LAY3

Gerber: .GM14

Variant: F769I

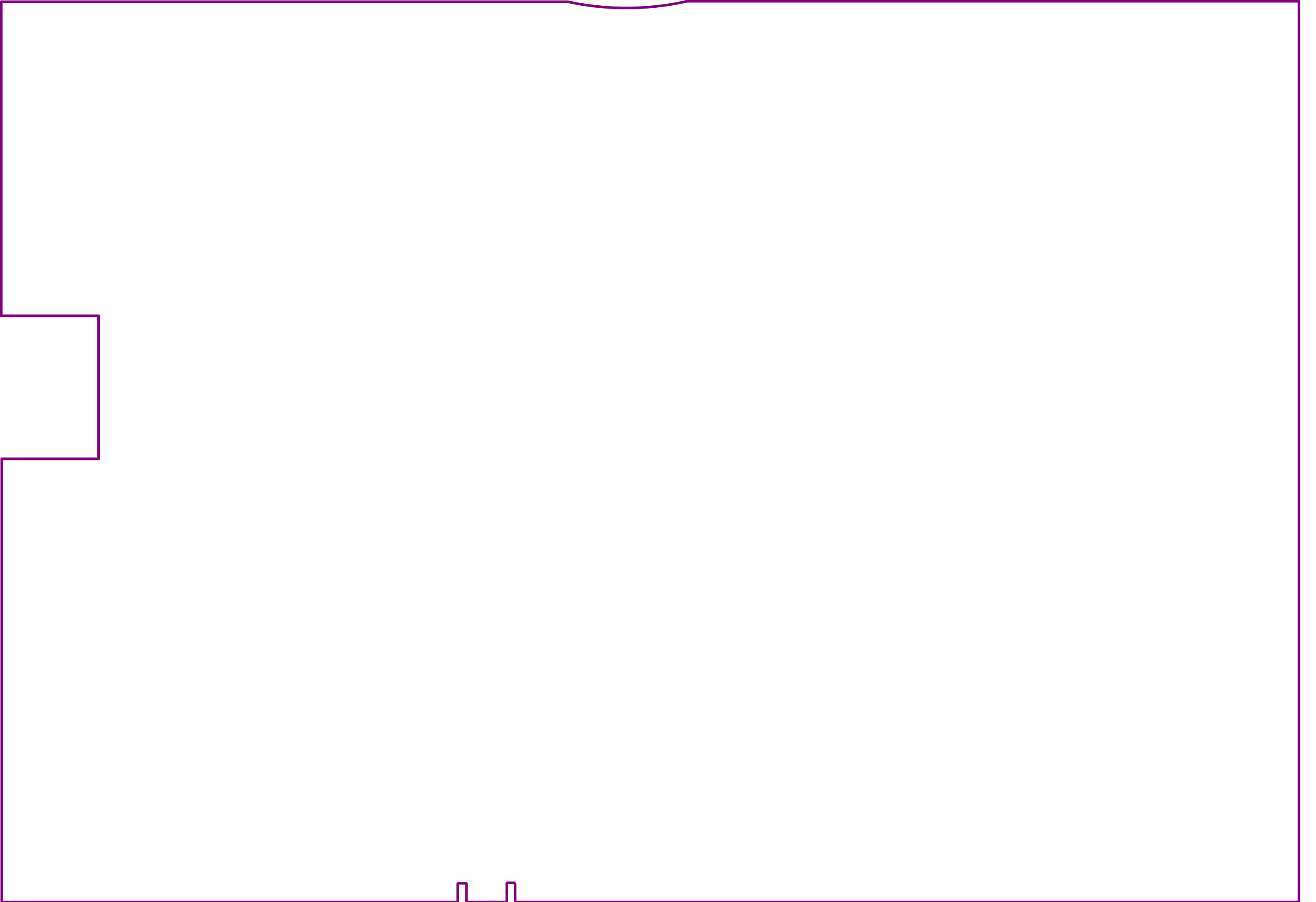
Ref: MB1225


Date: 01/06/2020

Rev: C



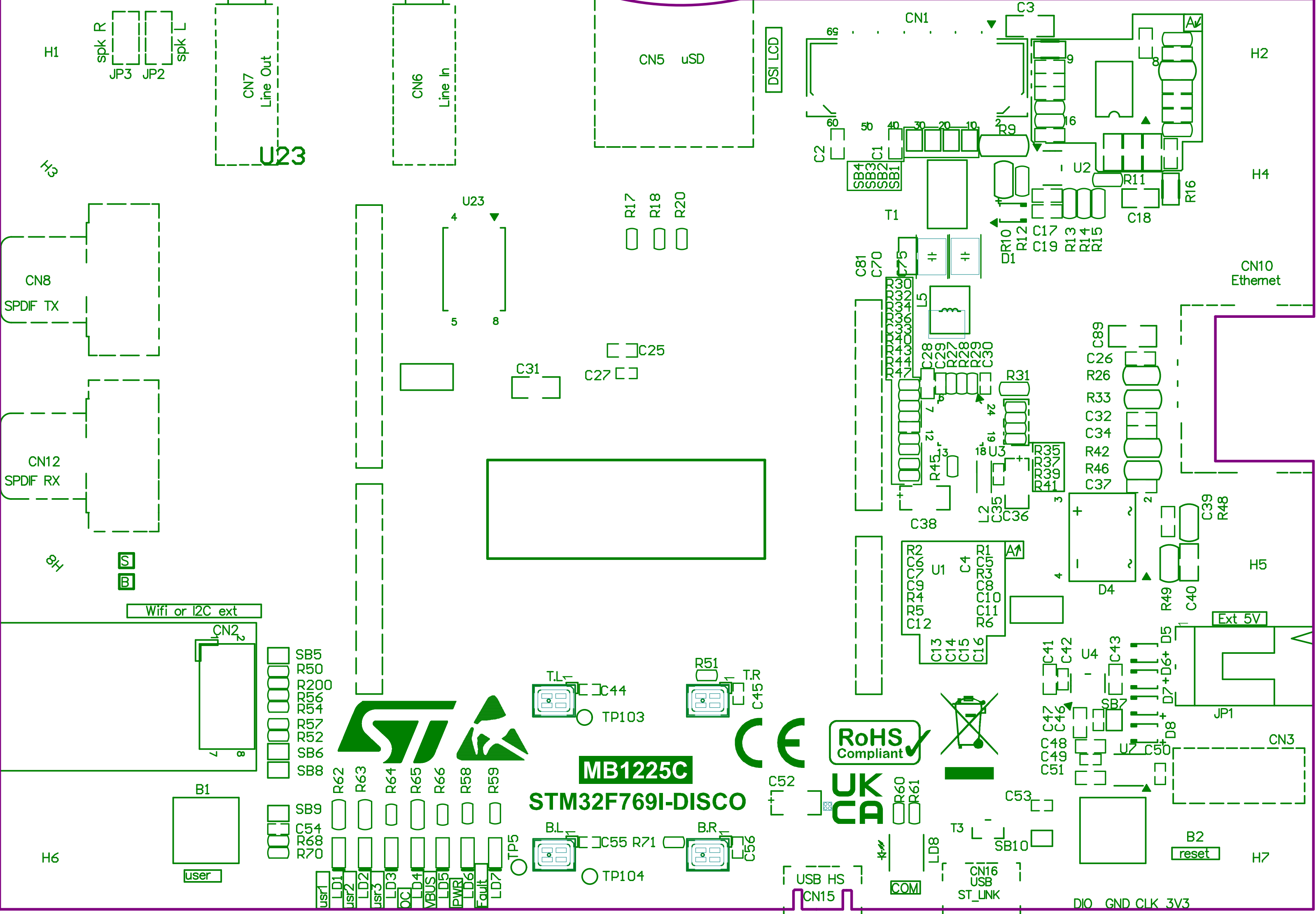
®



|                           |               |   |
|---------------------------|---------------|---|
| Project: STM32F769I-DISCO |               |  |
| Layer: LAY5               | Gerber: .GM15 |   |
| Variant: F769I            | Ref: MB1225   |   |
| Date: 01/06/2020          | Rev: C        |   |







Designator 1

Top Overlay

.GTO

