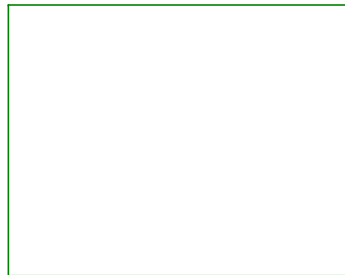


MB1230: 1280 x 720p DSI Rocktech LCD

| Schematic | Page |
|-----------------------|------|
| 0 - mb1230 | 1 |
| 1 - MB1230 connectors | 2 |
| A - comment | 3 |

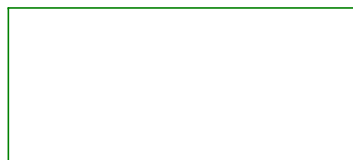


1 - connectors




1 - connectors

A - Comments

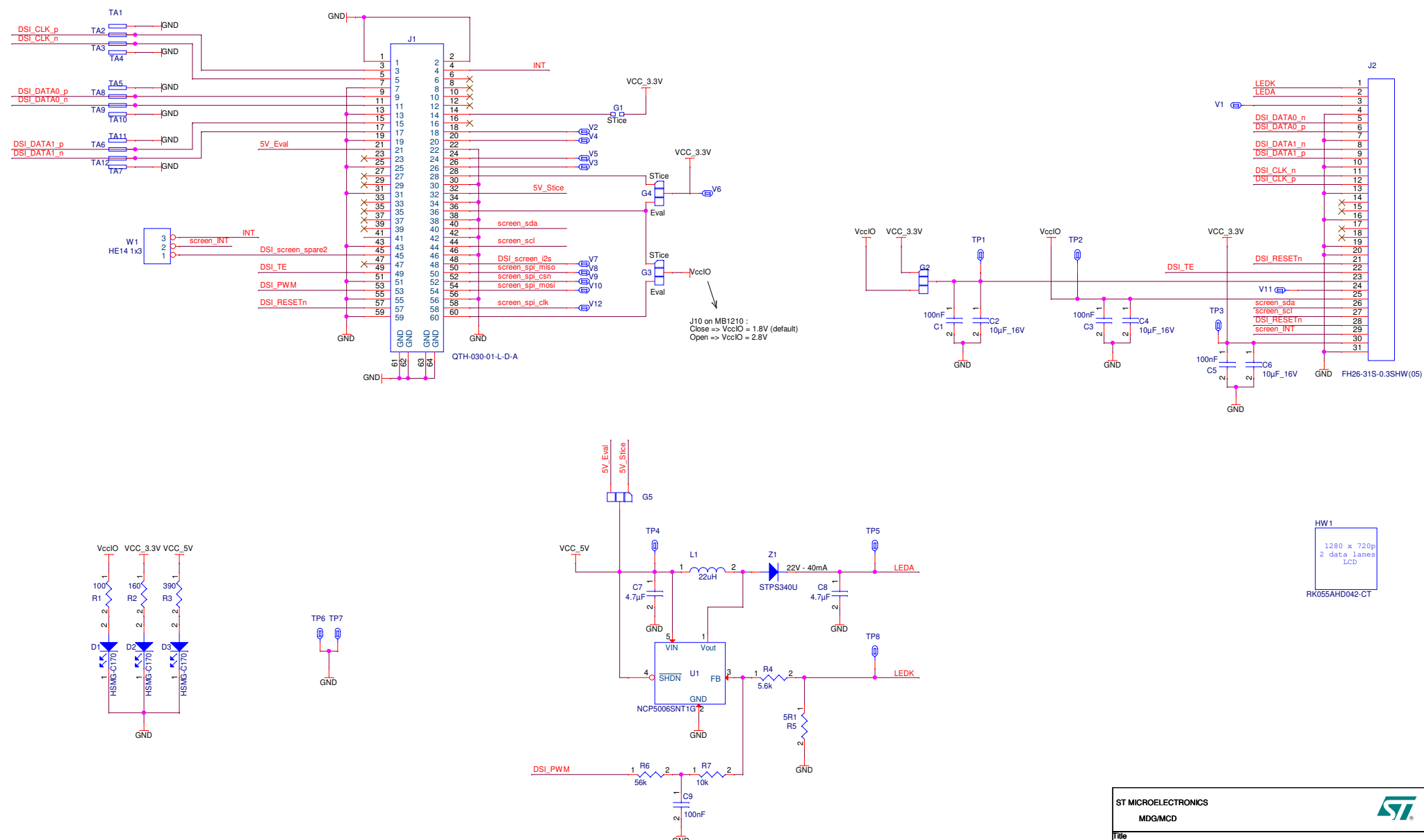


A - Comments

BOM: 01-RC1


| | | |
|--|--|---|
| ST MICROELECTRONICS | |  |
| MDG/MCD | | |
| Title MB1230: 1280 x 720p DSI Rocktech LCD | | |
| Size A4 | Document Number MB1230: 1280 x 720p DSI Rocktech LCD | Rev C01 |
| Date: Tuesday, August 20, 2019 | Sheet 1 | of 3 |

Schematic



| | | | |
|---|-----------------------------|----------|--|
| ST MICROELECTRONICS | | | |
| MDG/MCD | | | |
| Title: MB1230: 1280 x 720p DSI Rocktech LCD | | | |
| Size: A3 | Document Number: Connectors | Rev: C01 | |
| Date: Thursday, April 19, 2018 | Sheet: 2 | of: 3 | |

| ID | SCH version | Comments | Date |
|----|-------------|---|----------------|
| 1 | A01 | Initial version | 15 April. 2016 |
| | B01 | added choice between 5V from Eval board of from Stice (J1-21 or 32) | 08 July 2016 |
| | B02 | R6 changed to 56K for better LCD backlight control | 06 April 2018 |
| | C01 | Changed solder resist (varnish) to blue color | 18 April 2018 |

| | | |
|--------------------------------------|-----------------------------|---|
| ST MICROELECTRONICS | |  |
| MDG/MCD | | |
| Title | | |
| MB1230: 1280 x 720p DSI Rocktech LCD | | |
| Size | Document Number | Rev |
| A4 | A - Comments | C01 |
| Date: | Wednesday, January 23, 2019 | Sheet 3 of 3 |