

# STM32MP15-DISCO

MB1272

## Table of contents

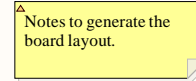
Sheet 1: Project_Overview
Sheet 2: Top
Sheet 3: STM32 MPU I/Os
Sheet 4: Power MPU
Sheet 5: Power PMIC
Sheet 6: USB Host Hub &TypeC DRP
Sheet 7: Audio
Sheet 8: DSI LCD Connector
Sheet 9: HDMI
Sheet 10: GPIO & Arduino Connectors
Sheet 11: DDR3 16bits
Sheet 10: Ethernet
Sheet 11: Peripherals
Sheet 10: WLAN Bluetooth
Sheet 11: Peripherals

## Legend

General comment such as function title, configuration, ...

Text to be added to silkscreen.

Warning text.



## Open Platform License Agreement

The Open Platform License Agreement (“Agreement”) is a binding legal contract between you (“You”) and STMicroelectronics International N.V. (“ST”), a company incorporated under the laws of the Netherlands acting for the purpose of this Agreement through its Swiss branch 39, Chemin du Champ des Filles, 1228 Plan-les-Ouates, Geneva, Switzerland.

By using the enclosed reference designs, schematics, PC board layouts, and documentation, in hardcopy or CAD tool file format (collectively, the “Reference Material”), You are agreeing to be bound by the terms and conditions of this Agreement. Do not use the Reference Material until You have read and agreed to this Agreement terms and conditions. The use of the Reference Material automatically implies the acceptance of the Agreement terms and conditions.

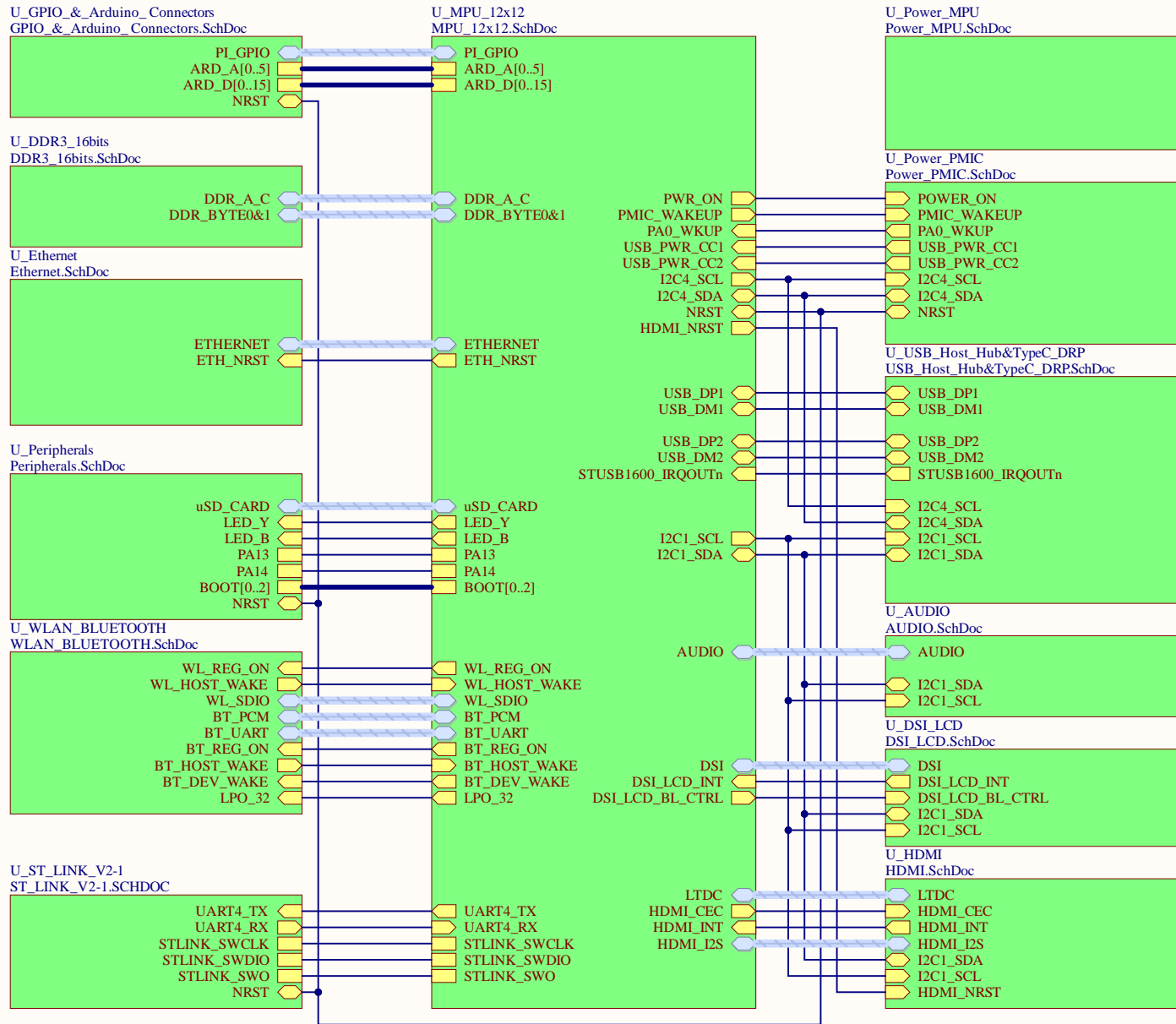
The complete Open Platform License Agreement can be found on [www.st.com/opla](http://www.st.com/opla).

U\_Top  
Top.SchDoc



Title: <b>Project_Overview</b>		
Project: <b>STM32MP15-DISCO</b>		
Variant: <b>DK1</b>		
Revision: <b>C-03</b>	Reference: <b>MB1272</b>	
Size: <b>A4</b>	Date: <b>20-09-2022</b>	Sheet: <b>1</b> of <b>15</b>





HW1302

BOARD CPN

Board CPN

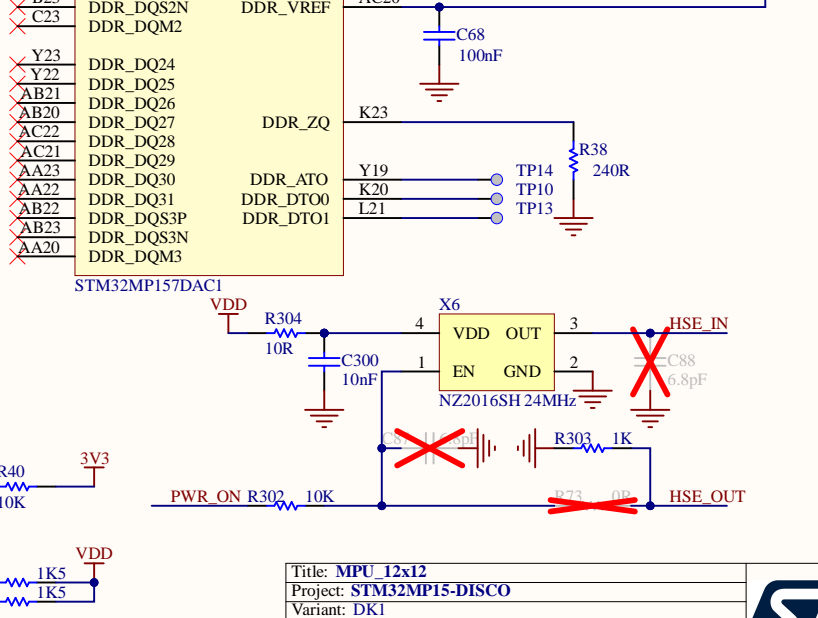
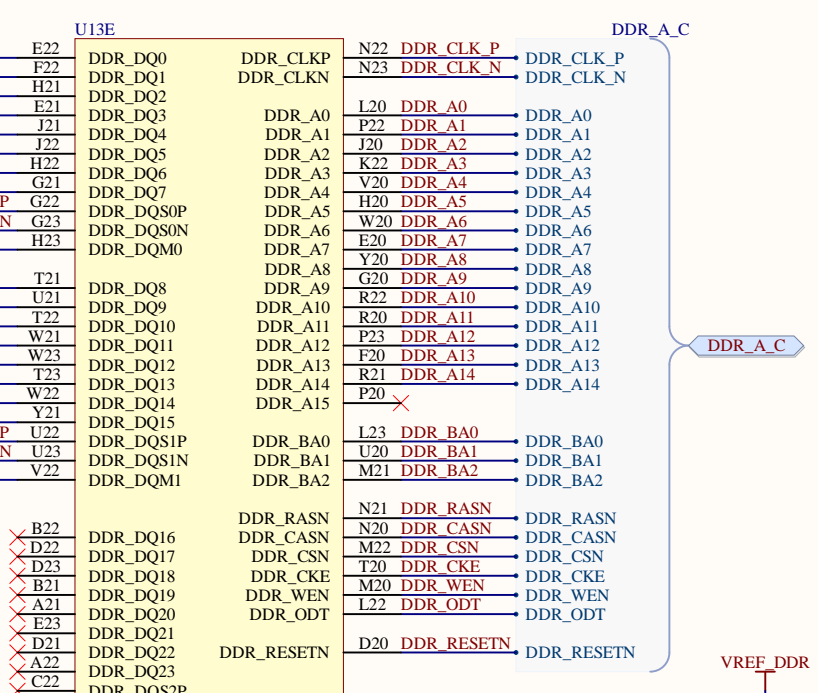
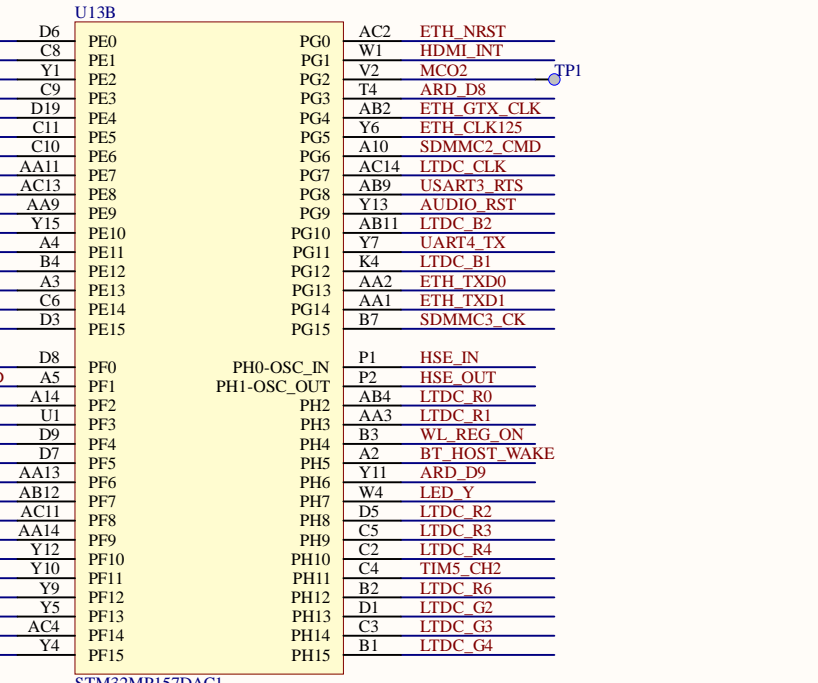
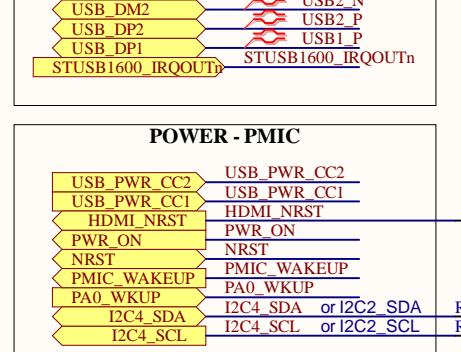
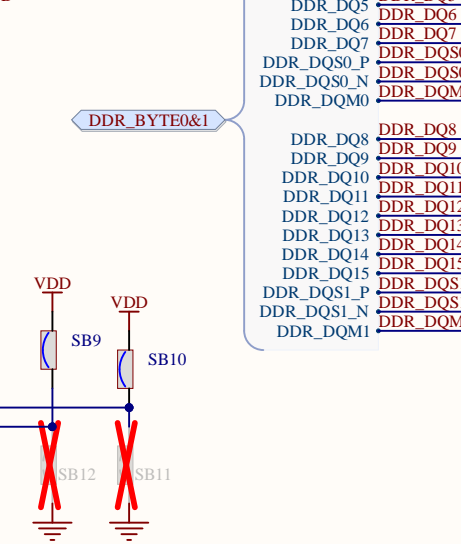
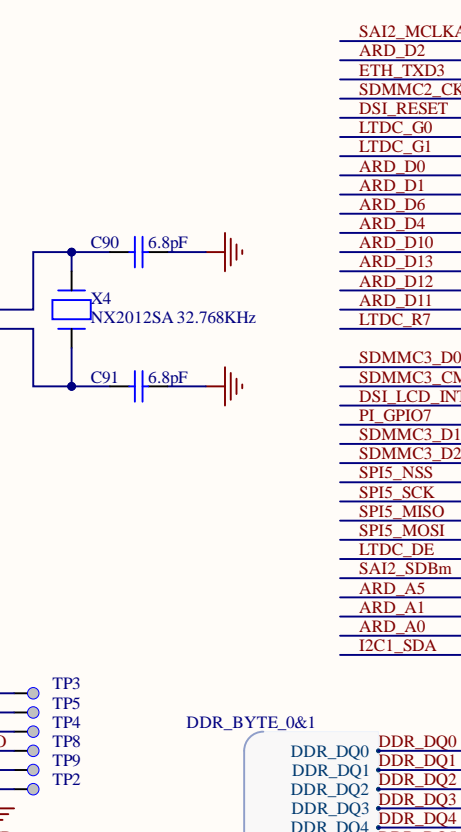
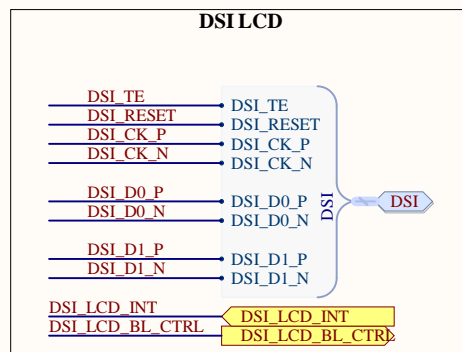
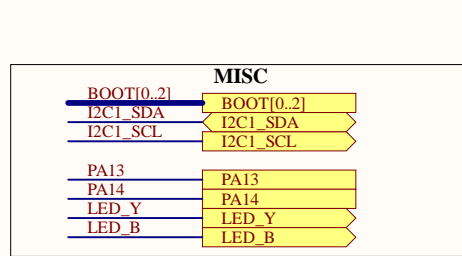
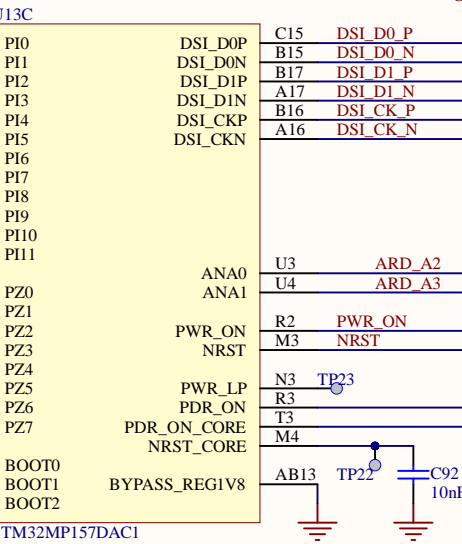
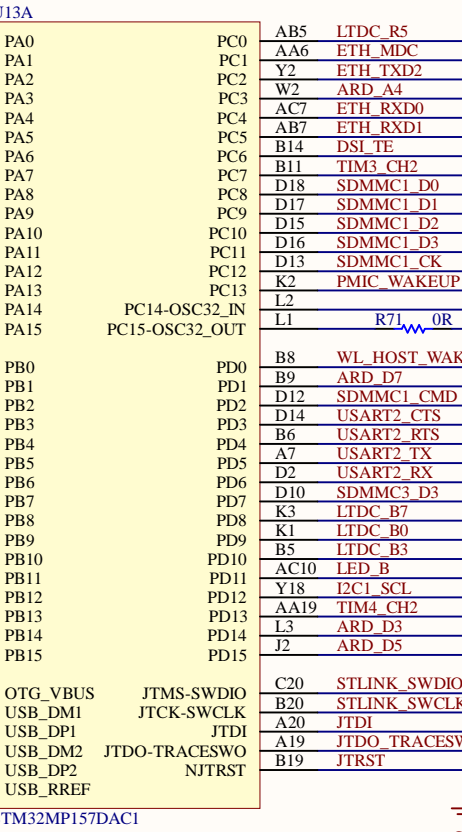
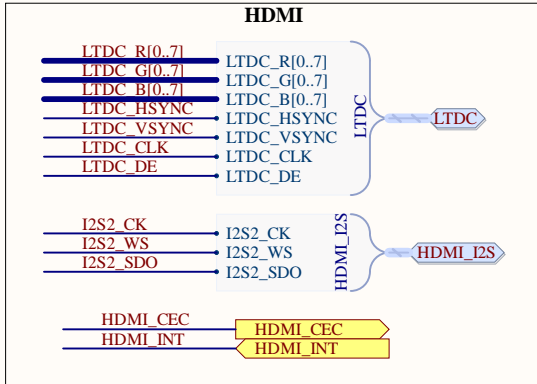
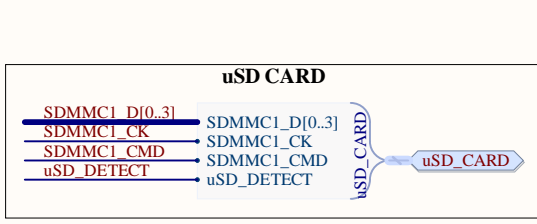
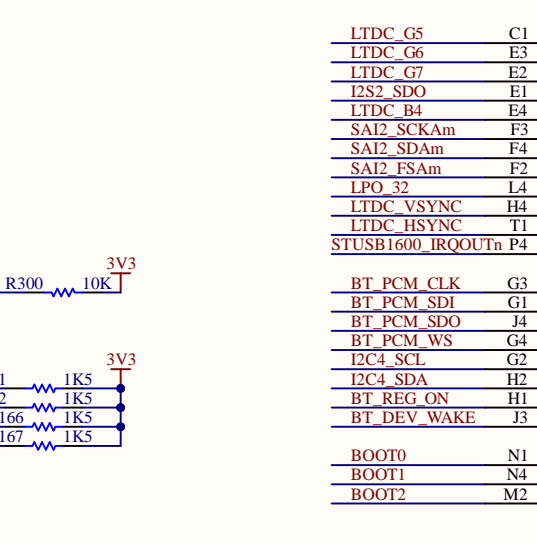
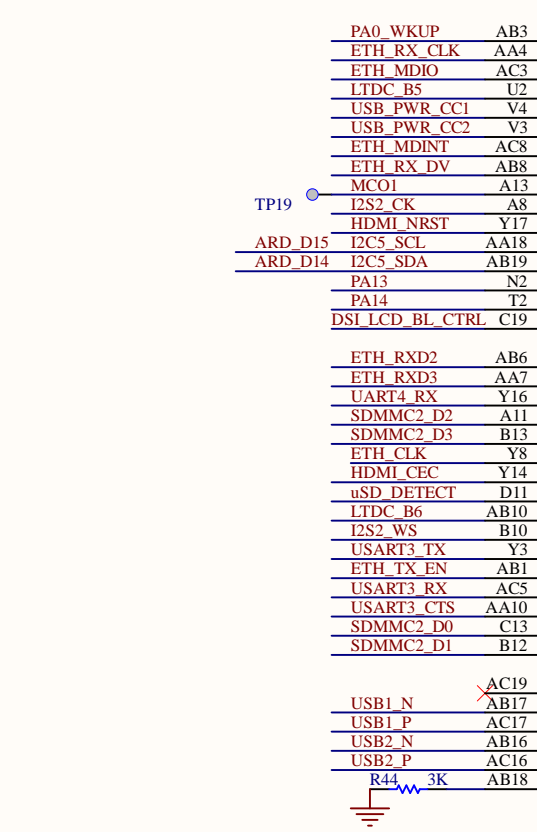
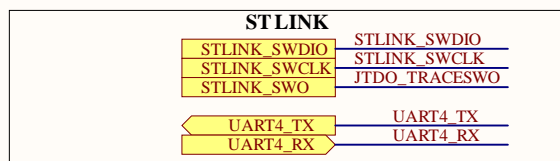
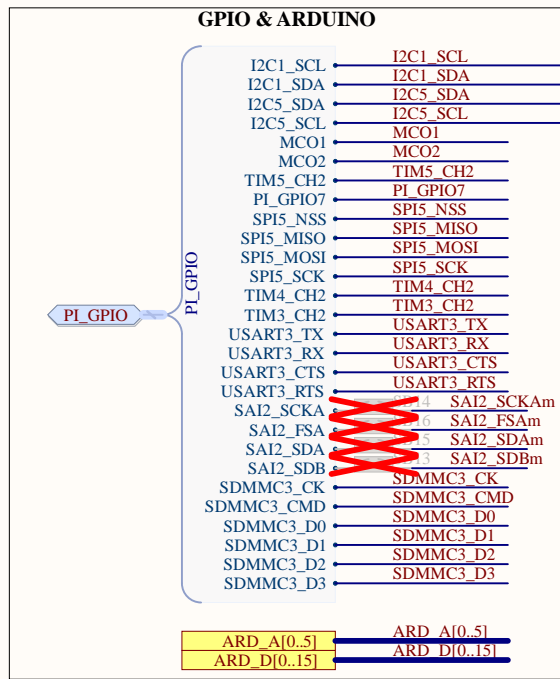
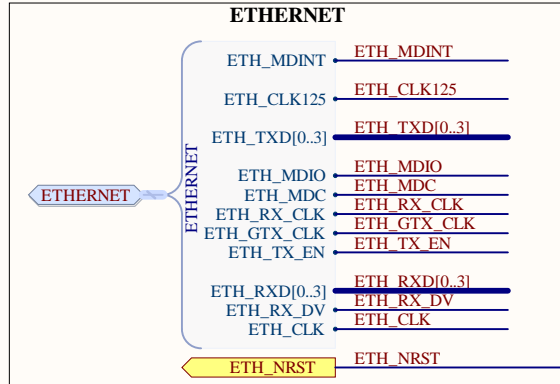
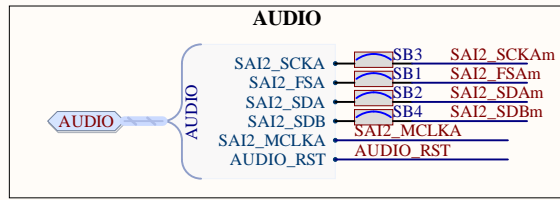
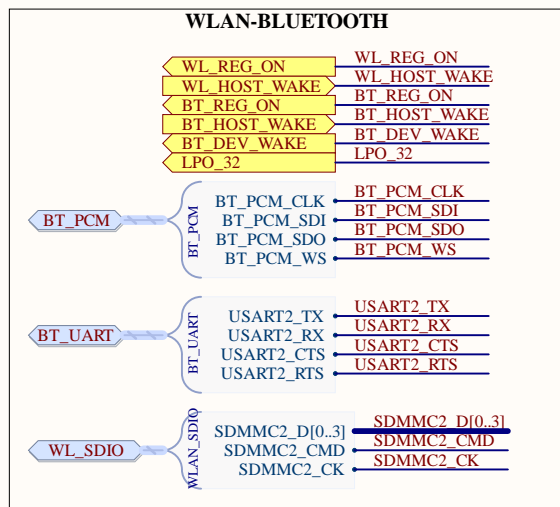
HW1303

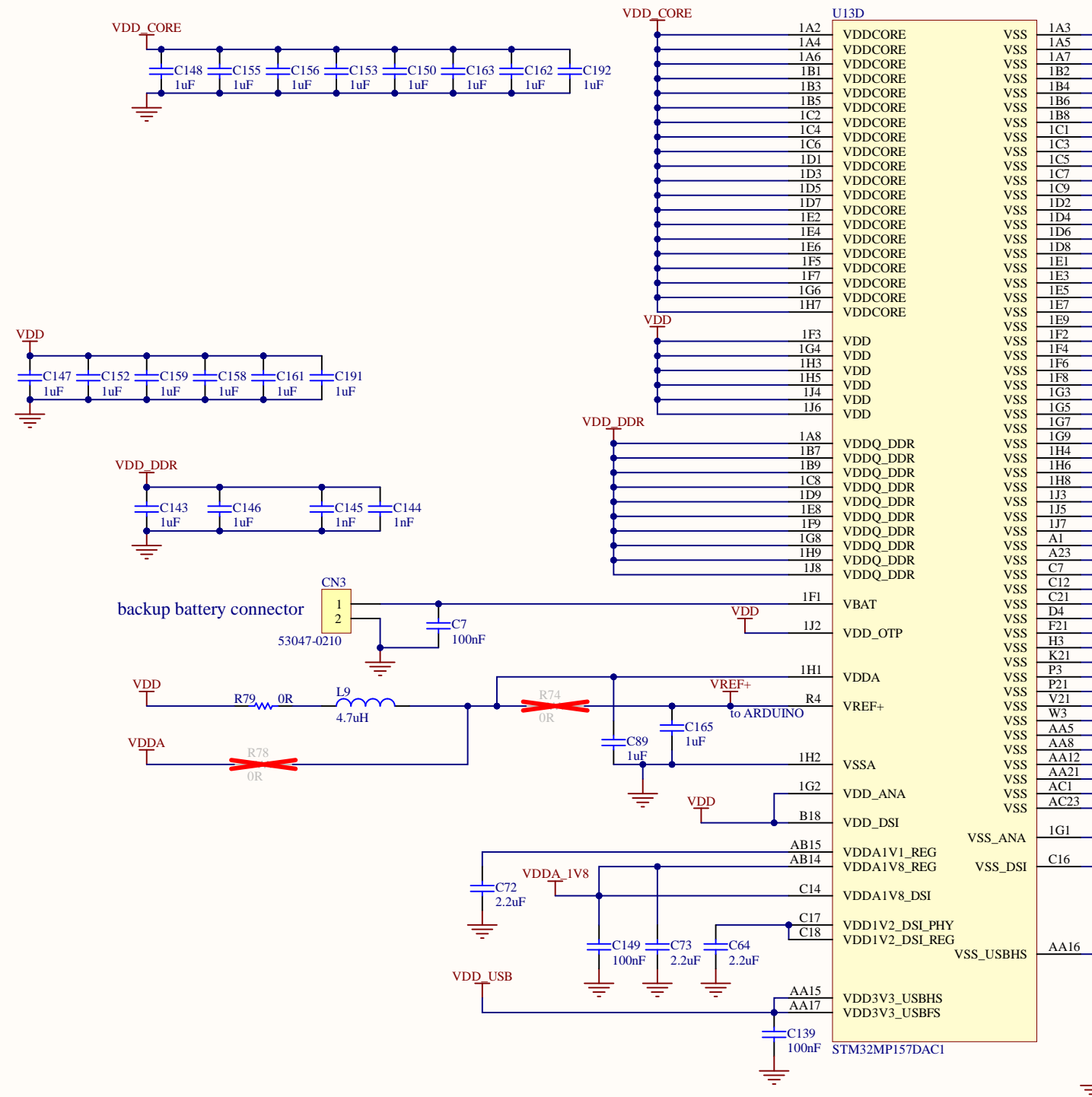
BOARD REF

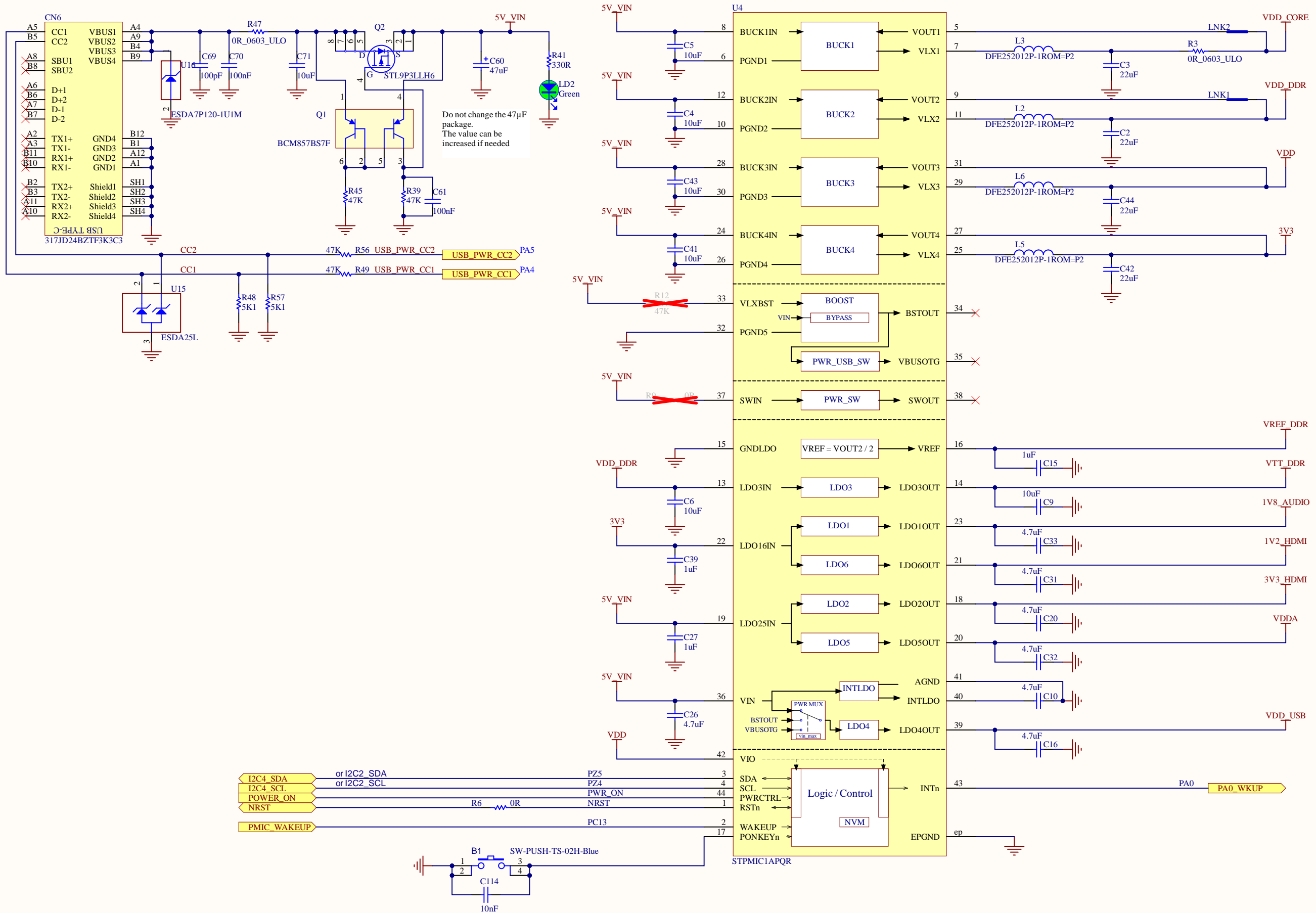
MBxxxxx-yy-zz-syyywxxxxx

Title: <b>Top</b>	
Project: <b>STM32MP15-DISCO</b>	
Variant: <b>DK1</b>	
Revision: <b>C-03</b>	Reference: <b>MB1272</b>
Size: <b>A4</b>	Sheet: <b>2</b> of <b>15</b>

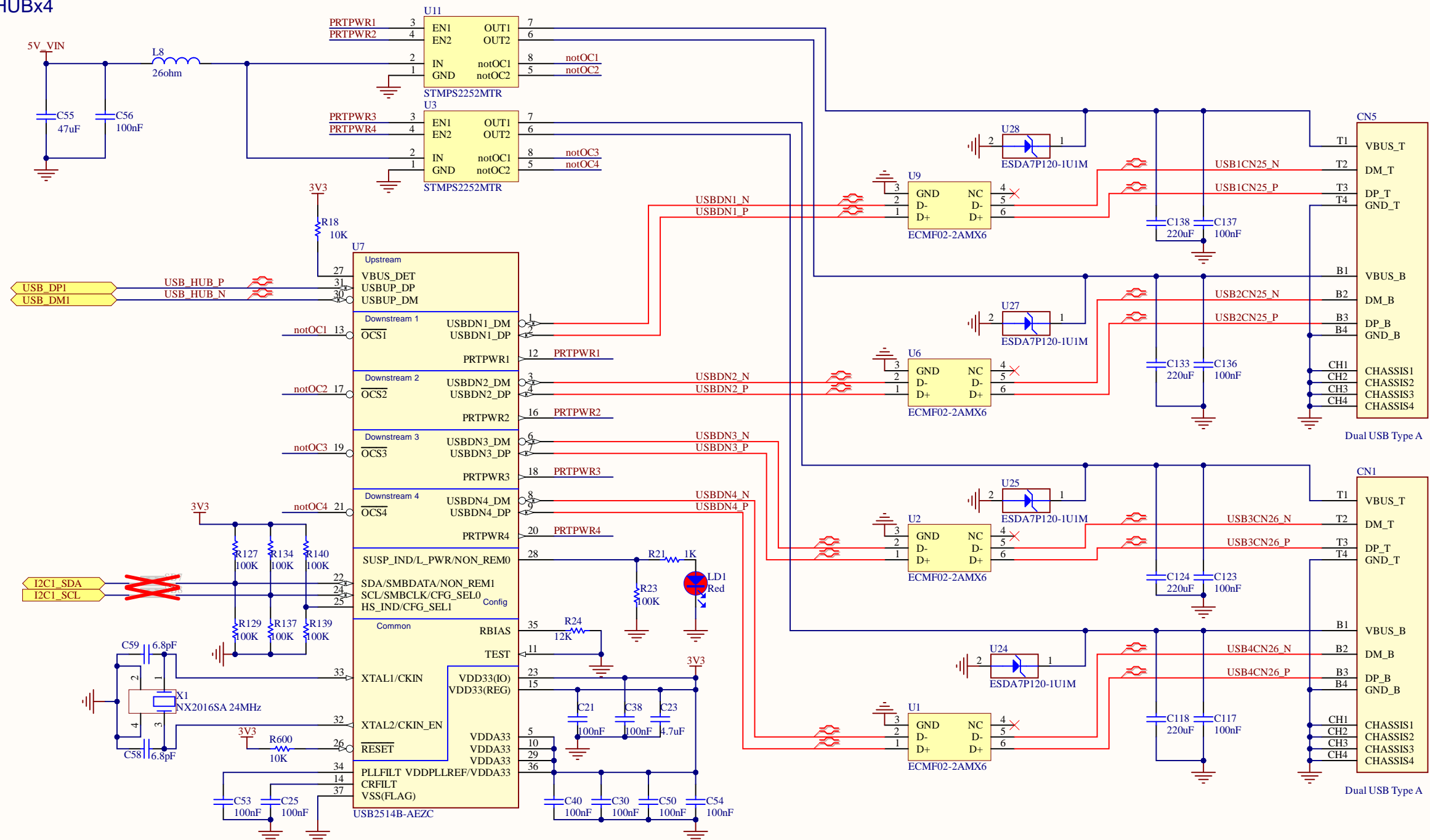






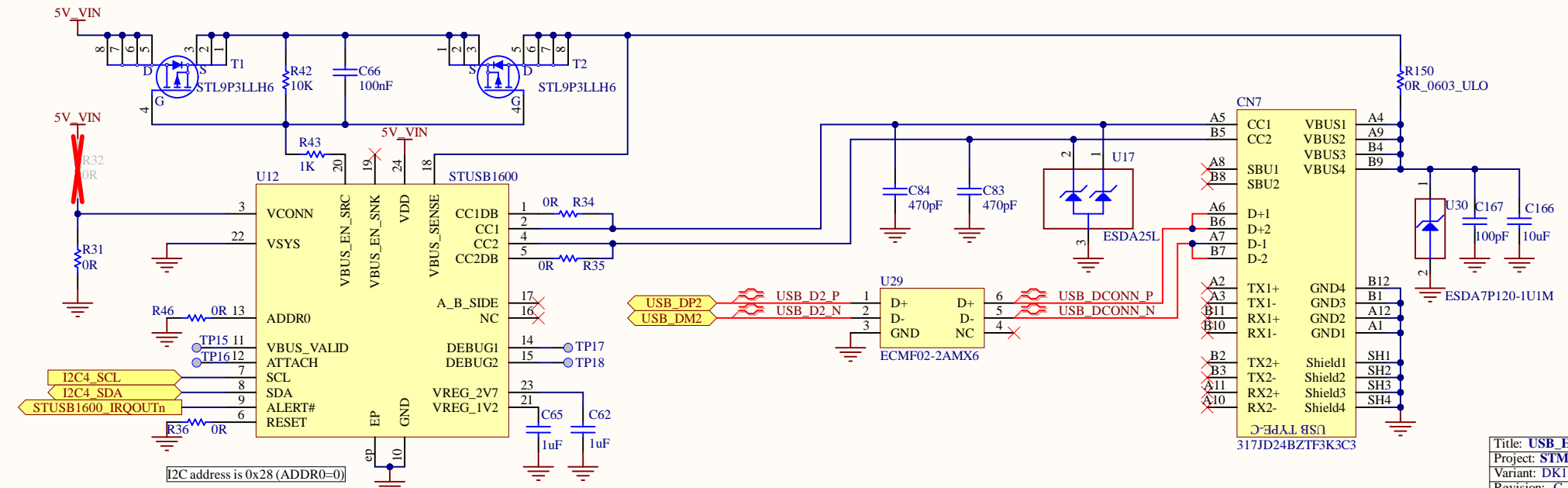


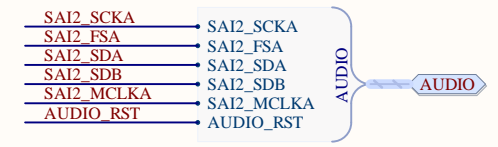
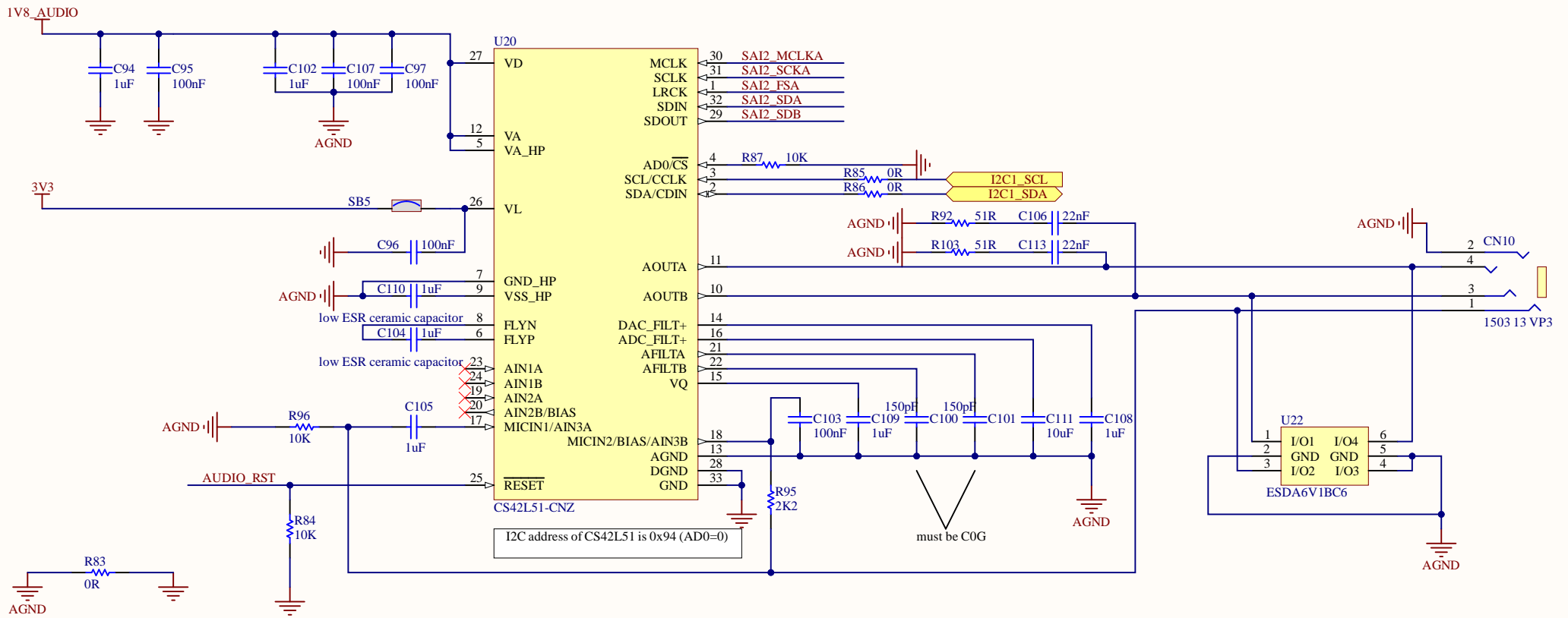
# USB\_HOST\_HUBx4



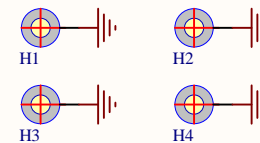
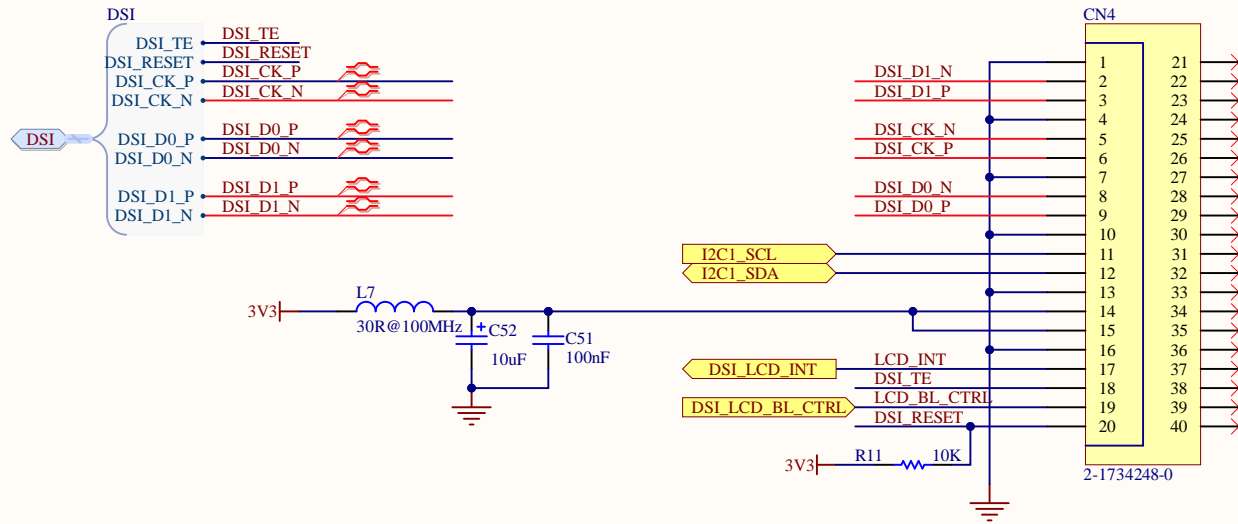
# USB\_TYPE\_C\_DRP

Source only





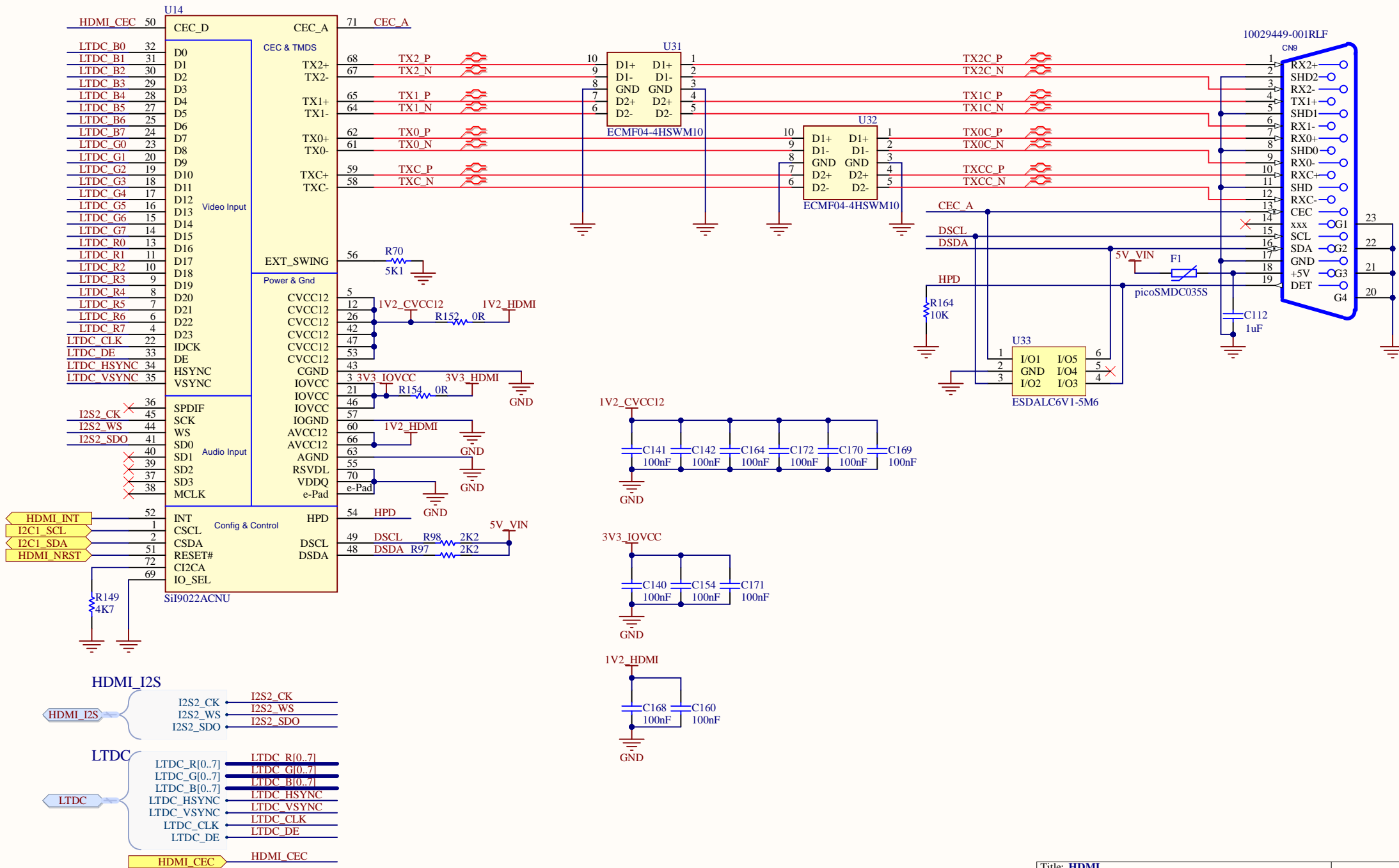
MB1407 I2C Address : 0101 0100



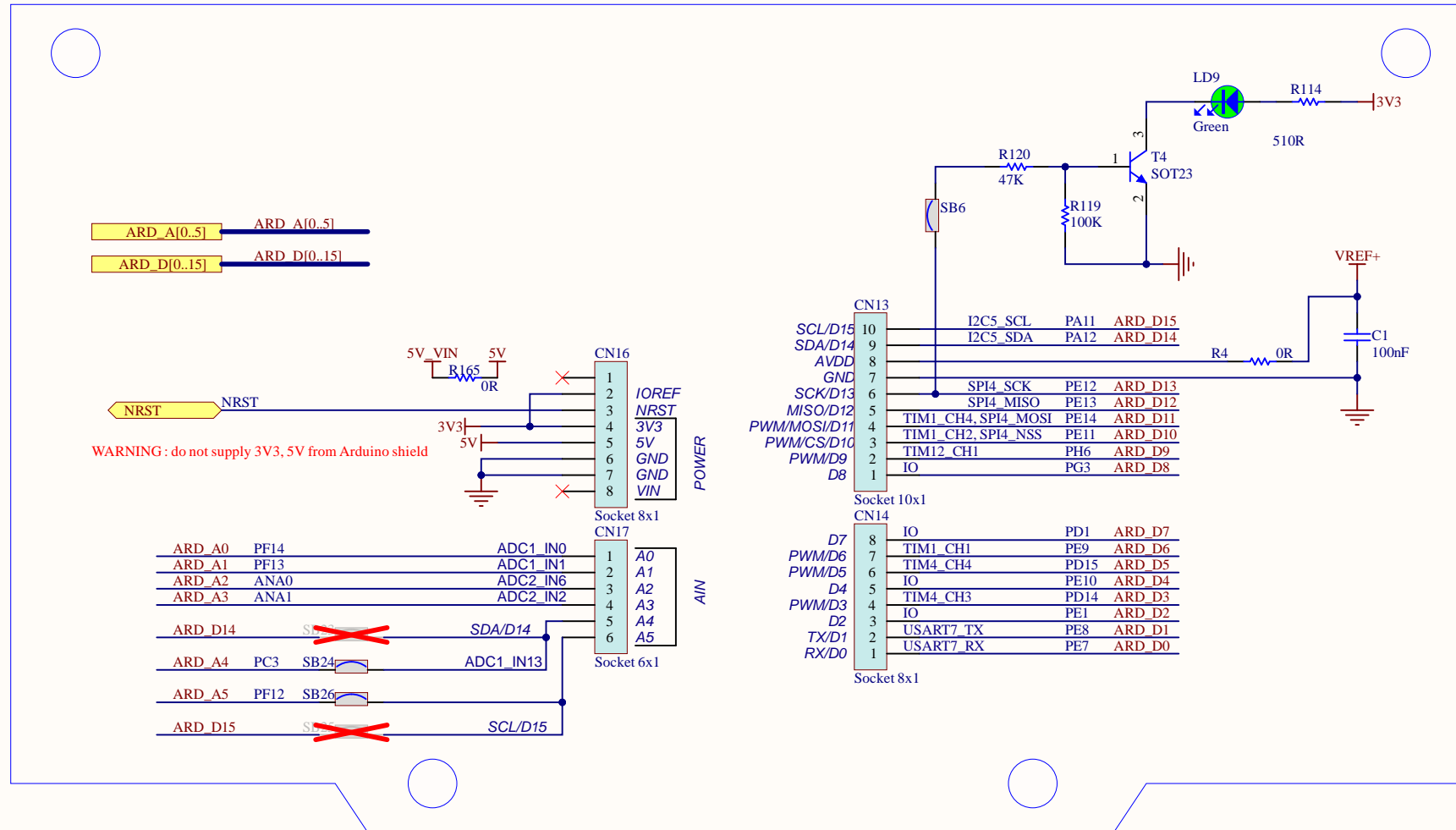
Title: <b>DSI_LCD_connector</b>		
Project: <b>STM32MP15-DISCO</b>		
Variant: <b>DK1</b>		
Revision: <b>C-03</b>	Reference: <b>MB1272</b>	
Size: <b>A4</b>	Date: <b>20-09-2022</b>	Sheet: <b>8</b> of <b>15</b>



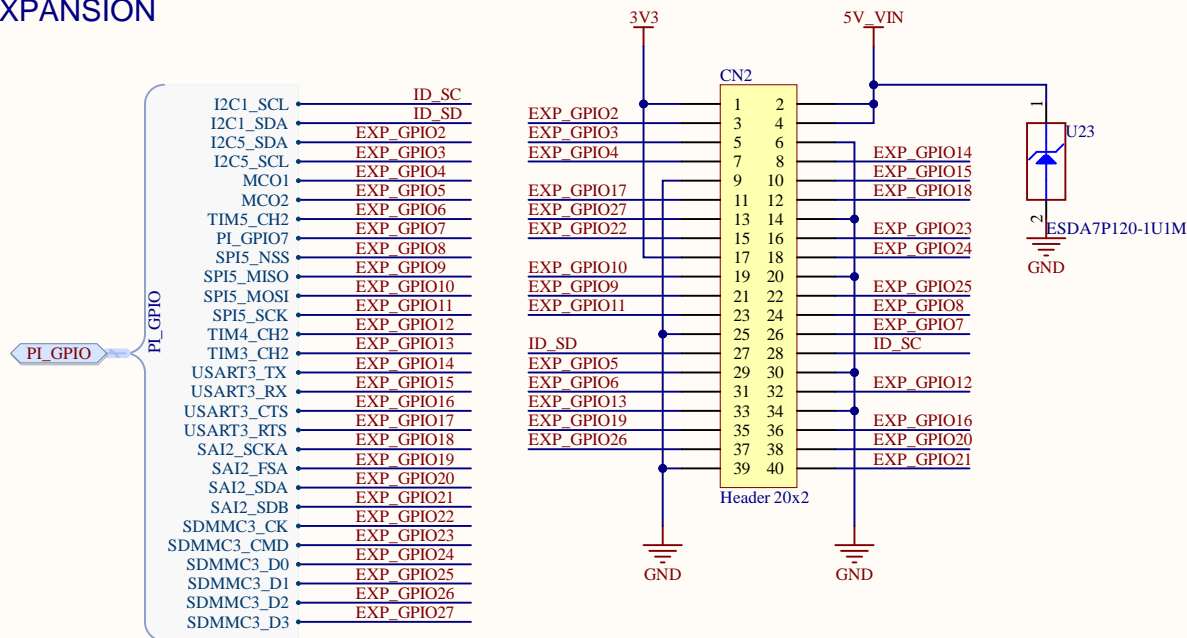


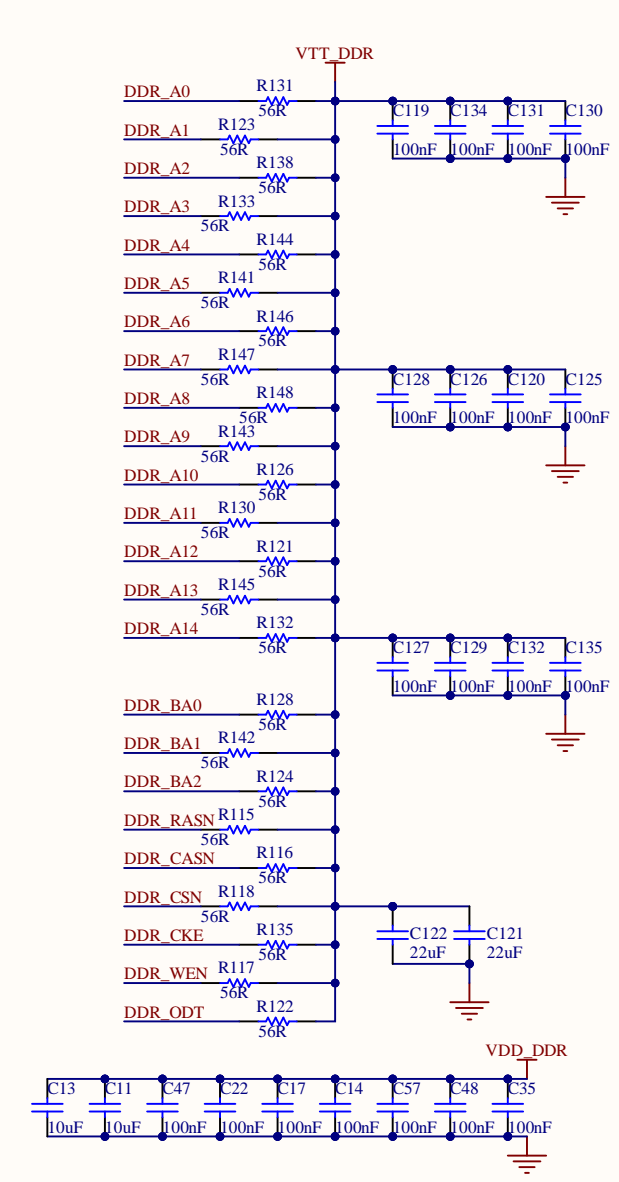
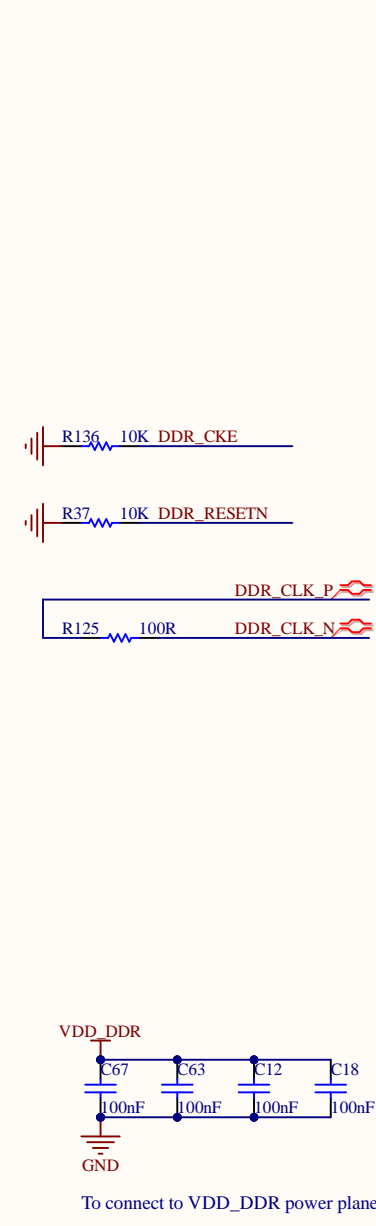
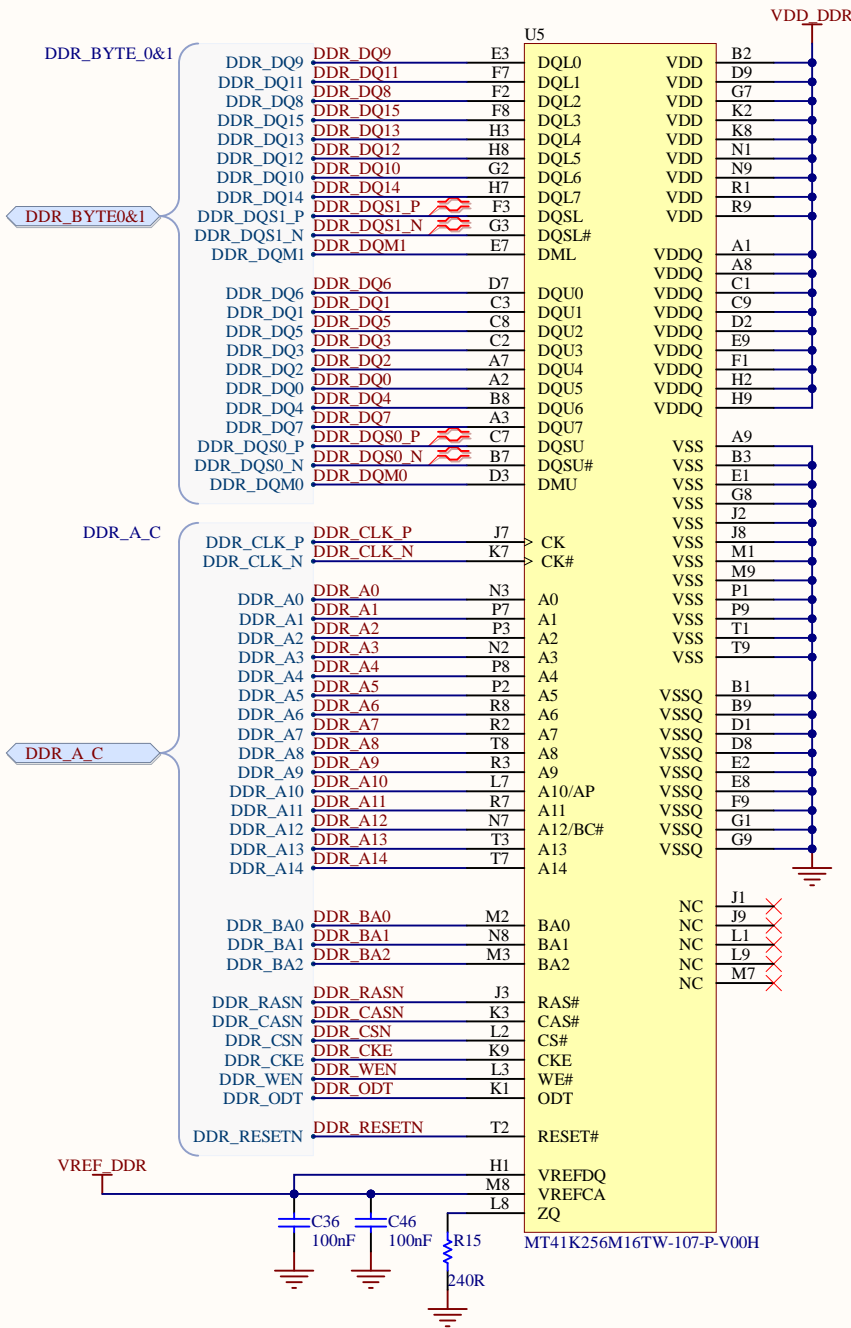


# ARDUINO UNO connector

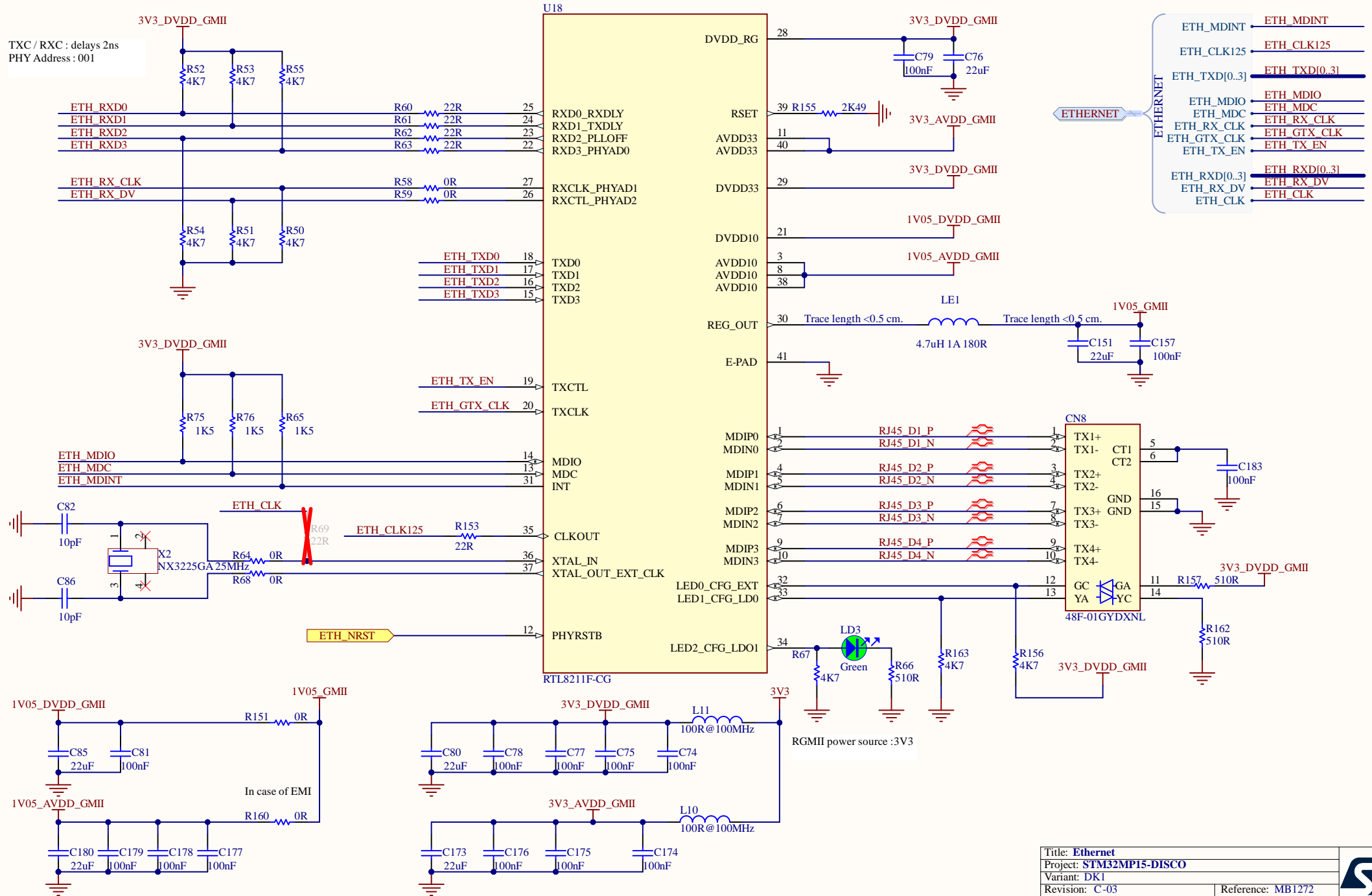


# GPIO EXPANSION





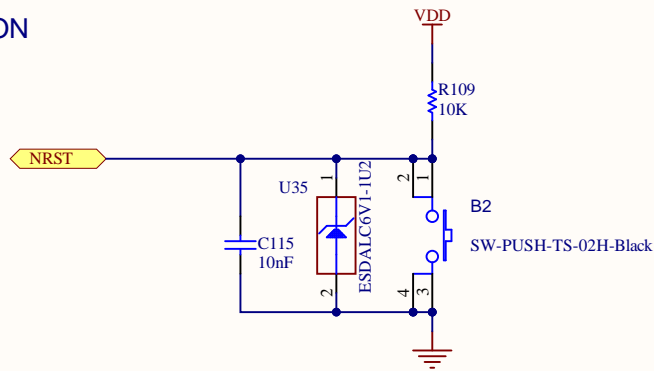
TXC / RXC : delays 2ns  
PHY Address : 001



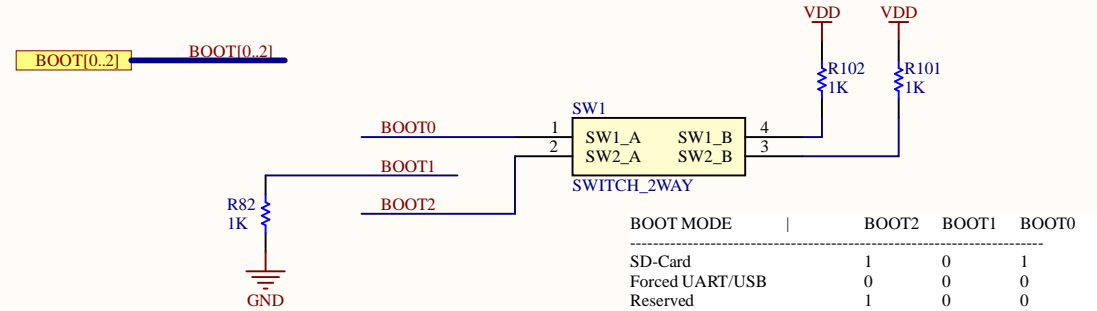
ETH_MDINT	ETH_MDINT
ETH_CLK125	ETH_CLK125
ETH_TXD[0..3]	ETH_TXD0..3
ETH_MDIO	ETH_MDIO
ETH_MDC	ETH_MDC
ETH_RX_CLK	ETH_RX_CLK
ETH_GTX_CLK	ETH_GTX_CLK
ETH_TX_EN	ETH_TX_EN
ETH_RXD[0..3]	ETH_RXD0..3
ETH_RX_DV	ETH_RX_DV
ETH_CLK	ETH_CLK



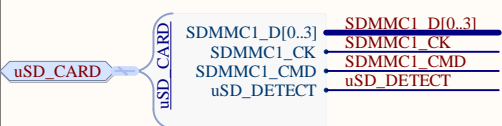
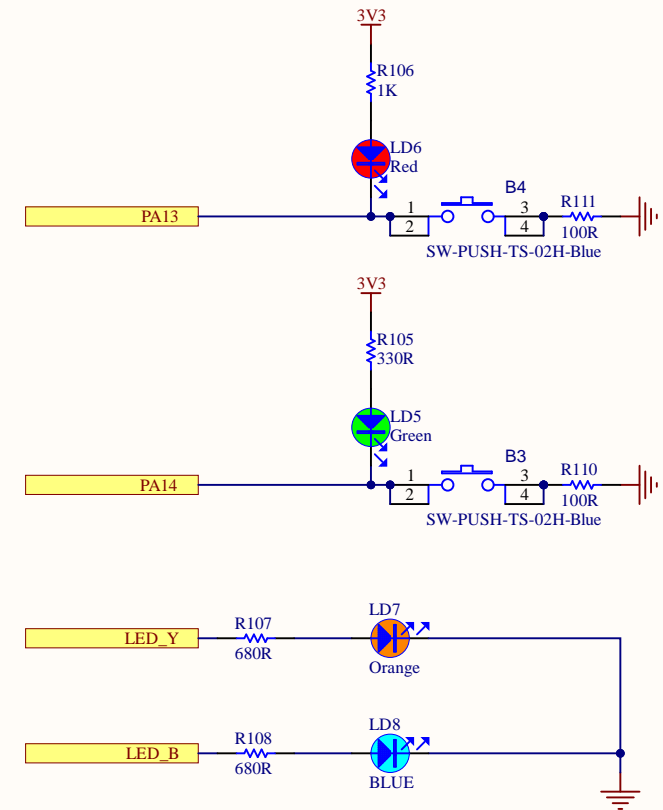
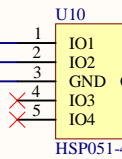
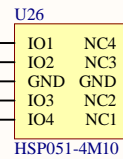
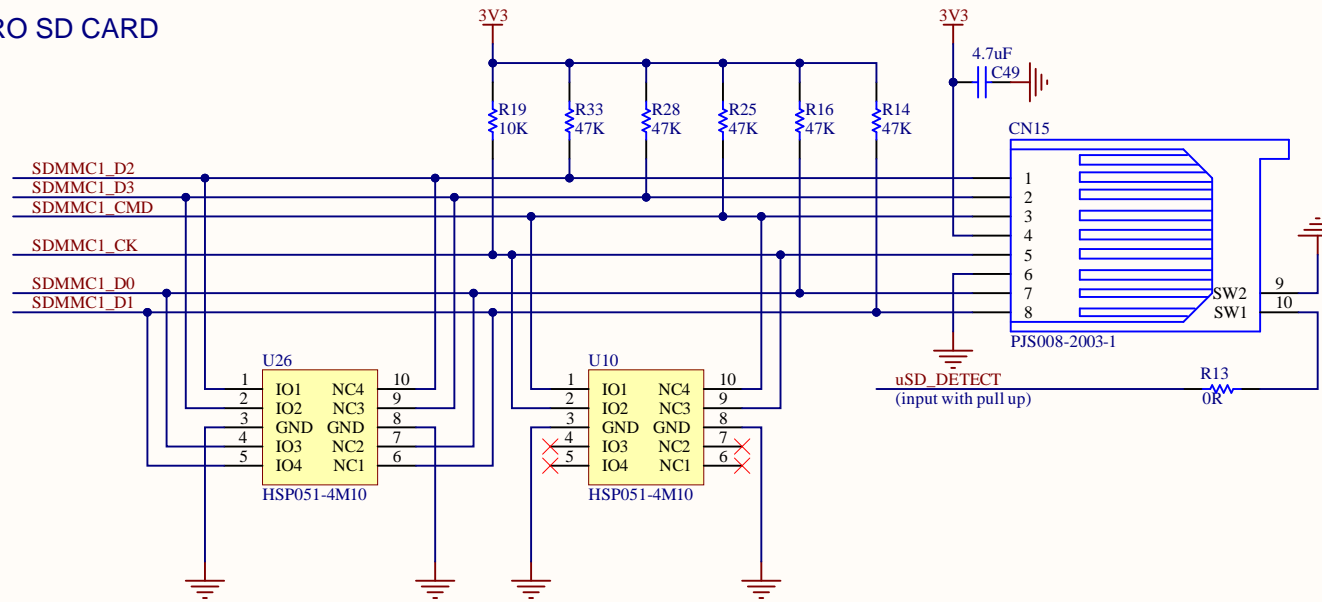
## RESET BUTTON

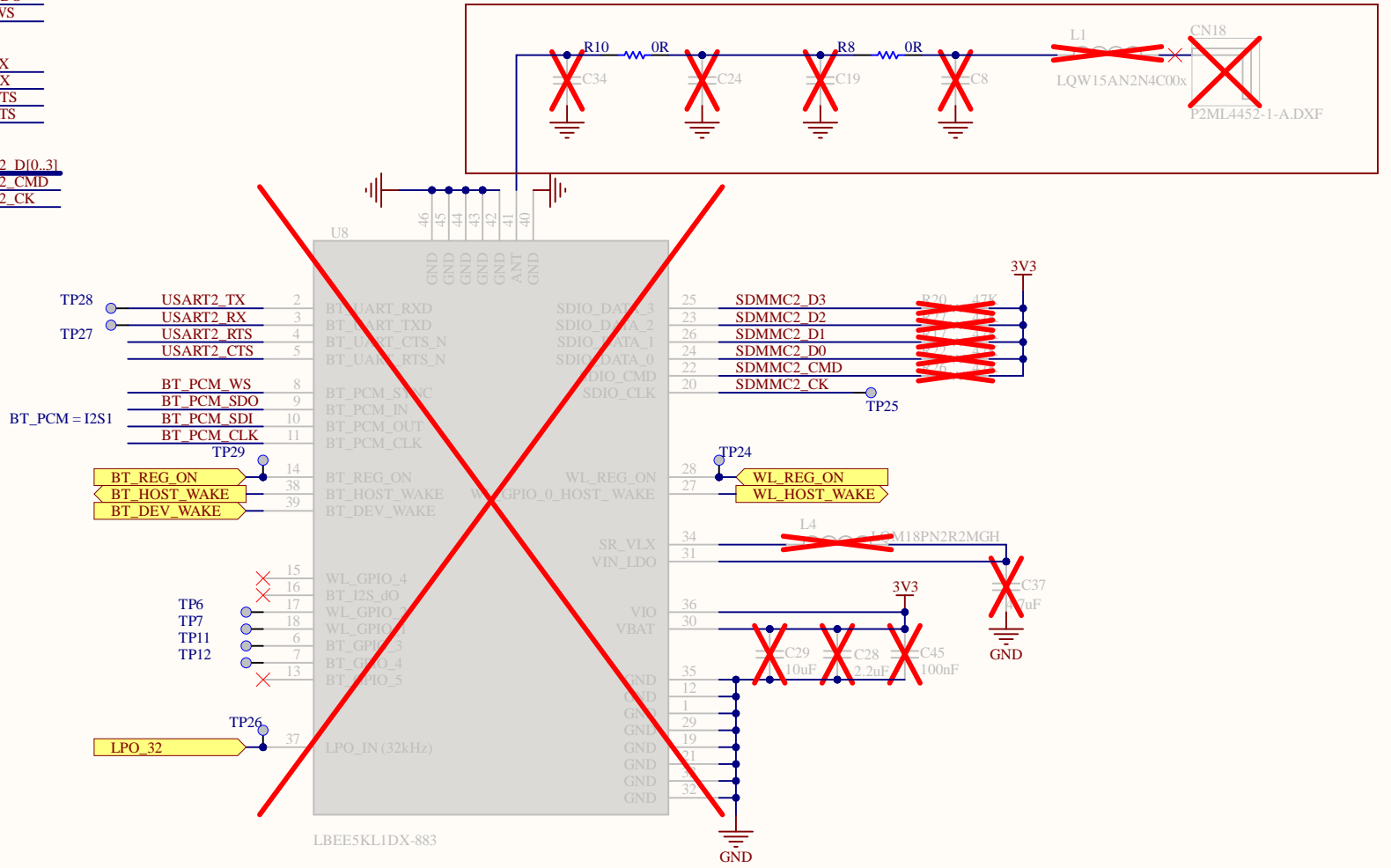
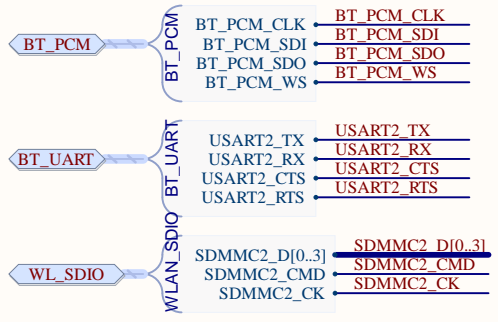


## BOOT MODE



## MICRO SD CARD





LBEE5KL1DX-883

Title: <b>WLAN_BLUETOOTH</b>	
Project: <b>STM32MP15-DISCO</b>	
Variant: <b>DK1</b>	
Revision: <b>C-03</b>	Reference: <b>MB1272</b>
Size: <b>A4</b>	Date: <b>20-09-2022</b>
Sheet: <b>14 of 15</b>	



