

NUCLEO64 ext-SMPS

MB1319

Table of contents

Sheet 1: Project overview (this page)

Sheet 2: MB1319_Top

Sheet 3: STM32 microcontroller I/Os

Sheet 4: STM32 microcontroller power

Sheet 5: Arduino extension connectors

Sheet 6: Power

Sheet 7: Power SMPS

Sheet 8: ST-Link/V2-1

U_mb1319_Top
mb1319_Top.SchDoc

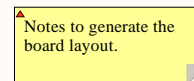


Legend

General comment such as function title, configuration, ...

Text to be added to silkscreen.

Warning text.



OPEN PLATFORM LICENSE AGREEMENT

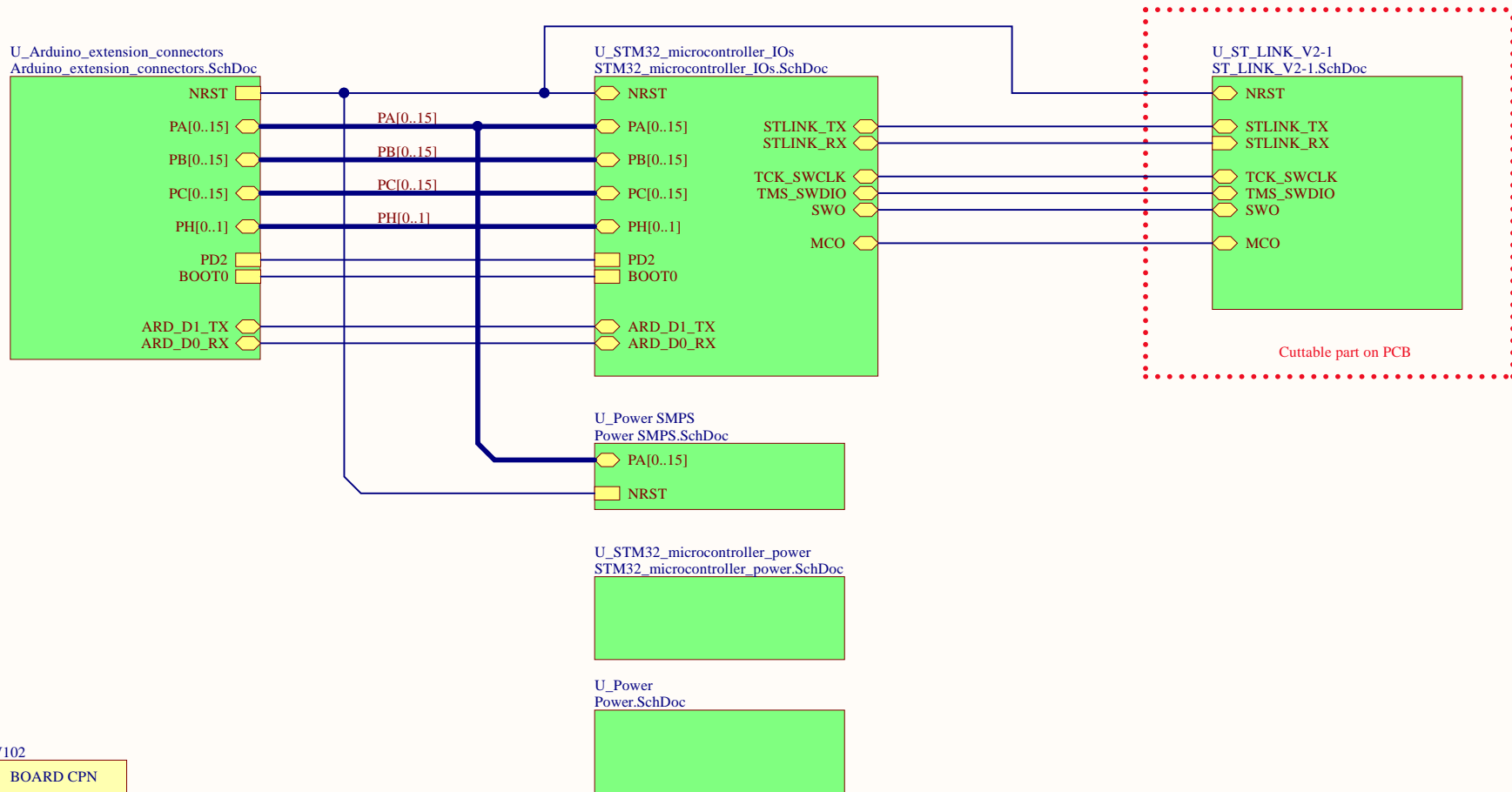
The Open Platform License Agreement (“Agreement”) is a binding legal contract between you (“You”) and STMicroelectronics International N.V. (“ST”), a company incorporated under the laws of the Netherlands acting for the purpose of this Agreement through its Swiss branch 39, Chemin du Champ des Filles, 1228 Plan-les-Ouates, Geneva, Switzerland.

By using the enclosed reference designs, schematics, PC board layouts, and documentation, in hardcopy or CAD tool file format (collectively, the “Reference Material”), You are agreeing to be bound by the terms and conditions of this Agreement. Do not use the Reference Material until You have read and agreed to this Agreement terms and conditions. The use of the Reference Material automatically implies the acceptance of the Agreement terms and conditions.

The complete Open Platform License Agreement can be found on www.st.com/opla.

Title: Project overview	
Project: NUCLEO64 ext-SMPS	
Variant: L433RC_P	
Revision: C-01	Reference: MB1319
Size: A4	Date: 05-January-2018 Sheet: 1 of 8





HW101
BOARD REF
MB1319C-01 xxxx

HW102
BOARD CPN
NUCLEO-L433RC-P

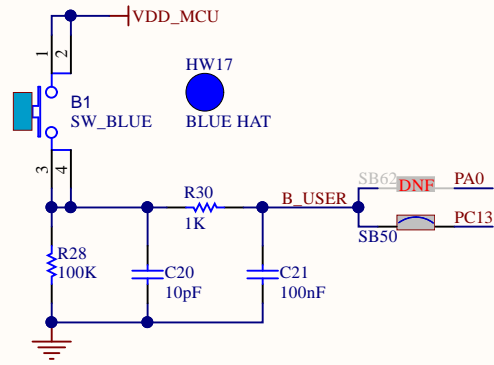
HW100
PCB
MB1319C

HW103
BLISTER
NUCLEO64_BLISTER

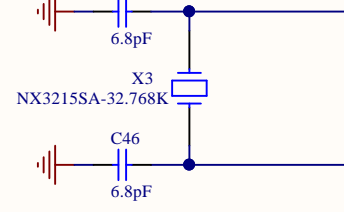
HW104 DNF LOGO NUCLEO
HW105 DNF LOGO ST
HW106 DNF LOGO CE
HW107 DNF LOGO ESD
HW108 DNF LOGO ROHS
HW109 DNF LOGO STM32



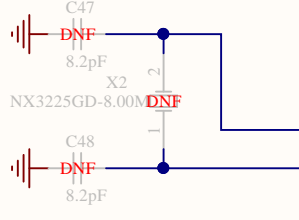
USER BUTTON



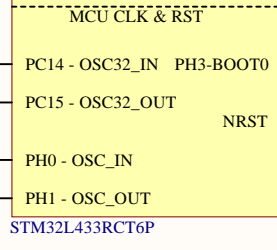
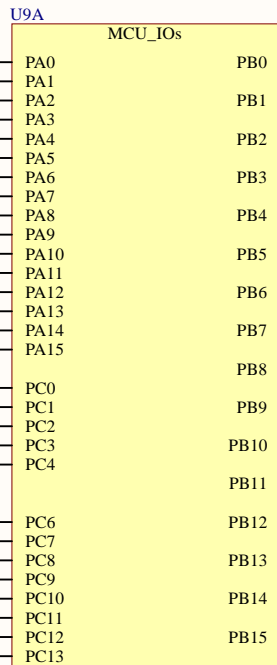
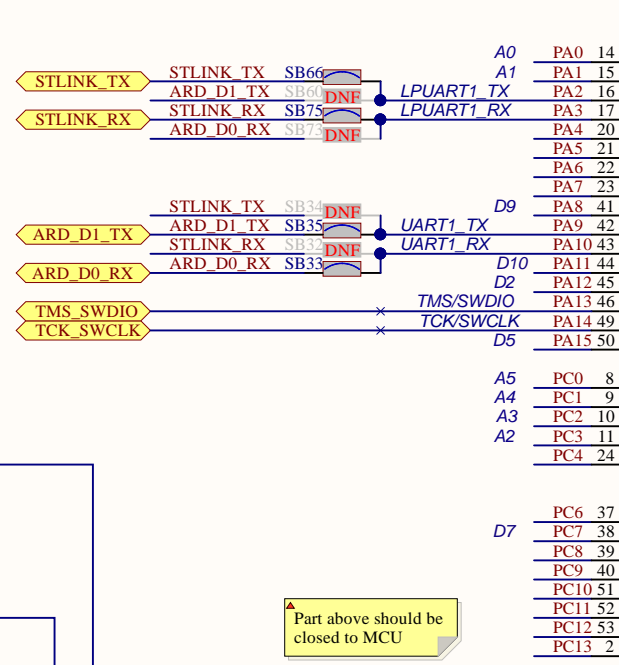
EXTERNAL LSE CLK



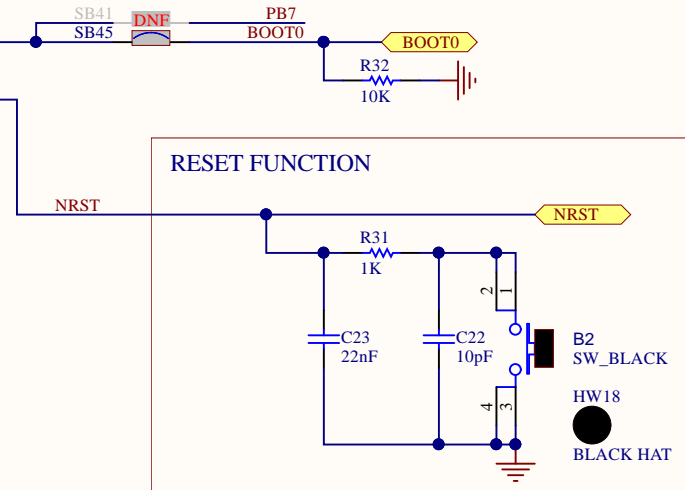
EXTERNAL HSE CLK



PA[0..15] PA0..15 PB[0..15] PB0..15 PC[0..15] PC0..15 PH[0..1] PH0..11



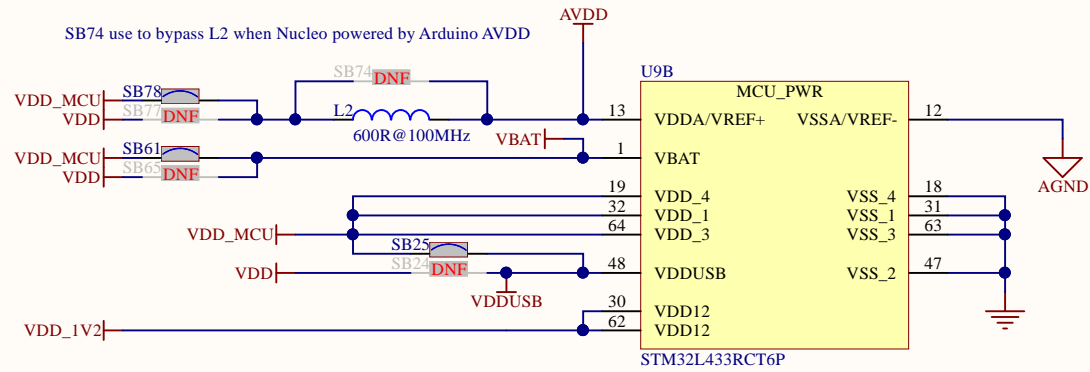
RESET FUNCTION



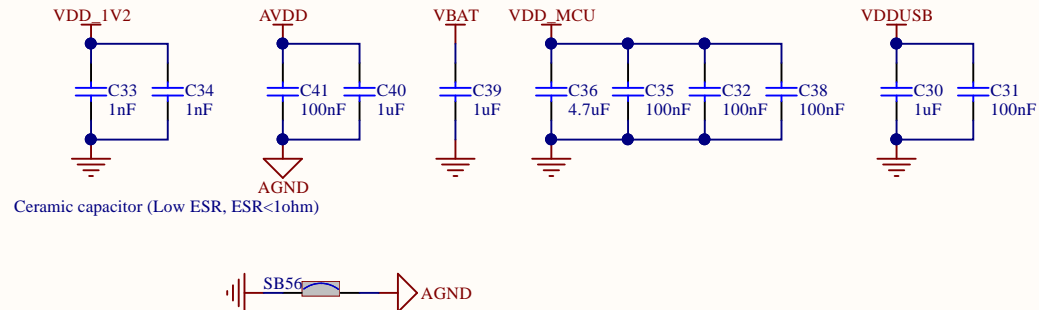
For IC compatible config 1:
 Pin25: PB0: SB63
 Pin26: PB1: SB52
 Pin27: PB2: SB44
 Pin54: PB3: SB18
 Pin55: PB4: SB22
 Pin56: PB5: SB26
 Pin57: PB6: SB28
 Pin58: PB7: SB38
 Pin60: PB8: SB53
 Pin61: PB9: SB58
 Pin28: PB10: SB54
 Pin29: PB11: SB37
 Pin59: PH3-BOOT0: SB45

For IC compatible config 2:
 Pin25: PC5: SB59
 Pin26: PB0: SB57
 Pin27: PB1: SB47
 Pin54: PD2: SB16
 Pin55: PB3: SB19
 Pin56: PB4: SB23
 Pin57: PB5: SB27
 Pin58: PB6: SB36
 Pin60: PH3-BOOT0: SB48
 Pin61: PB8: SB55
 Pin28: PB2: SB40
 Pin29: PB10: SB49
 Pin59: PB7: SB41

MCU PWR SUPPLIES

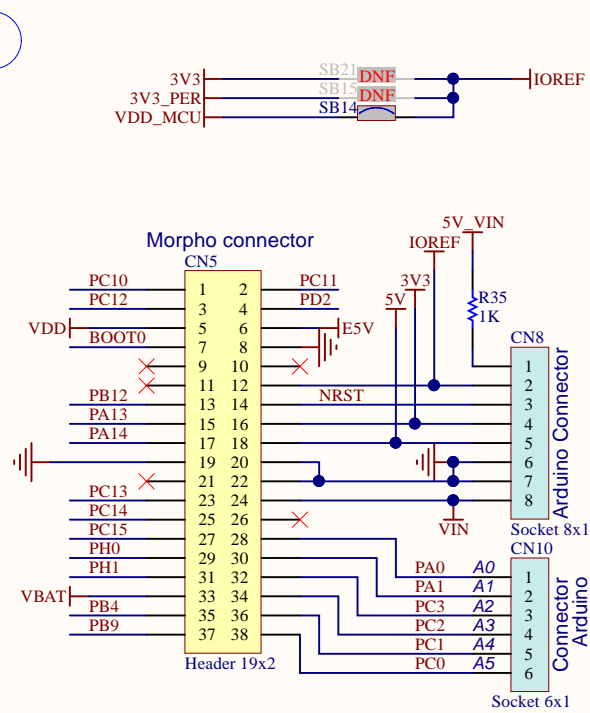


DECAPS

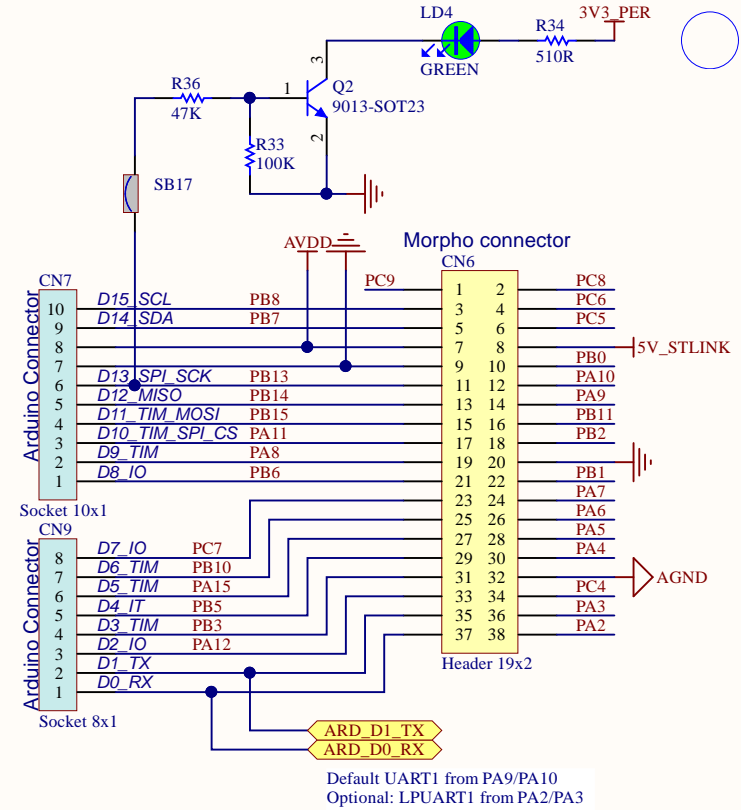


IOREF SELECTION	SB21	SB15	SB14	
IOREF= 3V3	Closed	Open	Open	
IOREF = 3V3_PER	Open	Closed	Open	
IOREF = VDD_MCU Mainly for 1V8 compatibility	Open	Open	Closed	Default

- PA[0..15] PA[0..15]
- PB[0..15] PB[0..15]
- PC[0..15] PC[0..15]
- PD2 PD2
- NRST NRST
- BOOT0 BOOT0
- PH[0..1] PH[0..1]



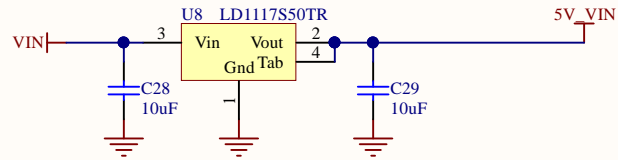
MCU



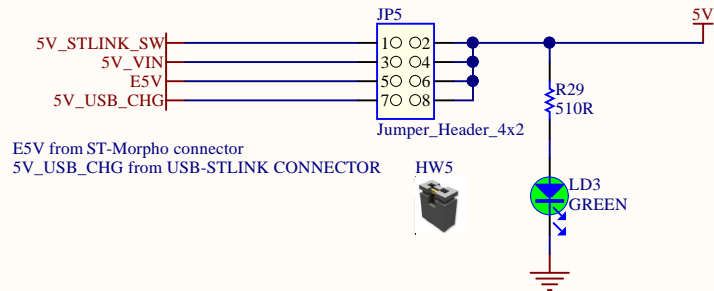
Default UART1 from PA9/PA10
Optional: LPUART1 from PA2/PA3



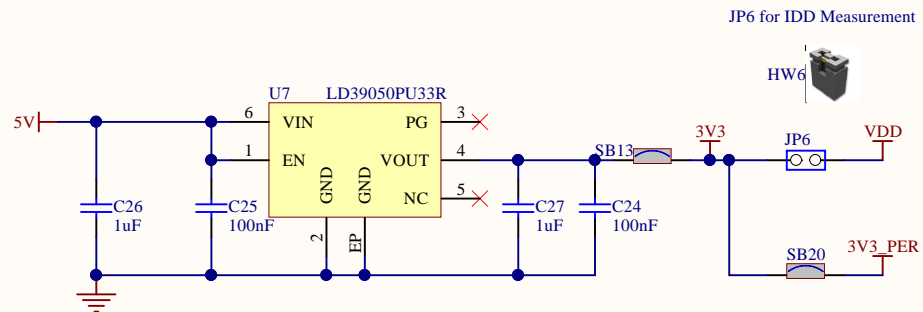
VIN / 5V PWR



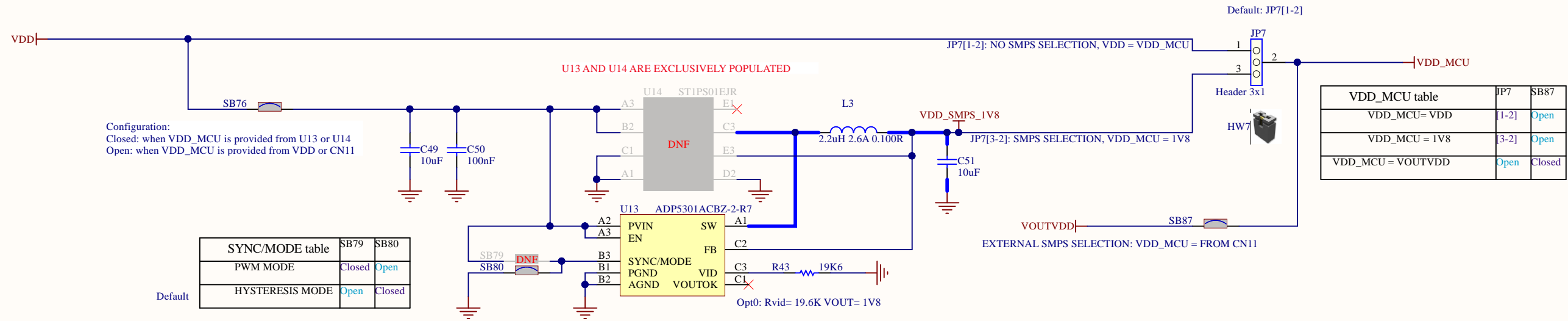
5V PWR SELECTION



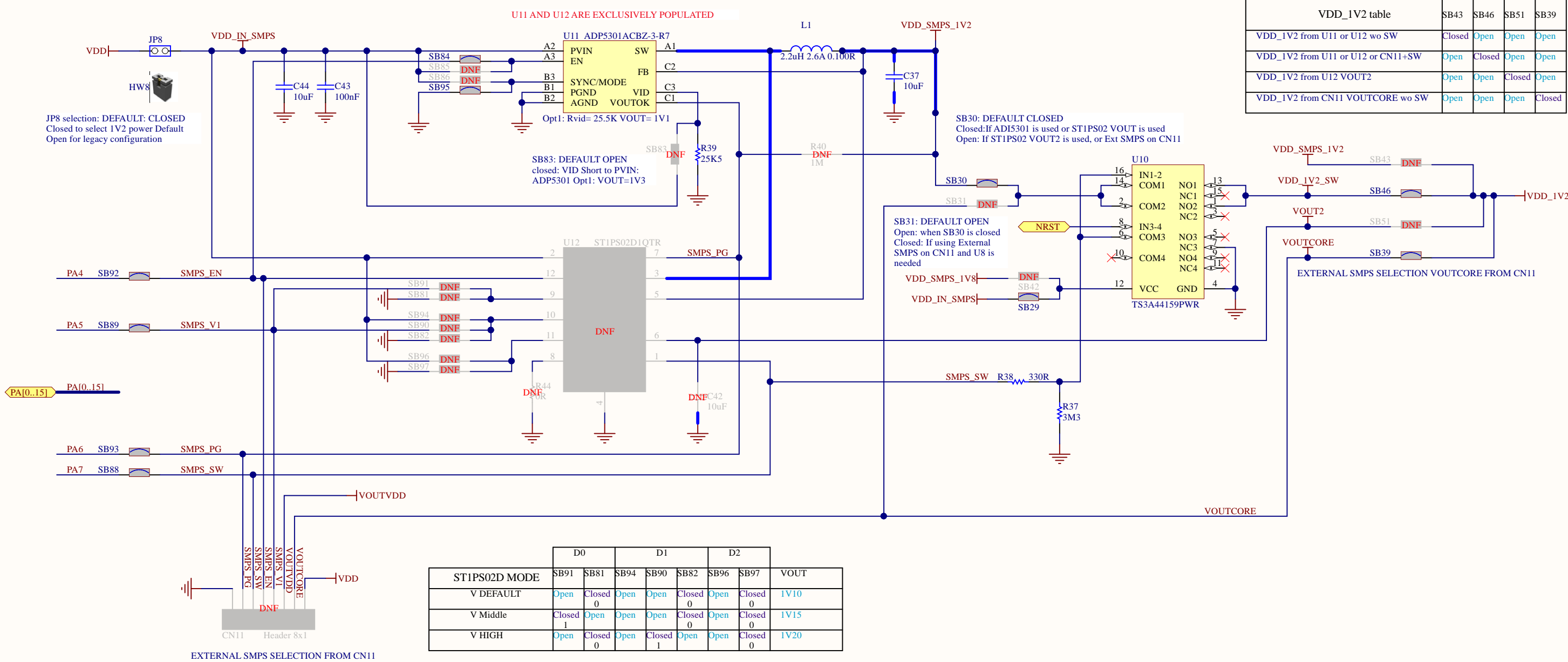
3V3 PWR



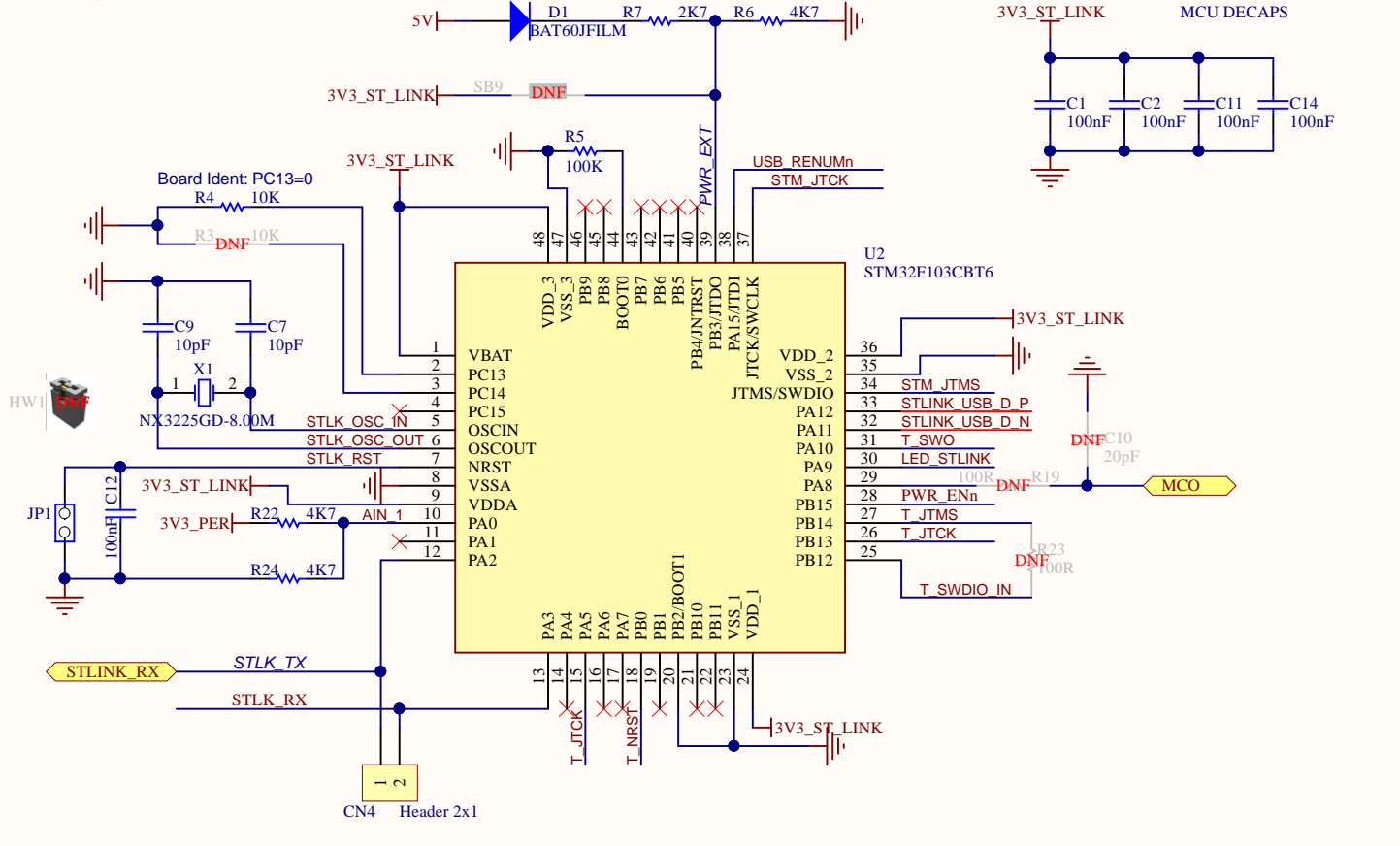
VDD_MCU_SELECTION



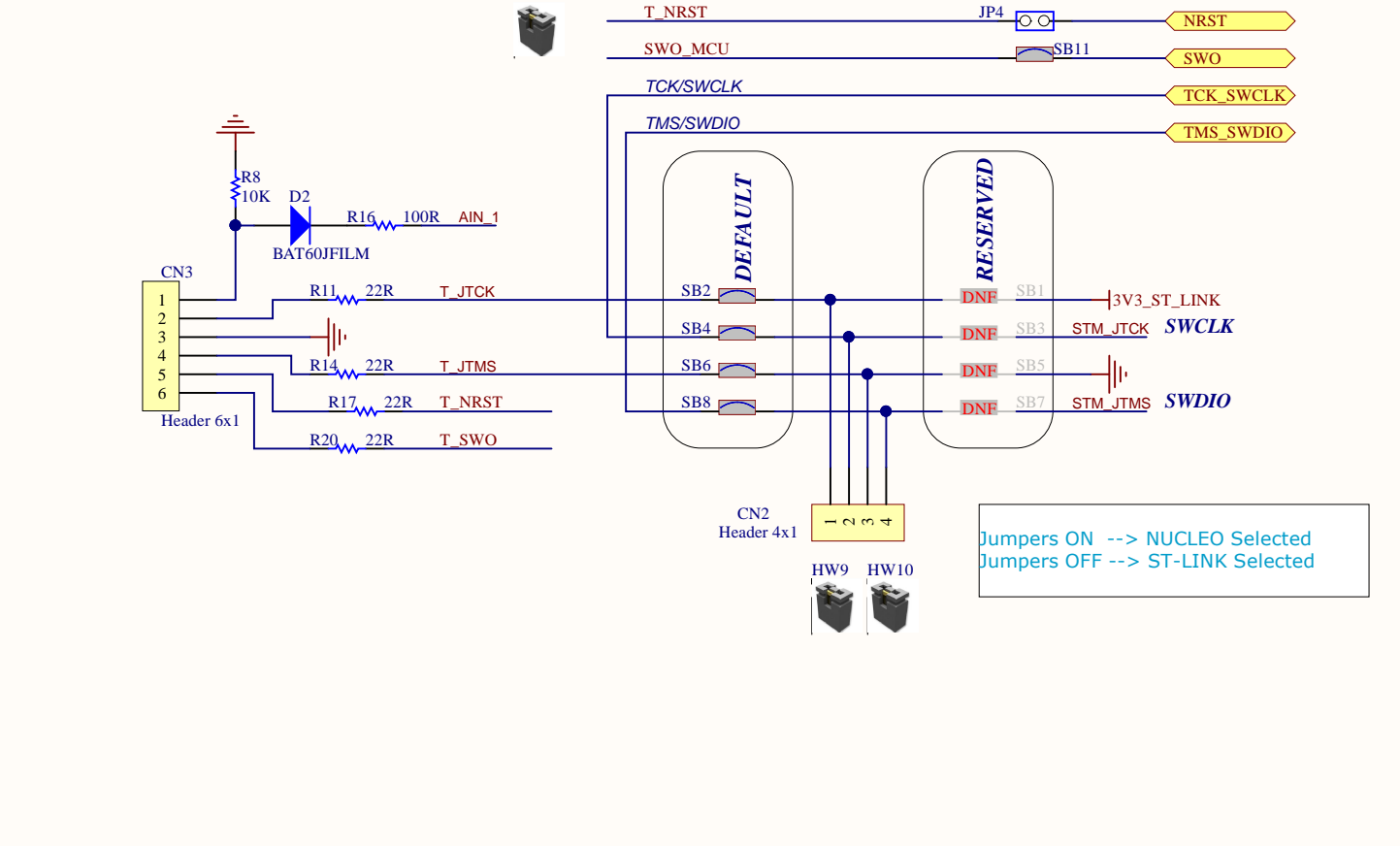
SMPS SELECTION, VDD_1V2
 Comment on this part are for Ext 1V2 SMPS configuration



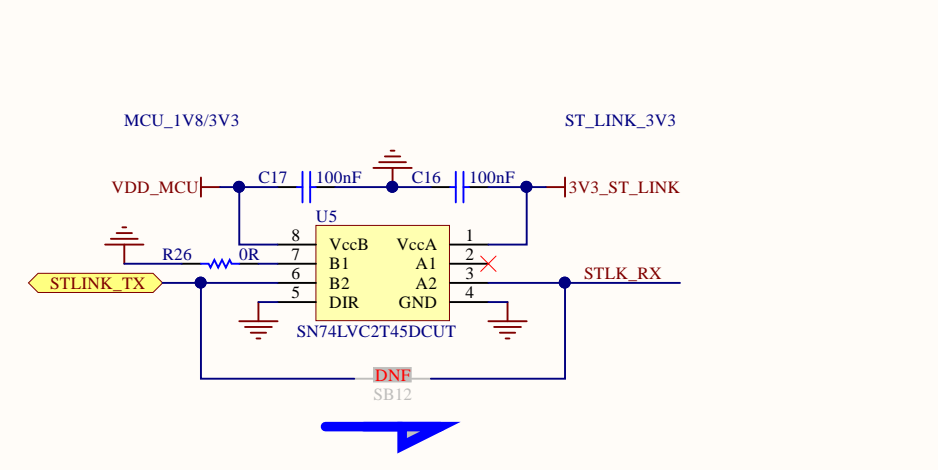
STLINK_MCU



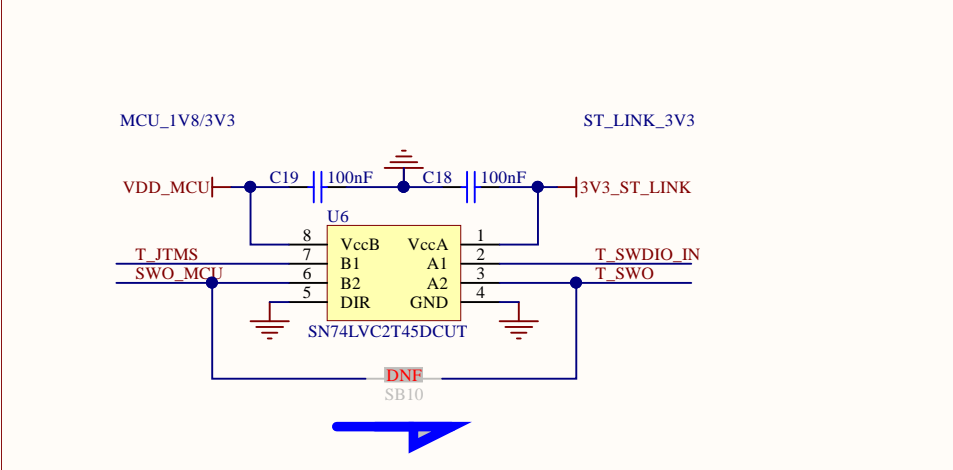
SWD INTERFACE



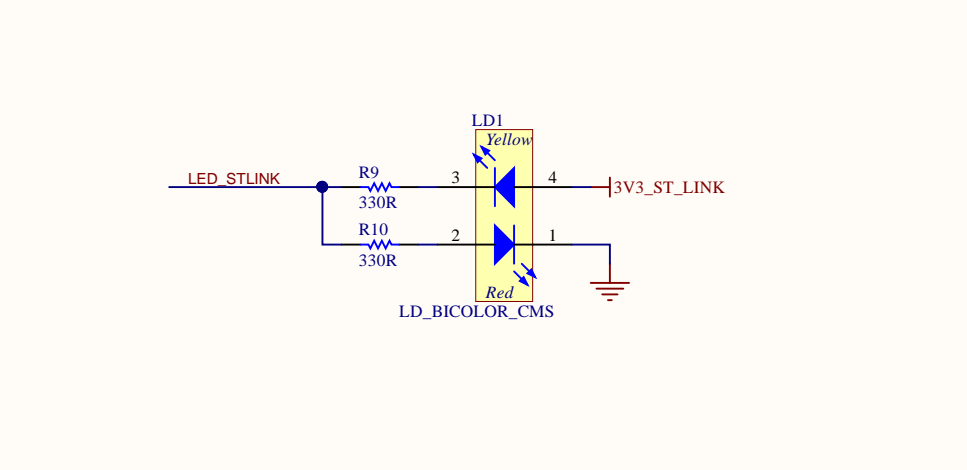
UART_TX LEVEL SHIFTER for MCU_1V8



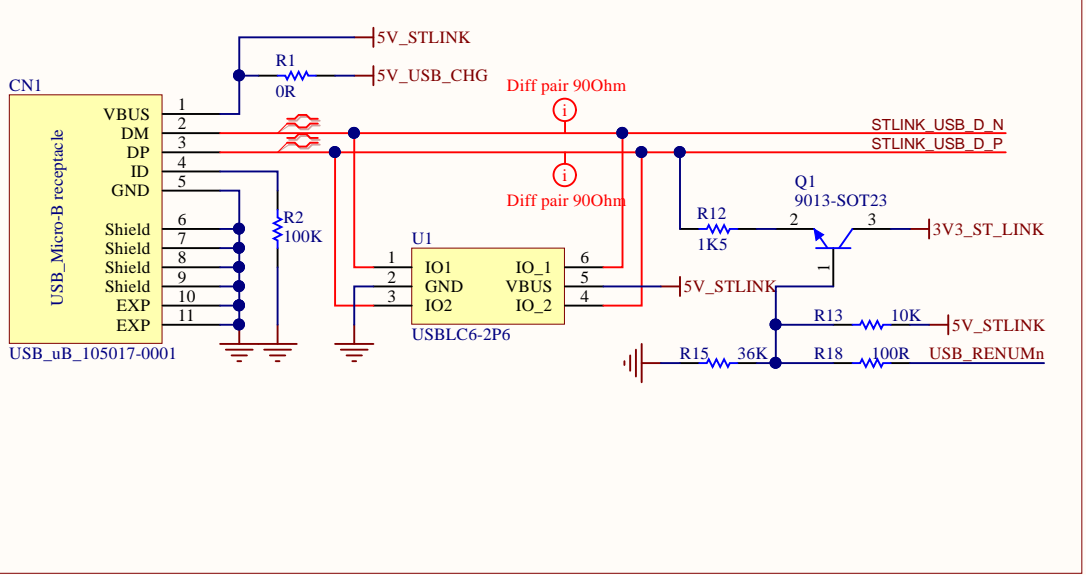
SW LEVEL SHIFTER FOR MCU_1V8



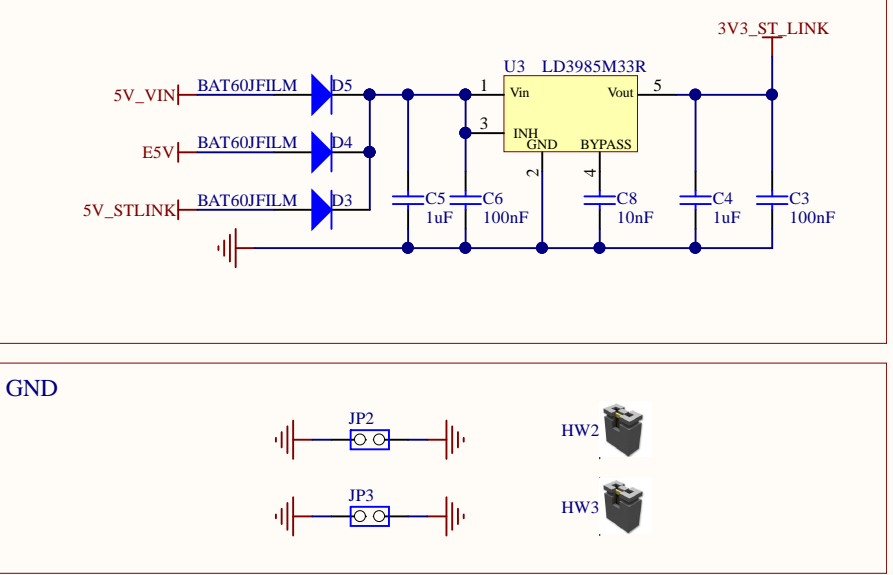
STLINK_LED: COM



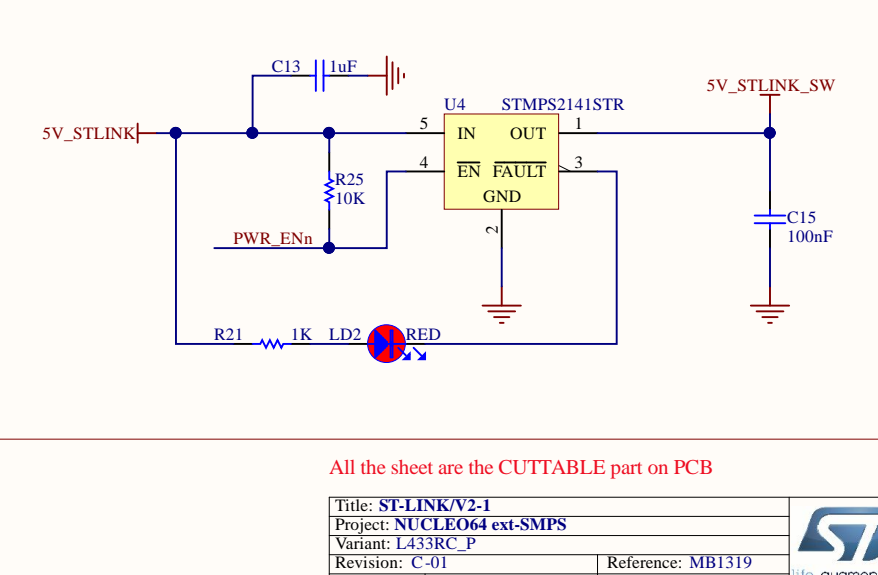
ST-LINK USB CONNECTOR



ST-LINK POWER 3V3 / 150mA



USB 5V POWER SWITCH: 5V / 500mA



All the sheet are the CUTTABLE part on PCB