

STM32WL3 - QFN48 - 4-Layers - External PA

MB2158

Table of contents

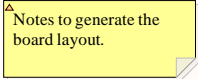
- Sheet 1: Project overview (this page)
- Sheet 2: Top
- Sheet 3: STM32 microcontroller I/Os
- Sheet 4: Supply
- Sheet 5 : RF front-end
- Sheet 6 : FEM module

Legend

General comment such as function title, configuration, ...

Text to be added to silkscreen.

Warning text.



Open Platform License Agreement

The Open Platform License Agreement (“Agreement”) is a binding legal contract between you (“You”) and STMicroelectronics International N.V. (“ST”), a company incorporated under the laws of the Netherlands acting for the purpose of this Agreement through its Swiss branch 39, Chemin du Champ des Filles, 1228 Plan-les-Ouates, Geneva, Switzerland.

By using the enclosed reference designs, schematics, PC board layouts, and documentation, in hardcopy or CAD tool file format (collectively, the “Reference Material”), You are agreeing to be bound by the terms and conditions of this Agreement. Do not use the Reference Material until You have read and agreed to this Agreement terms and conditions. The use of the Reference Material automatically implies the acceptance of the Agreement terms and conditions.

The complete Open Platform License Agreement can be found on www.st.com/opla.

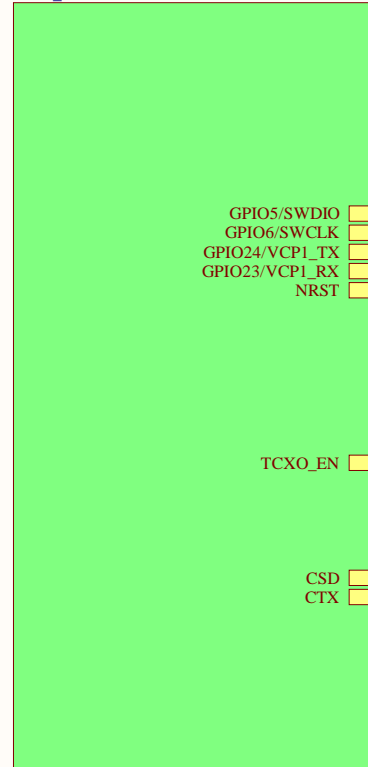
U_Top
Top.SchDoc



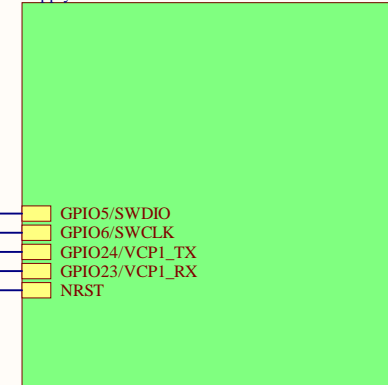
Title: Project Overview		
Project: STM32WL3 - QFN48 - 4-Layers - External PA		
Variant: 169_27dBm		
Revision: A-02	Reference: MB2158	
Size: A4	Date: 12/02/2024	Sheet: 1 of 6



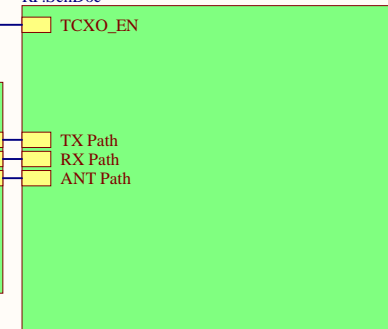
Designator
MCU_IOs.SchDoc



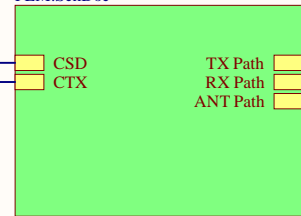
Designator
Supply.SchDoc

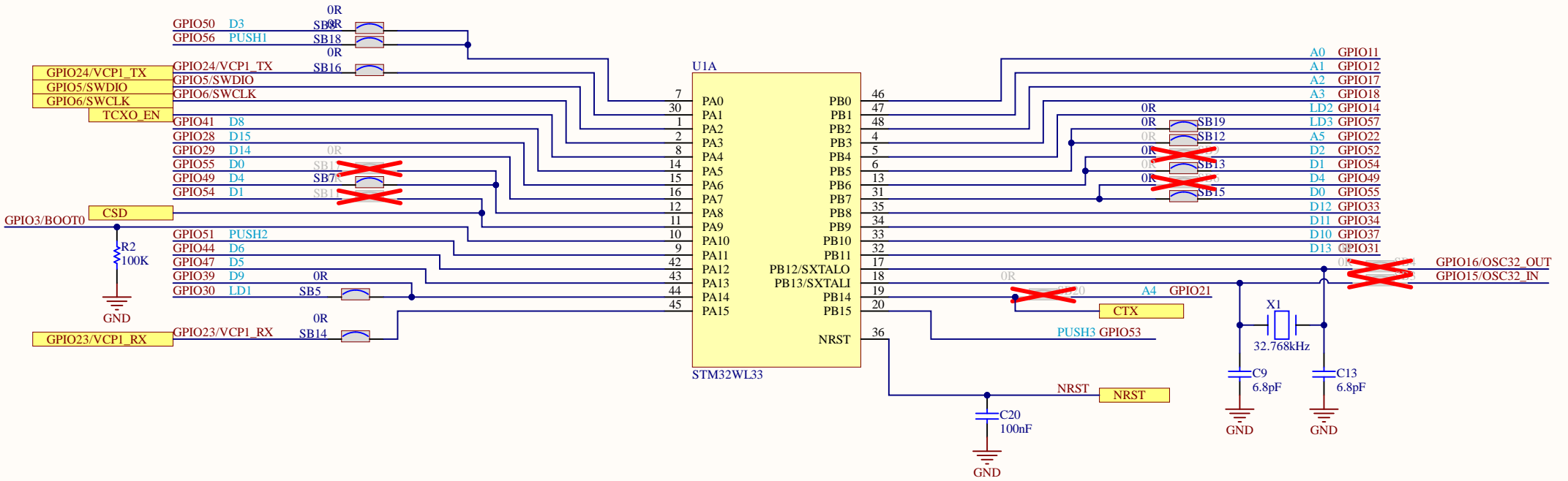
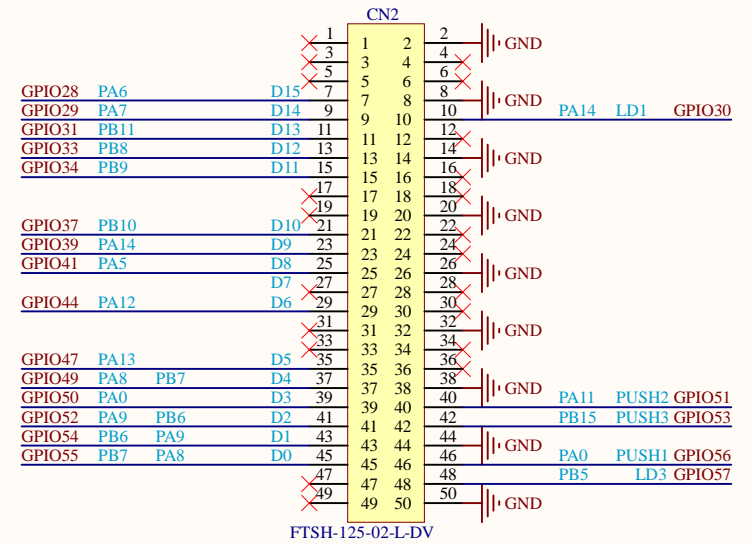
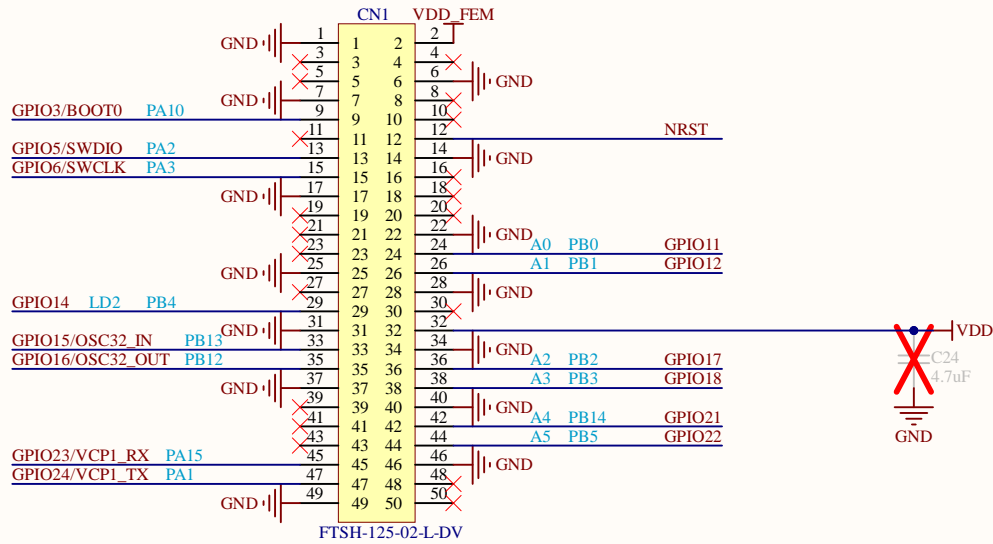


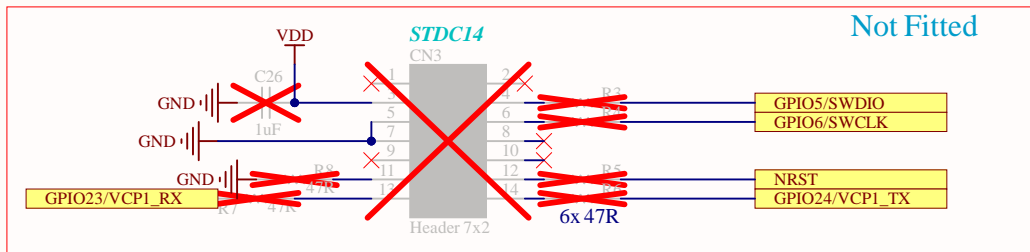
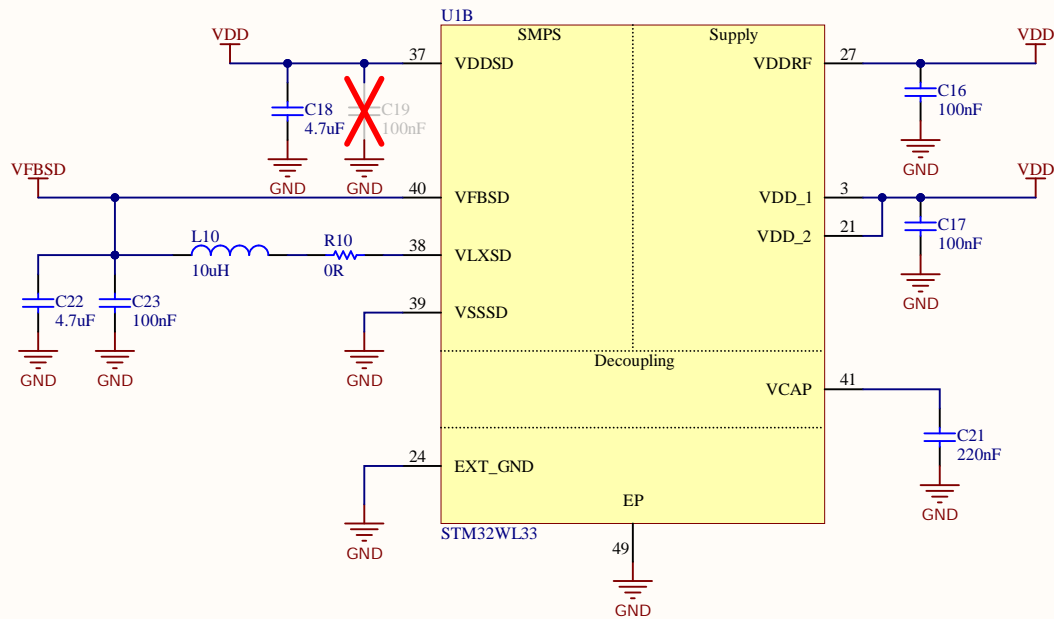
Designator
RF.SchDoc

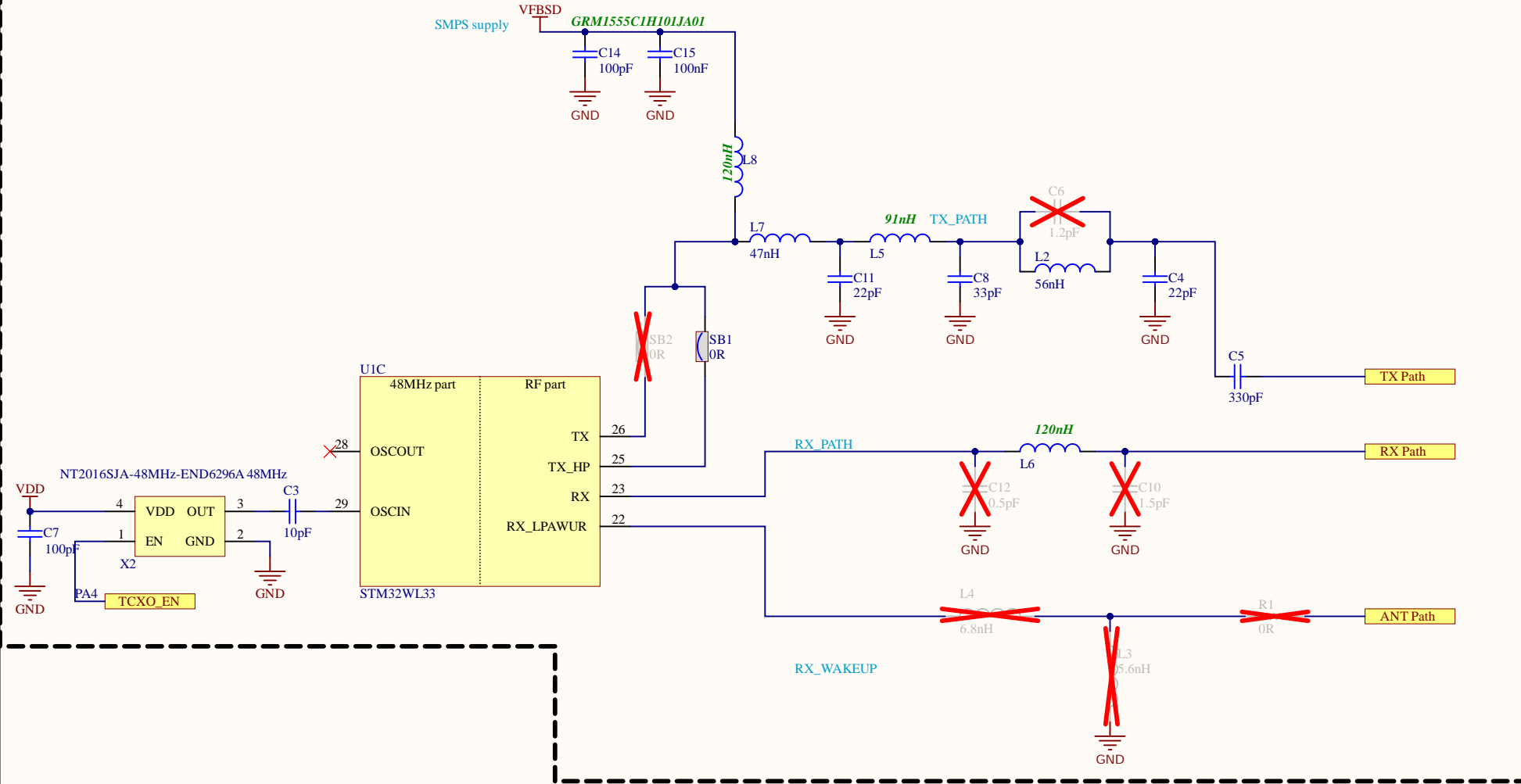


U_FEM
FEM.SchDoc

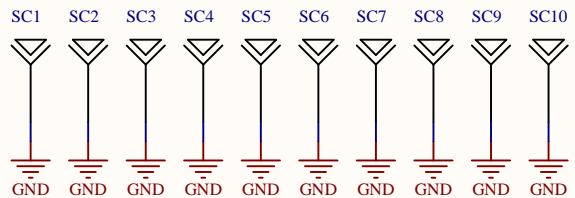
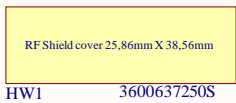
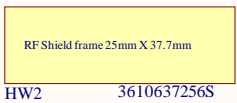




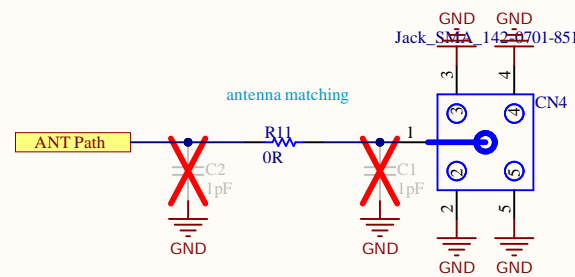




Socket for Metallic Shield



straight clips



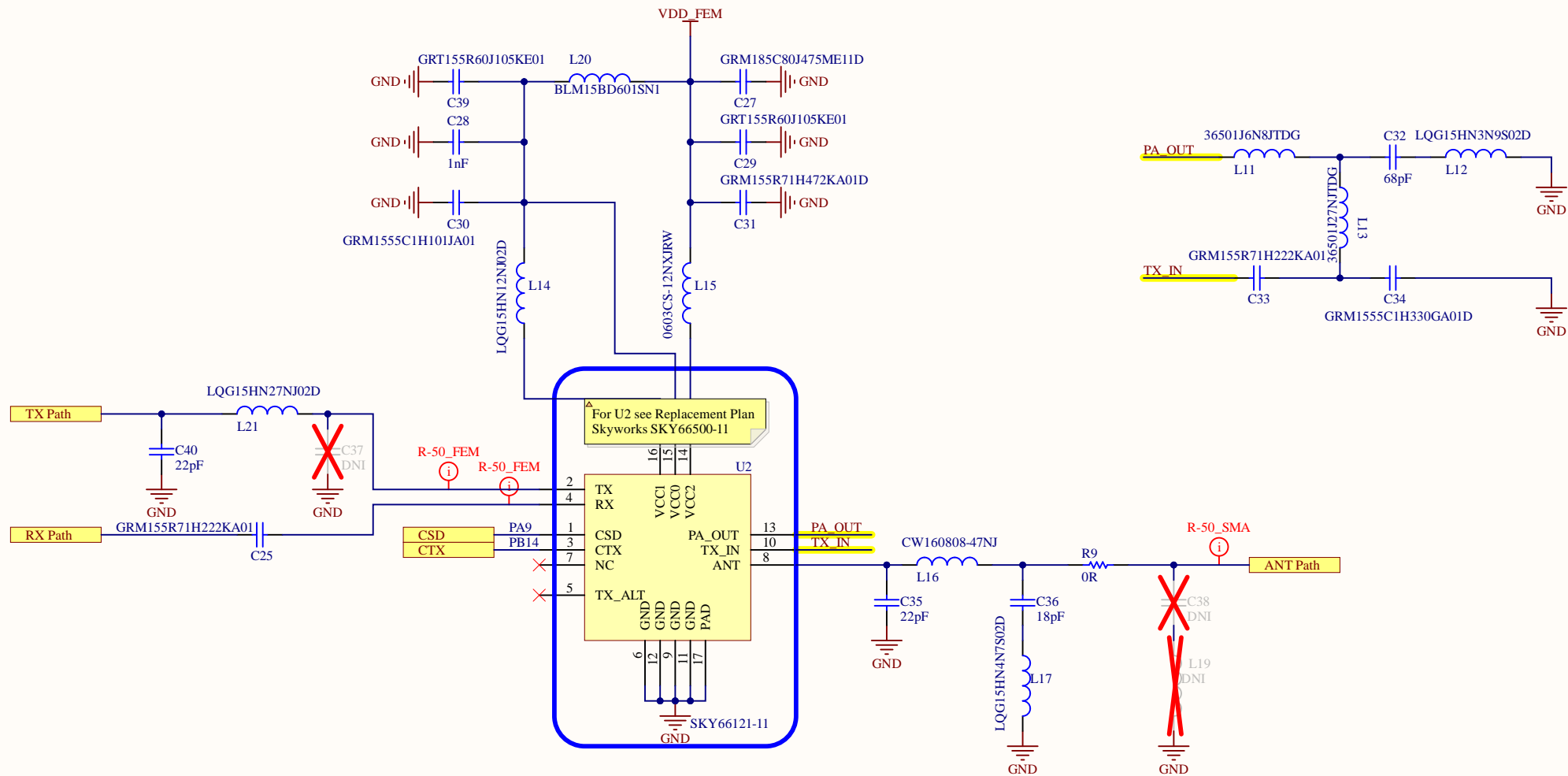


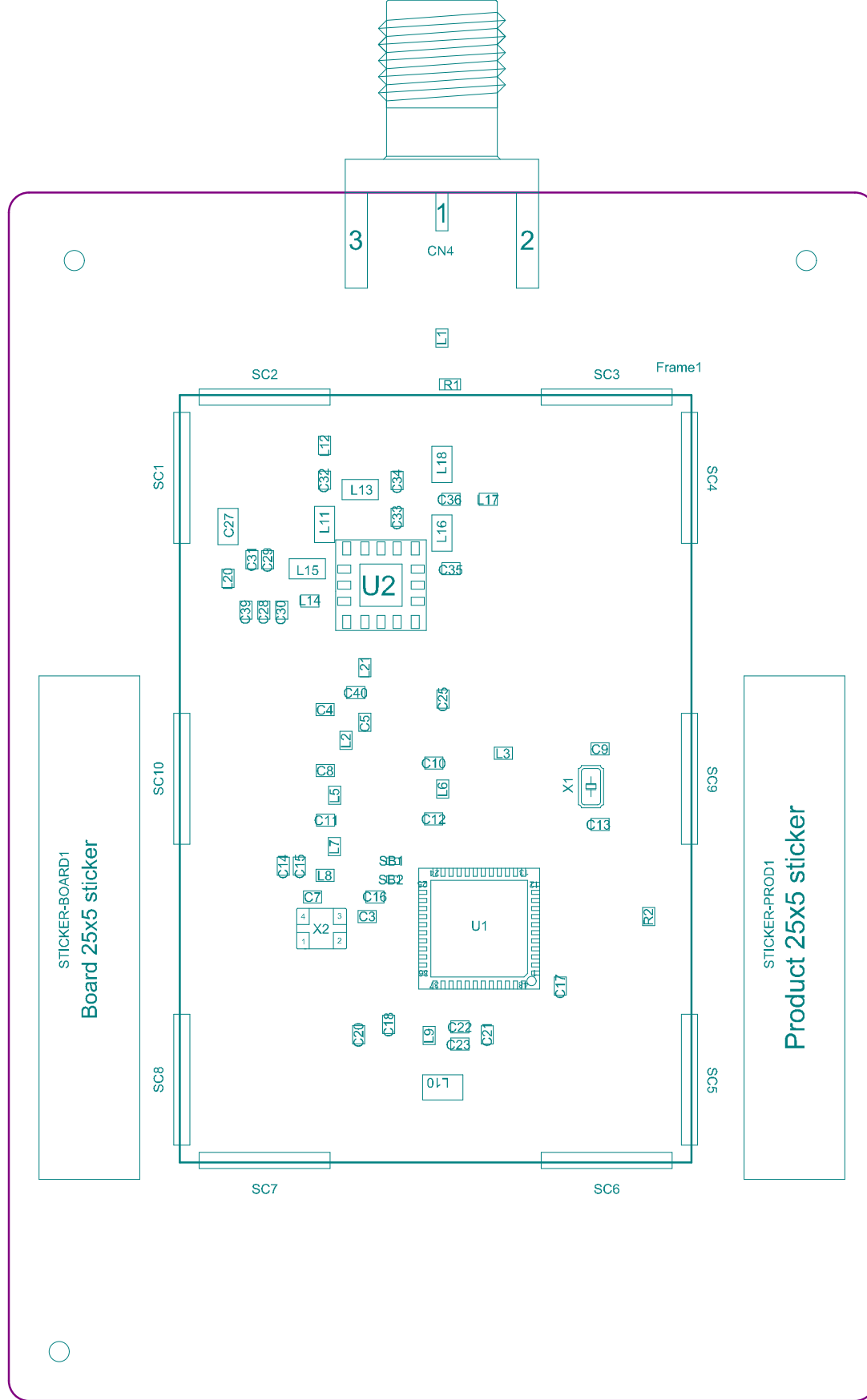
Table 8. SKY66121-11 Mode Control Logic¹

Mode	RF Signal Path (Pin → Pin)	CSD (Pin 1)	CTX (Pin 3)
Sleep	(Note 2)	0	X
Receive	ANT → RX	1	0
Transmit	TX → PA_OUT and TX_IN → ANT	1	1

¹ "1" = 1.6 to Vcc, "0" = 0 to 0.7 V, "X" = don't care.

² All I/O are disconnected from internal components.





Project: STM32WL3 - QFN48 - 4-Layers - External PA

Layer: M14-Top Assembly

Gerber: .GM14

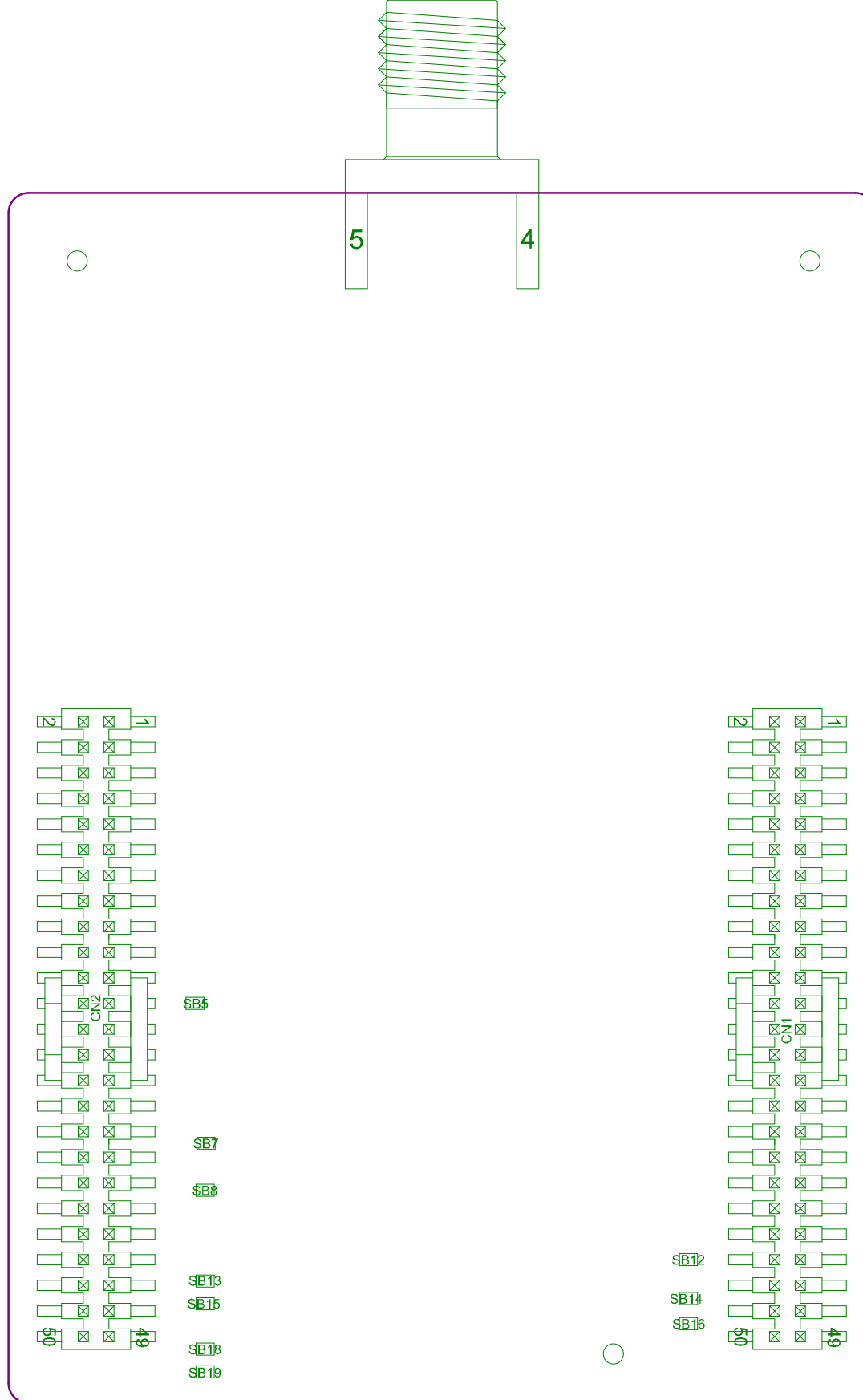
Variant: 169_27dBm


Ref: MB2158

Date: 12/02/2024

Rev: A





Project: STM32WL3 - QFN48 - 4-Layers - External PA		
Layer: M15-Bottom Assembly	Gerber:.GM15	
Variant: 169_27dBm	Ref: MB2158	
Date: 12/02/2024	Rev: A	

