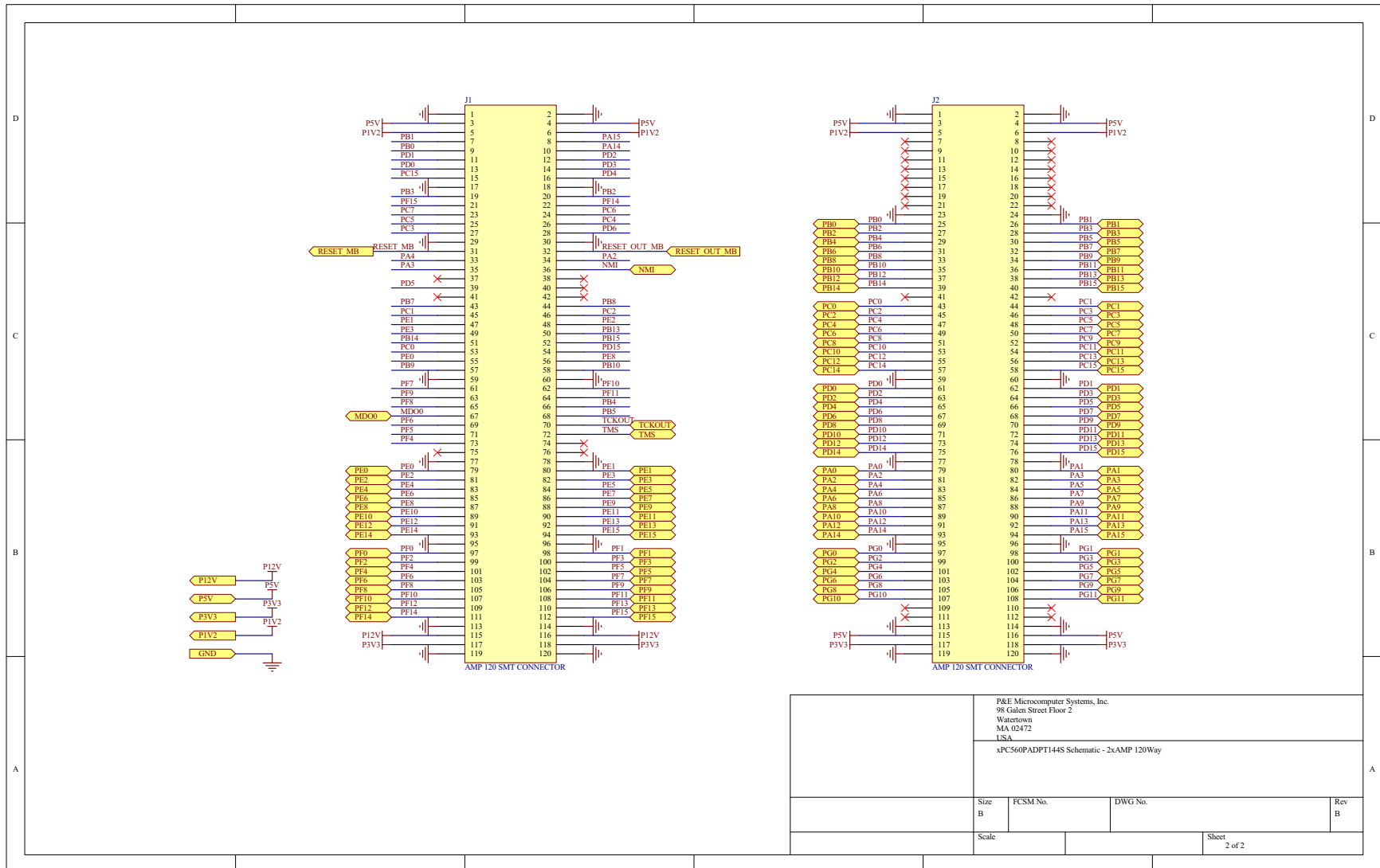


8086 Microprocessor System, Inc. 8086-1000-1000 8086-1000-1000 8086-1000-1000			
DATE	DESIGNER	CHECKER	DATE



P&E Microcomputer Systems, Inc.
 98 Galen Street Floor 2
 Watertown
 MA 02472
 USA

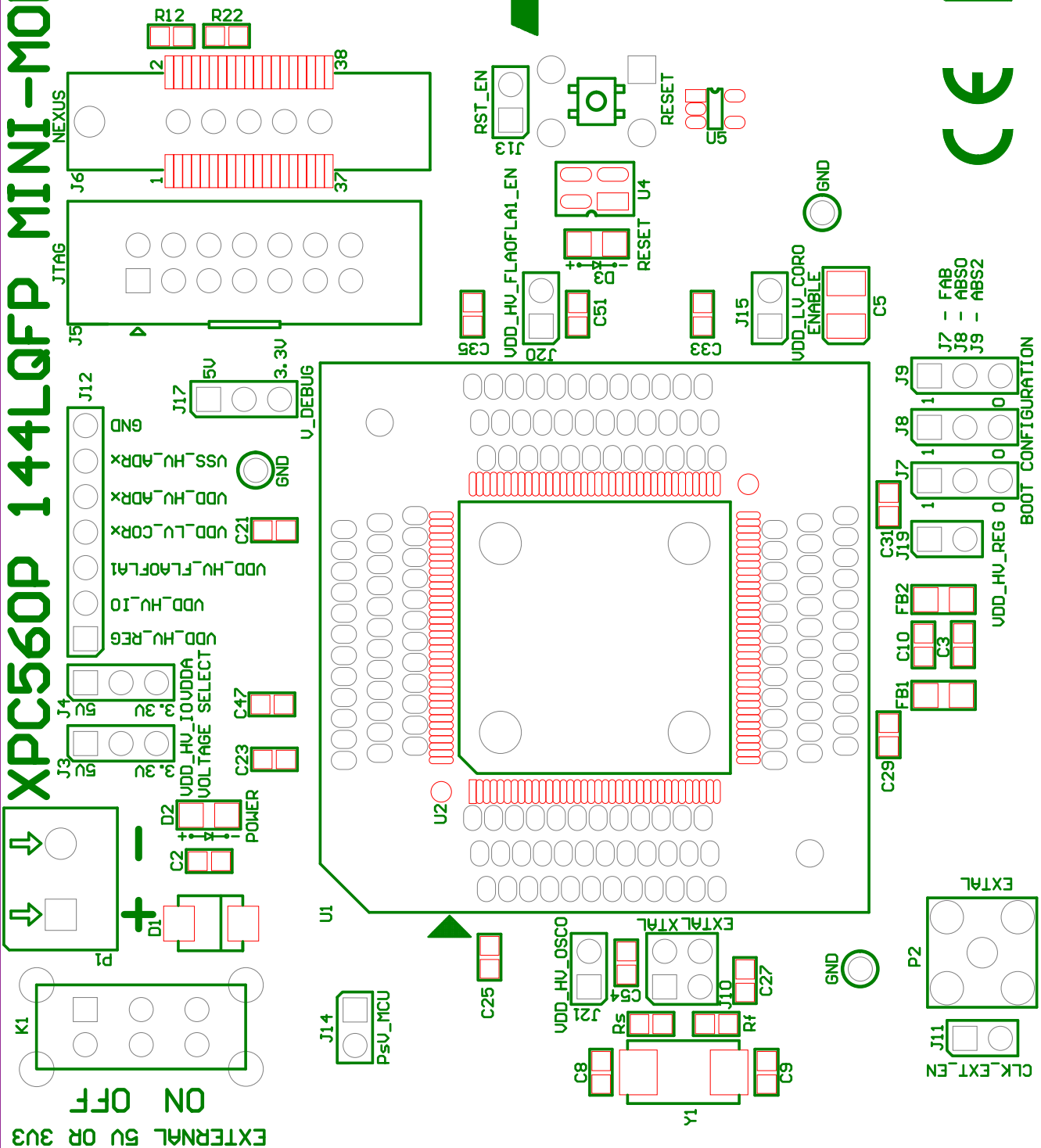
xPC560PADPT144S Schematic - 2xAMP 120Way

Size B	FCSM No.	DWG No.	Rev B
Scale		Sheet 2 of 2	

XPC560P 144LQFP MINI-MODULE

Rev. B

EXTERNAL 5V OR 3V3
ON OFF



J7 - FAB
J8 - ABS0
J9 - ABS2

BOOT CONFIGURATION

