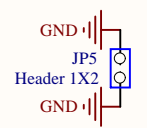


FTDI

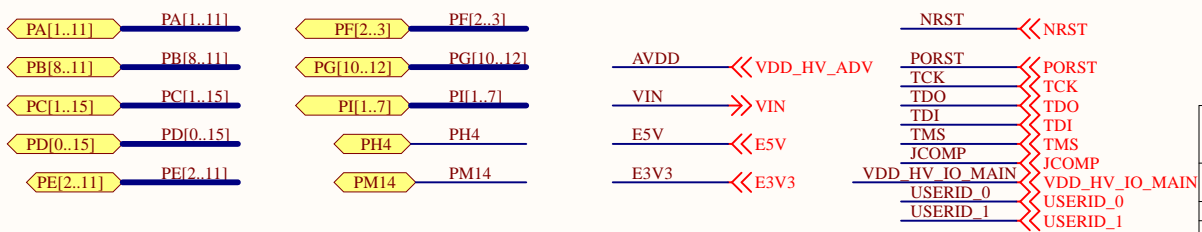
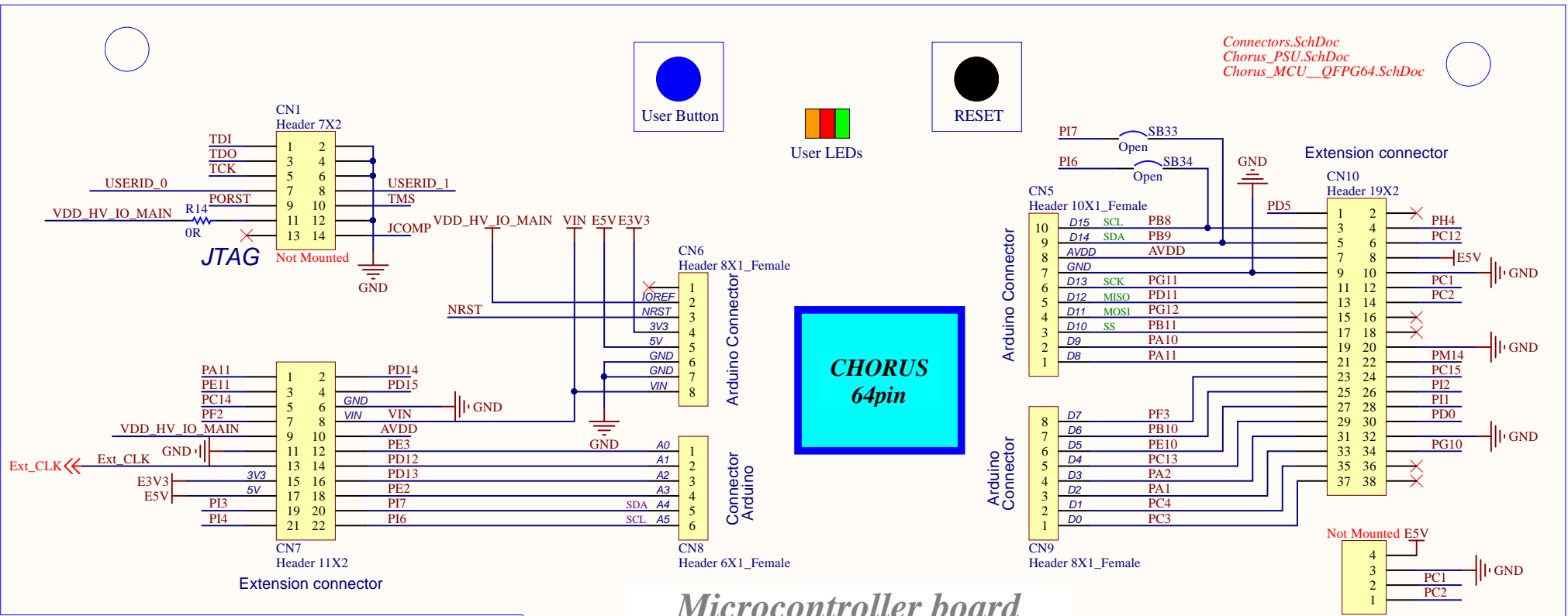
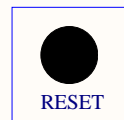
USB



USB section (PLS)_B.SchDoc

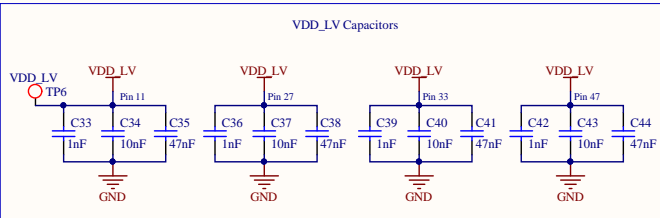
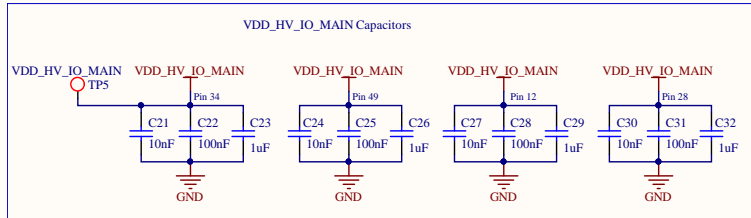
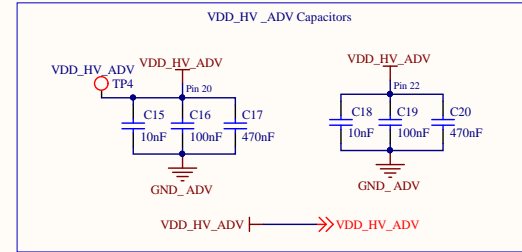
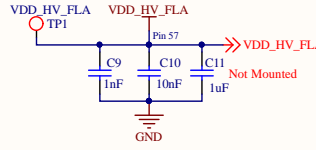
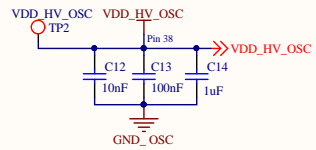
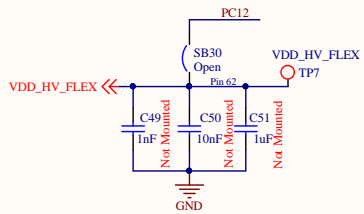
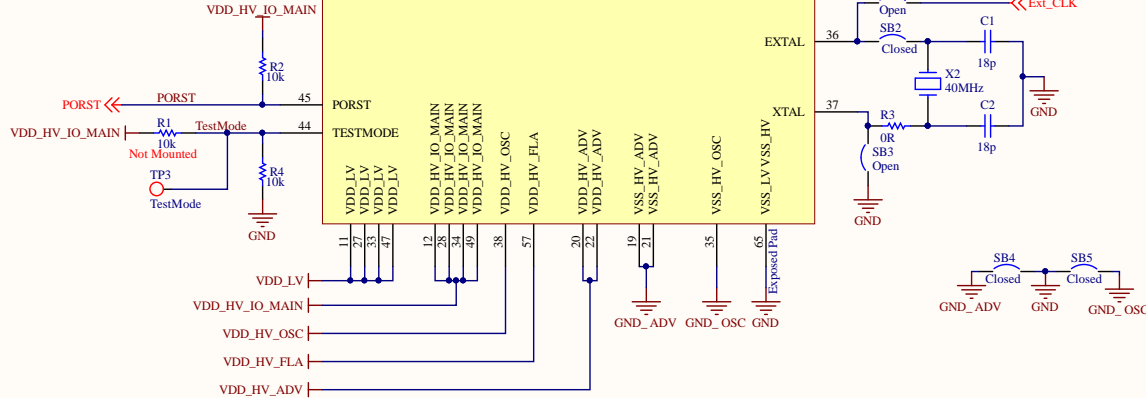
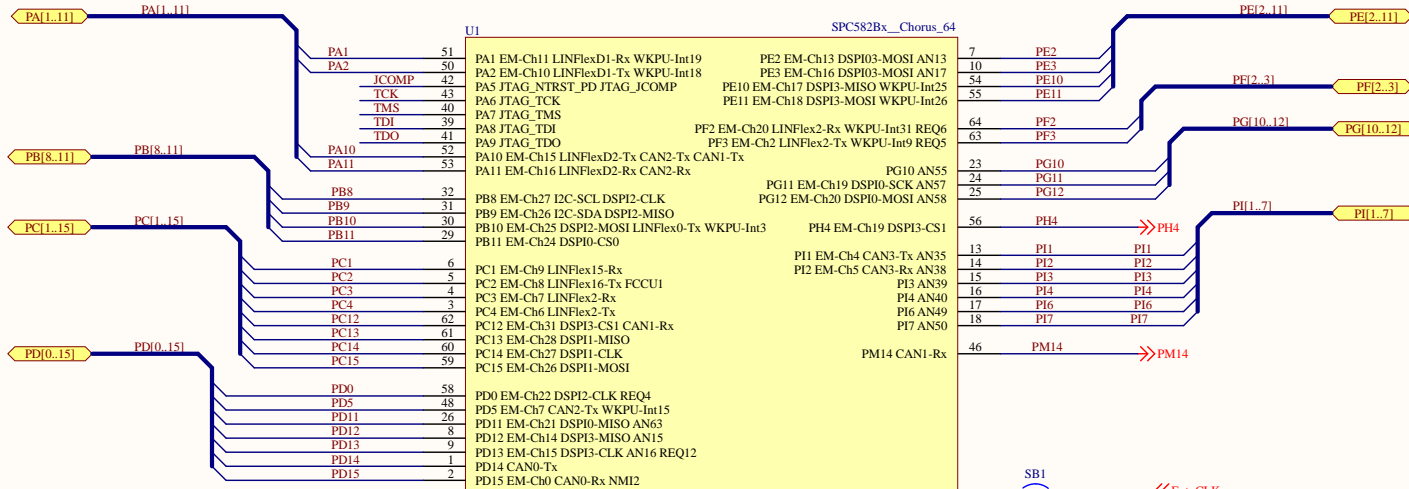
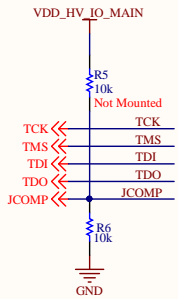
Programmer - Debugger board

Connectors.SchDoc
Chorus_PSU.SchDoc
Chorus_MCU__QFPG64.SchDoc

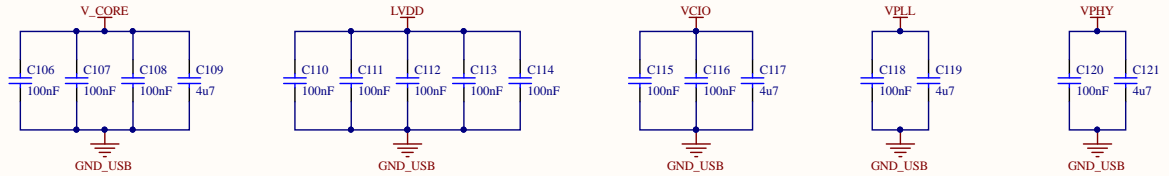
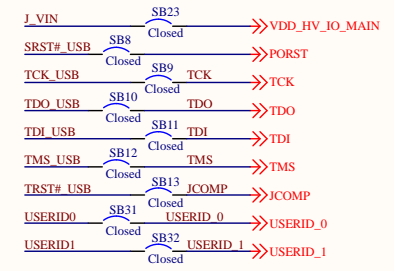
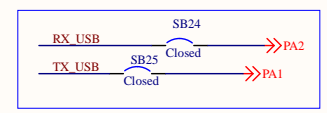
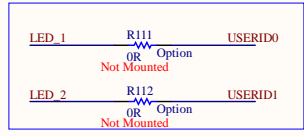
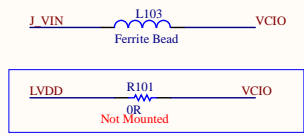
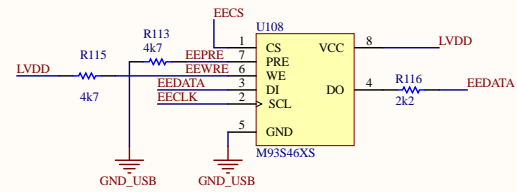
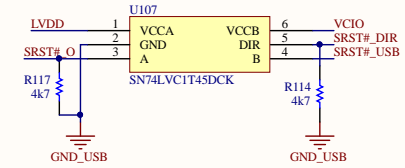
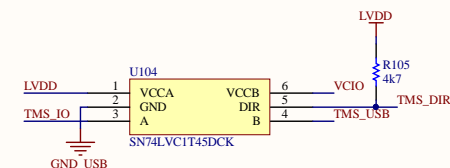
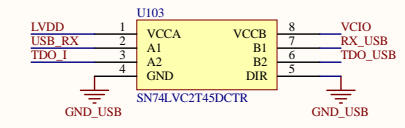
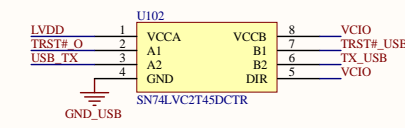
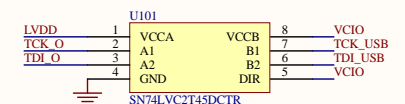
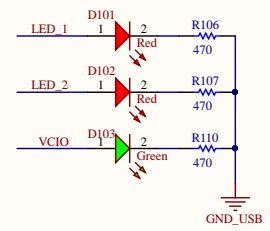
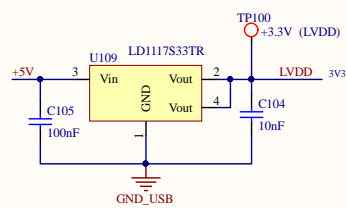
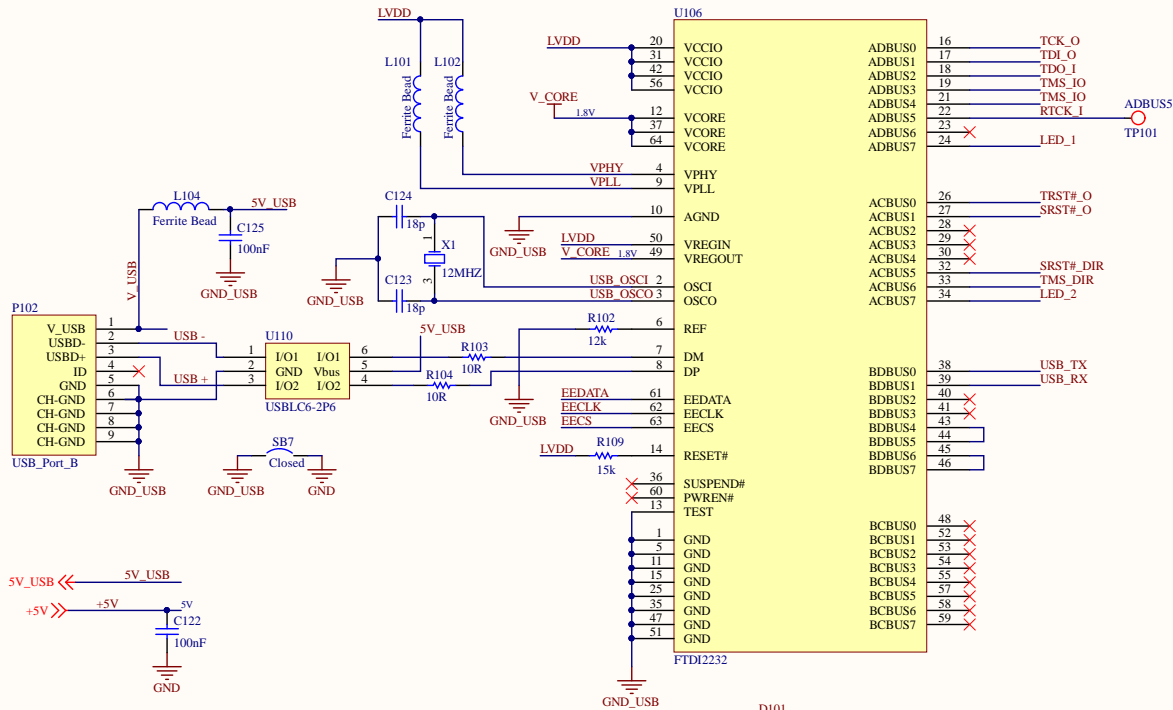


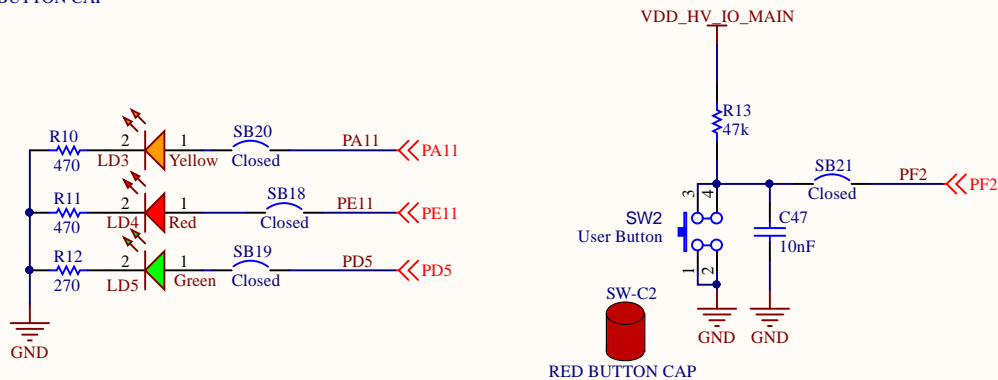
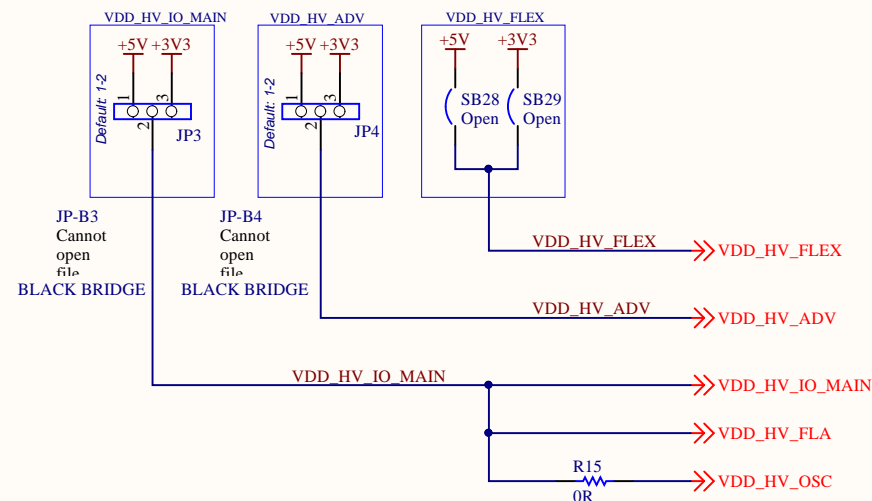
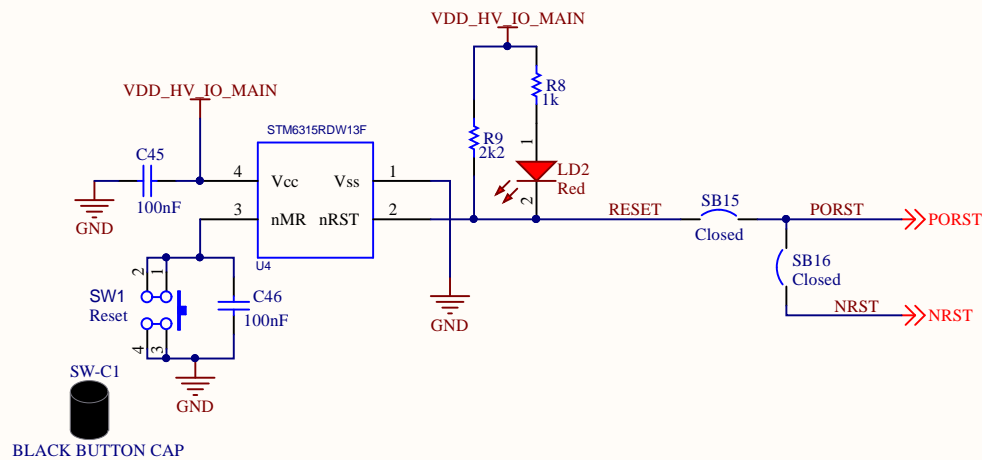
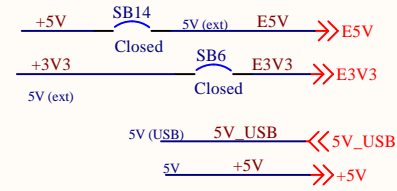
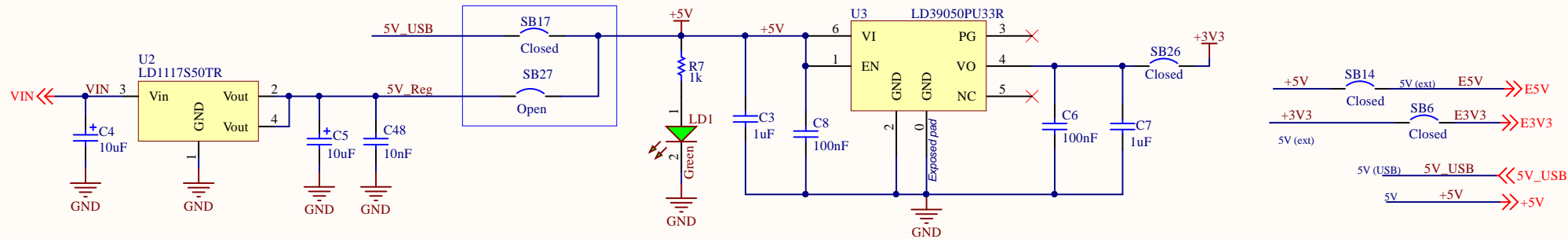
Title SPC582B-DIS Connector			STMicroelectronics srl ADG - Automotive and Discrete Group Via C. Olivetti, 2 20864 Agrate B.za (MB) Italy	
Size: A4	Number: *	Revision: 1,2		
Date: 08-ott-2019	Time: 14:16:20	Sheet 1 of 4		
File: Connectors.SchDoc				






Title SPCS82B-DIS Connector			STMicroelectronics srl ADG - Automotive and Discrete Group Via C. Olivetti, 2 20864 Agrate B.za (MB) Italy		 life.augmented
Size: A3	Number: *	Revision: 1.2			
Date: 08-ott-2019	Time: 14:16:21	Sheet 2 of 4			
File: Chorus_MCU_QFP64_SchDoc					





Title SPC582B-DIS: PSU			STMicroelectronics srl ADG - Automotive and Discrete Group Via C. Olivetti, 2 20864 Agrate B.za (MB) Italy		 life.augmented
Size: A4	Number: *	Revision: 1,2			
Date: 08-ott-2019	Time: 14:16:21	Sheet 4 of 4			
File: Chorus_PSU.SchDoc					