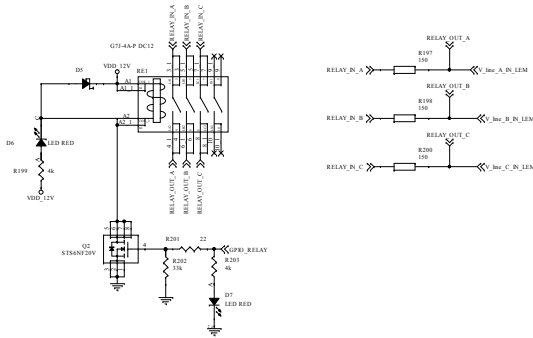


Schematic diagrams

Figure 1. STDES-BCBIDIR circuit schematic (1 of 18) - Power board

NRUSH RELAY SECTION



GRID RELAY DRIVING SECTION

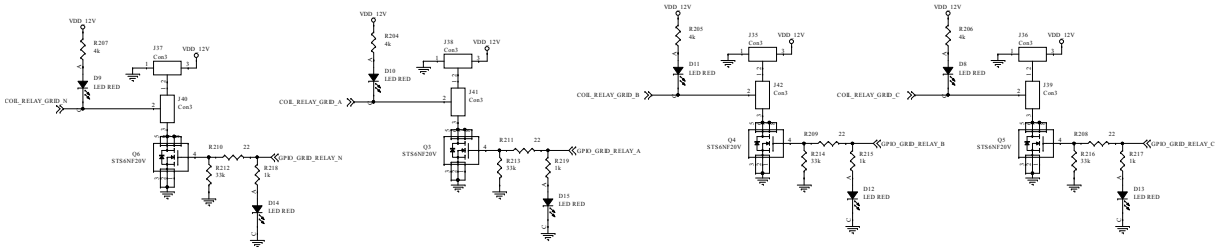


Figure 2. STDES-BCBIDIR circuit schematic (2 of 18) - Power board

POWER SECTION

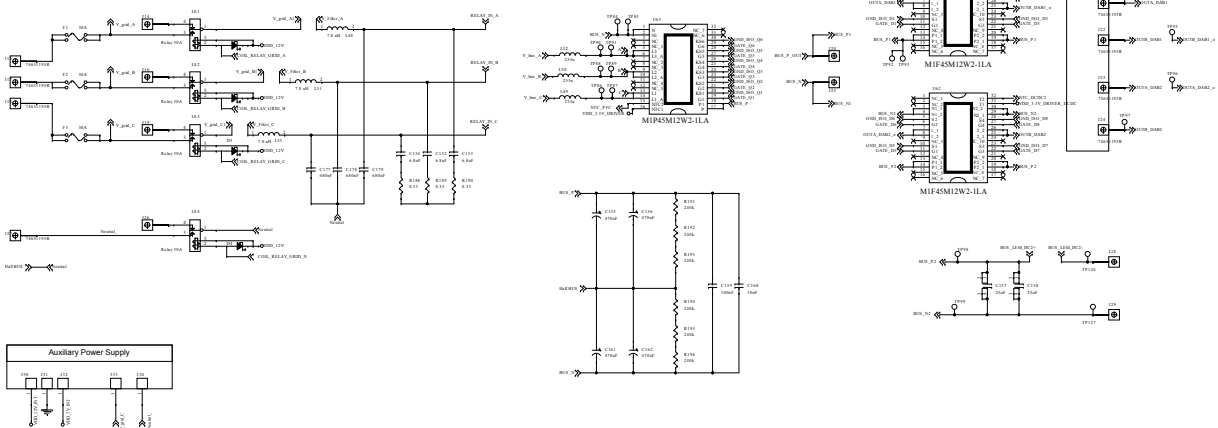


Figure 3. STDES-BCBIDIR circuit schematic (3 of 18) - Power board

LINE VOLTAGE SENSING

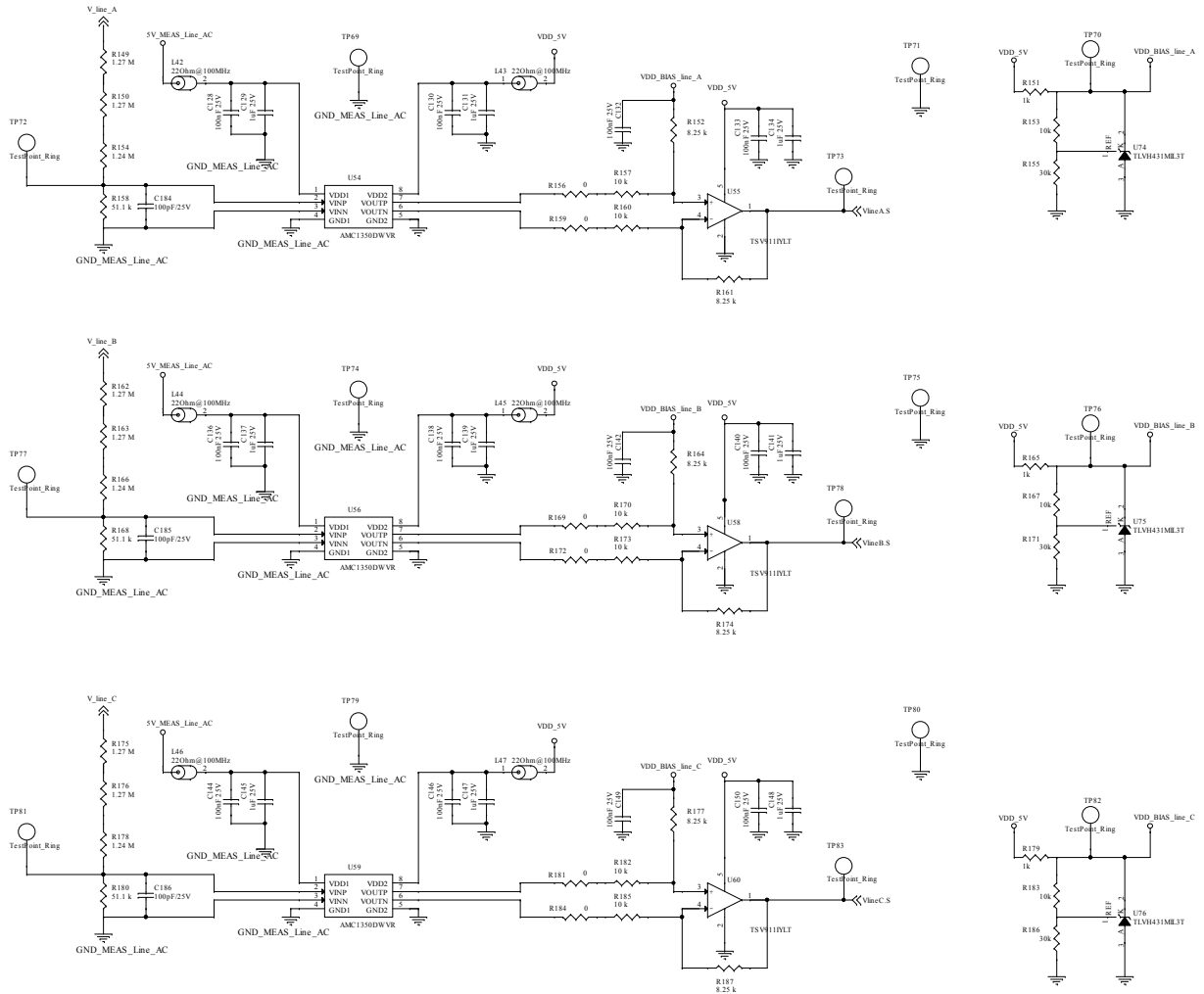


Figure 4. STDES-BCBIDIR circuit schematic (4 of 18) - Power board

GRID VOLTAGE SENSING

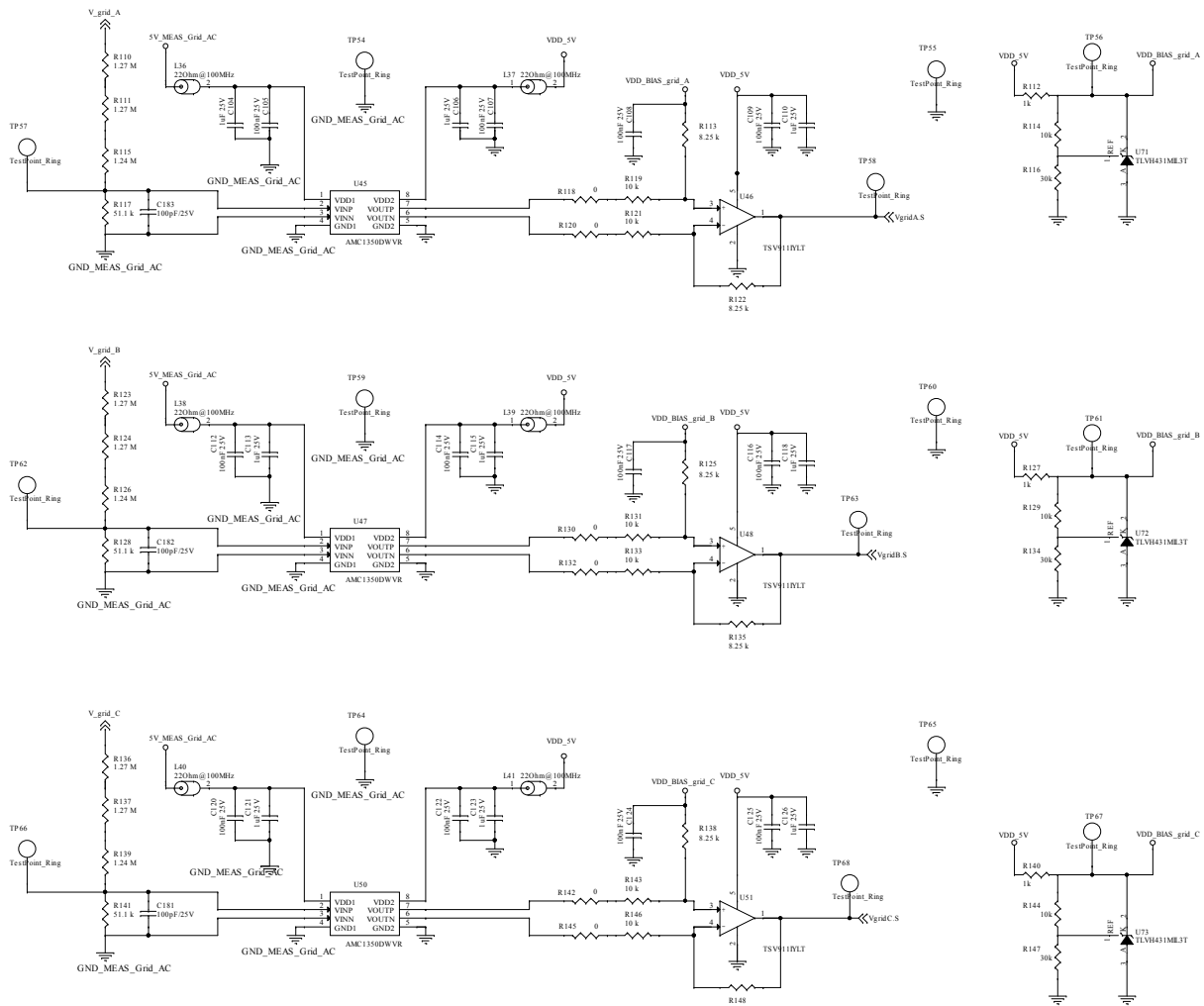


Figure 5. STDES-BCBIDIR circuit schematic (5 of 18) - Power board

GRID CURRENT SENSING

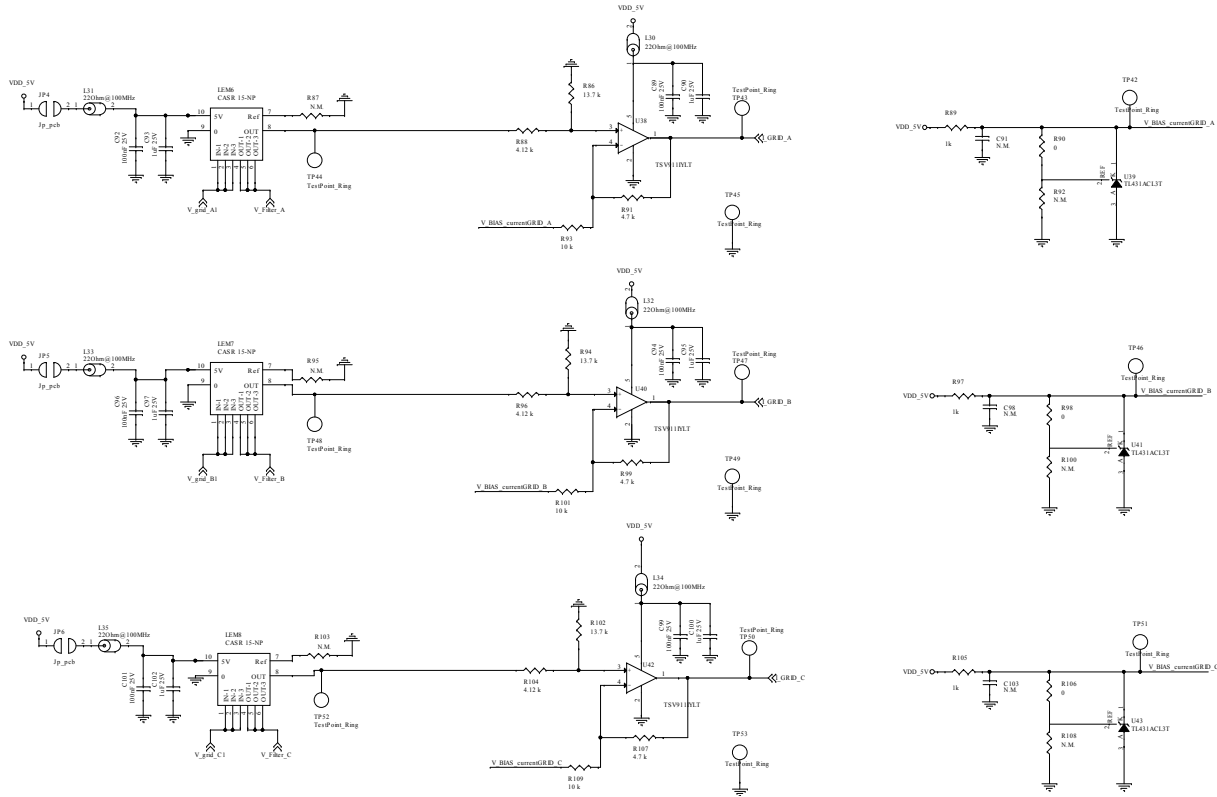
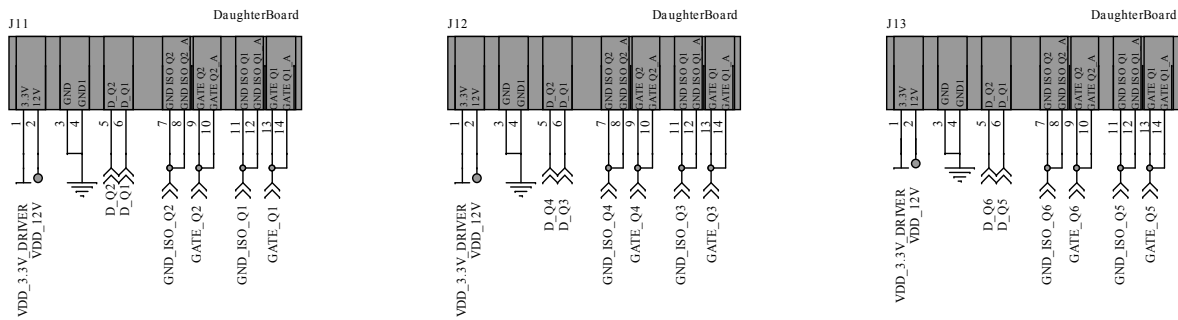


Figure 6. STDES-BCBIDIR circuit schematic (6 of 18) - Power board

DRIVER BOARD



PULLDOWN RESISTANCES

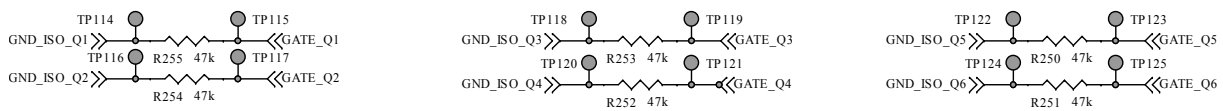


Figure 7. STDES-BCBIDIR circuit schematic (7 of 18) - Power board

PFC DC VOLTAGE SENSING

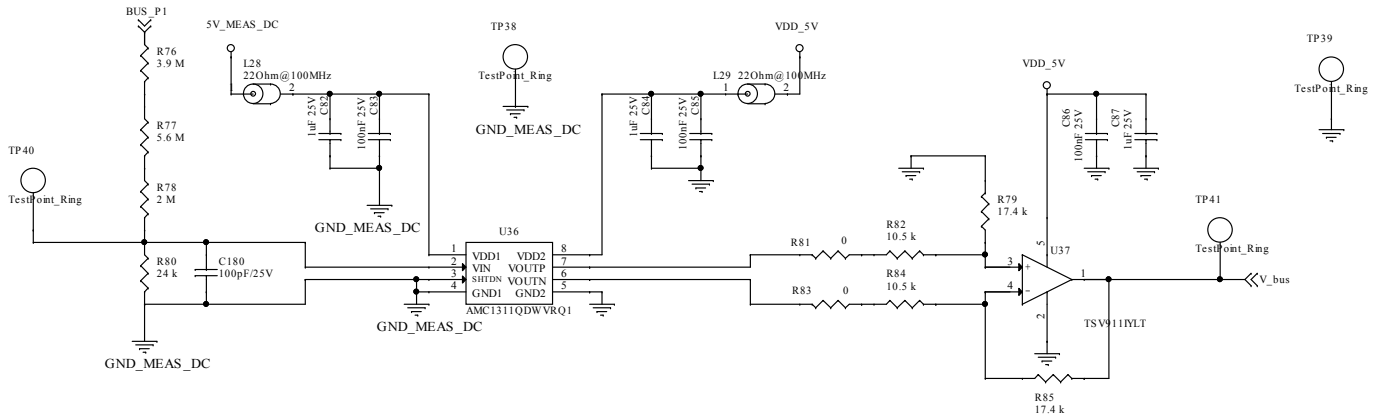


Figure 8. STDES-BCBIDIR circuit schematic (8 of 18) - Power board

PFC DC CURRENT SENSING

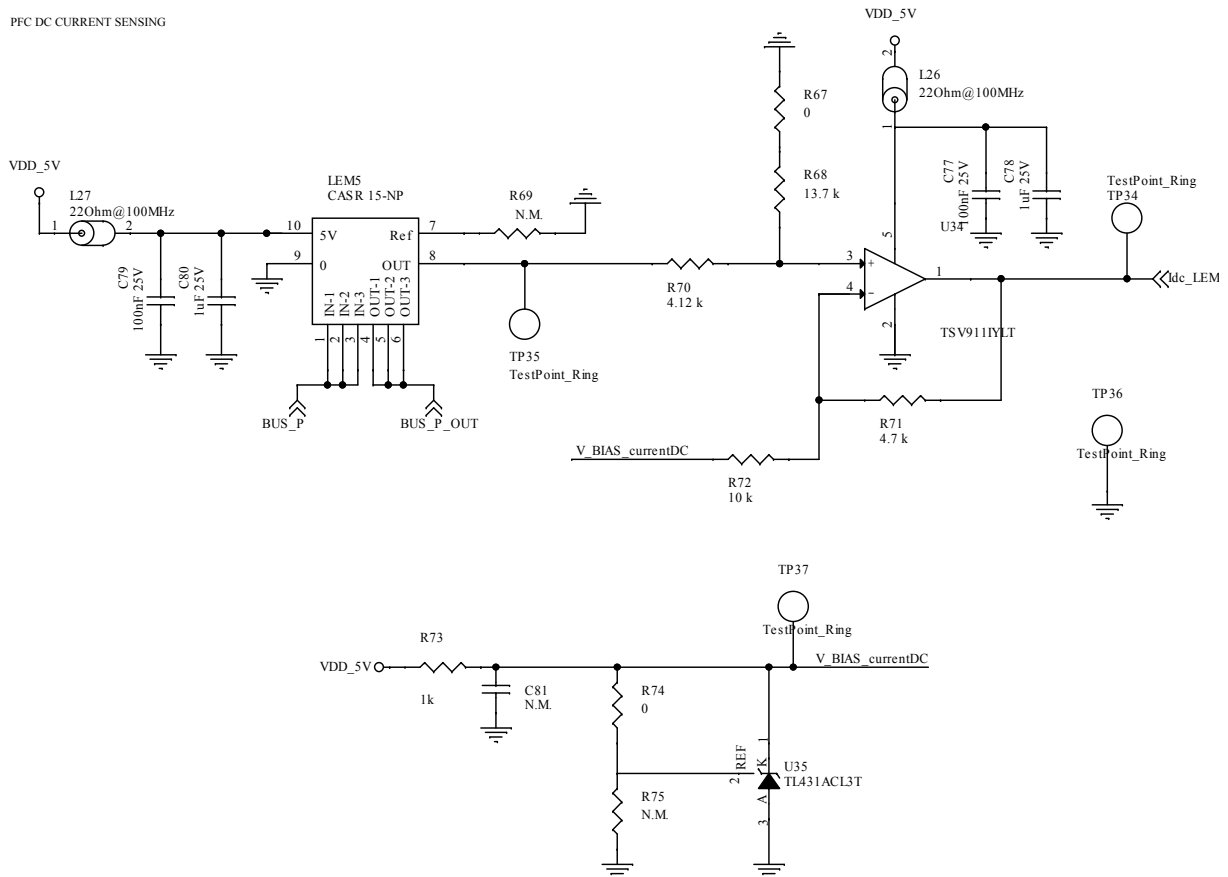


Figure 9. STDES-BCBIDIR circuit schematic (9 of 18) - Power board

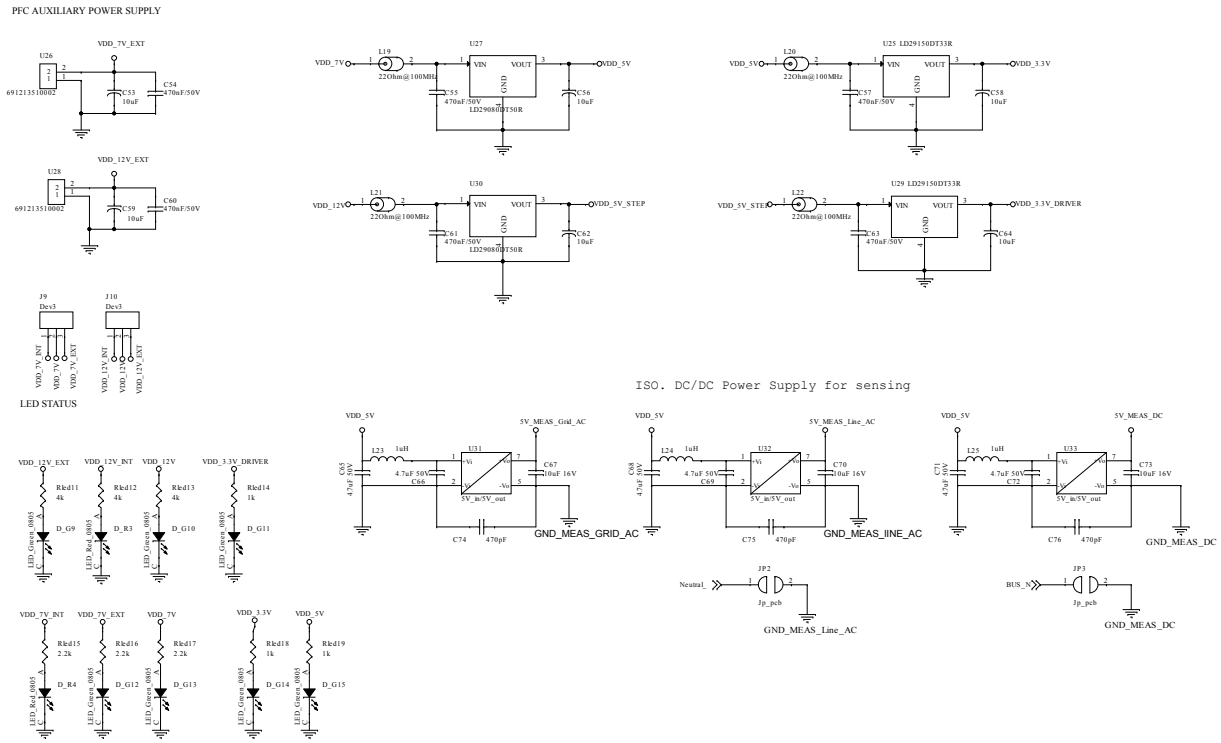


Figure 10. STDES-BCBIDIR circuit schematic (10 of 18) - Power board

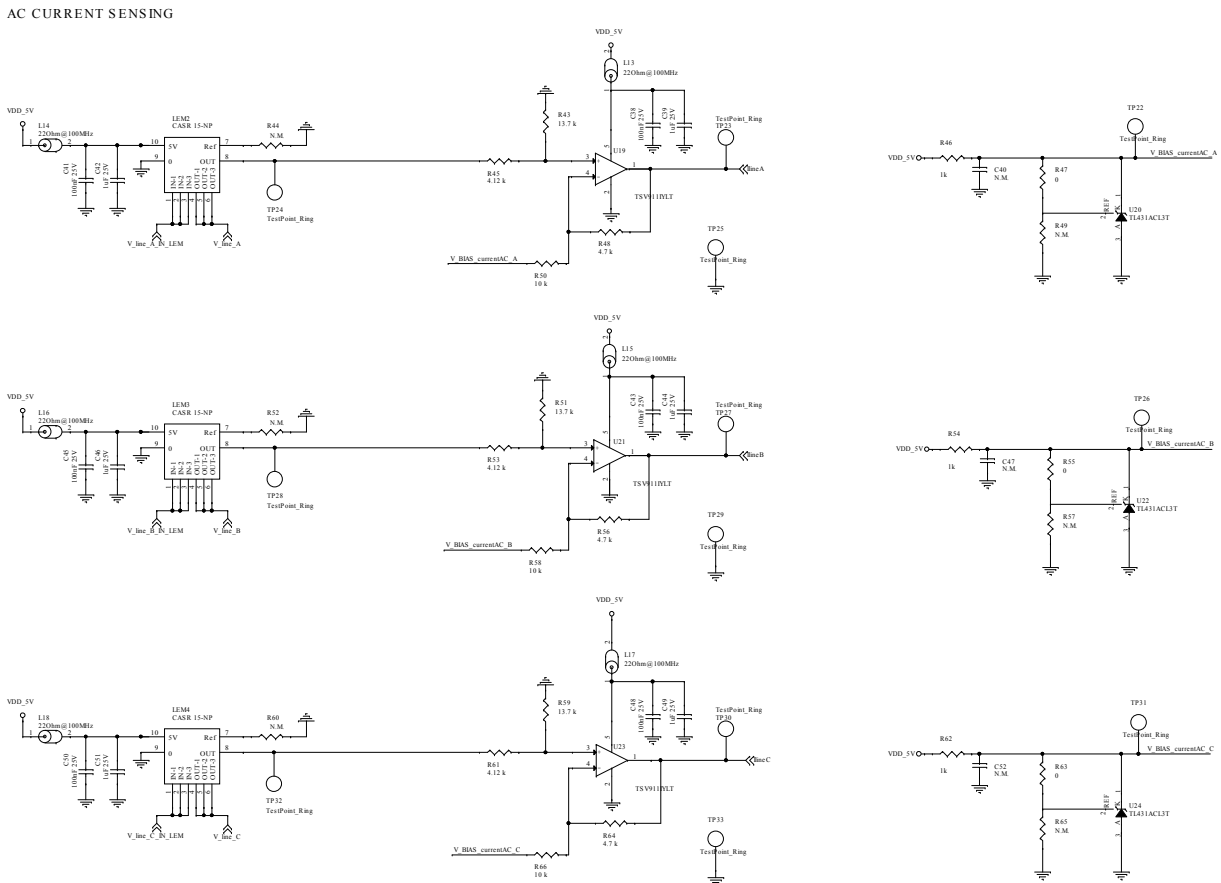


Figure 11. STDES-BCBIDIR circuit schematic (11 of 18) - Power board

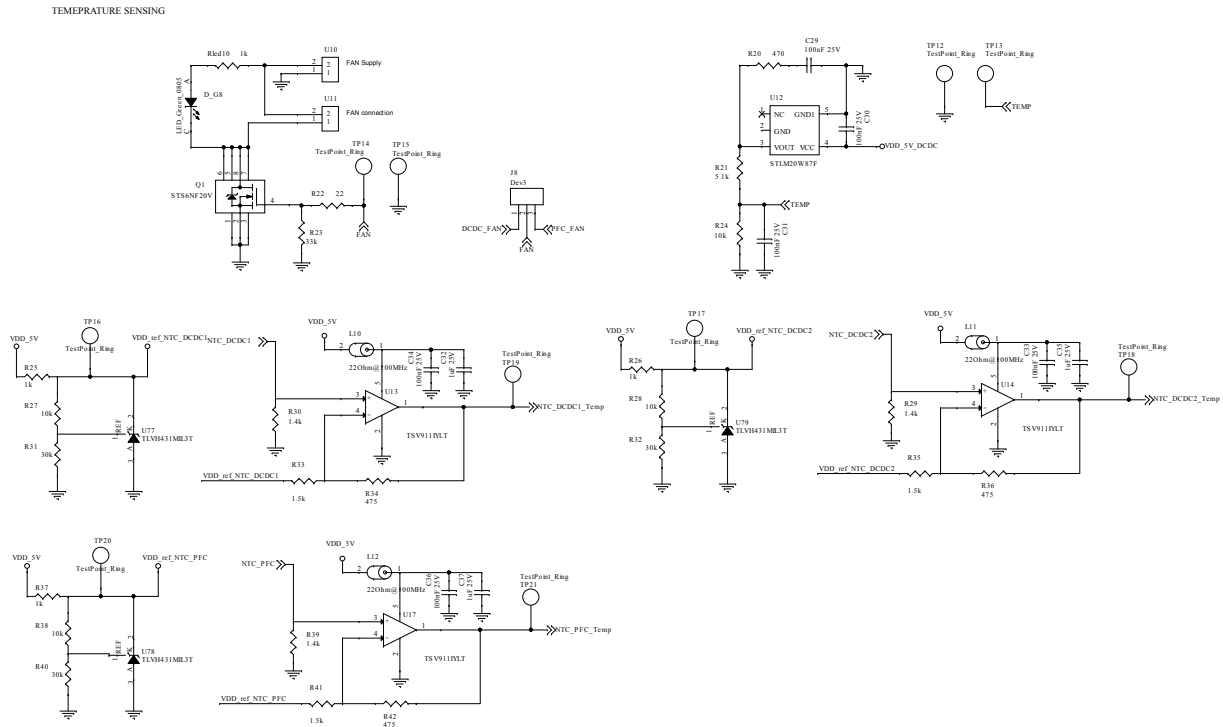


Figure 12. STDES-BCBIDIR circuit schematic (12 of 18) - Power board

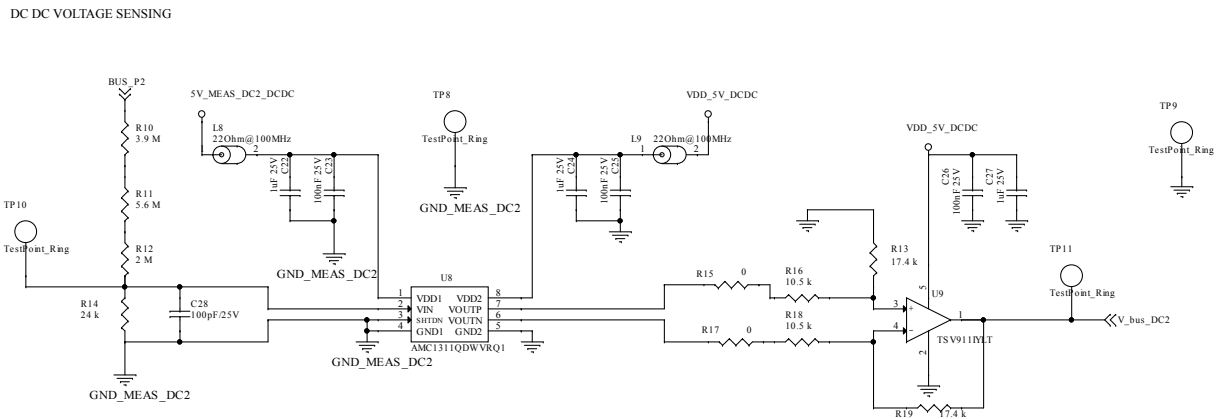


Figure 13. STDES-BCBIDIR circuit schematic (13 of 18) - Power board

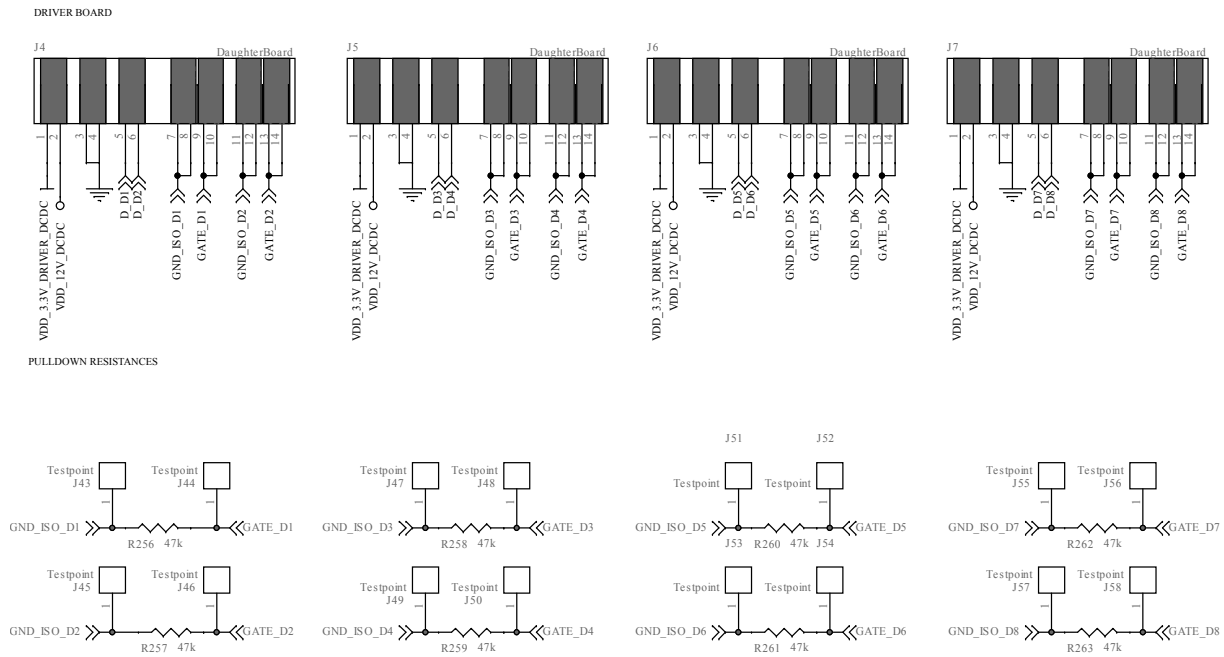


Figure 14. STDES-BCBIDIR circuit schematic (14 of 18) - Power board

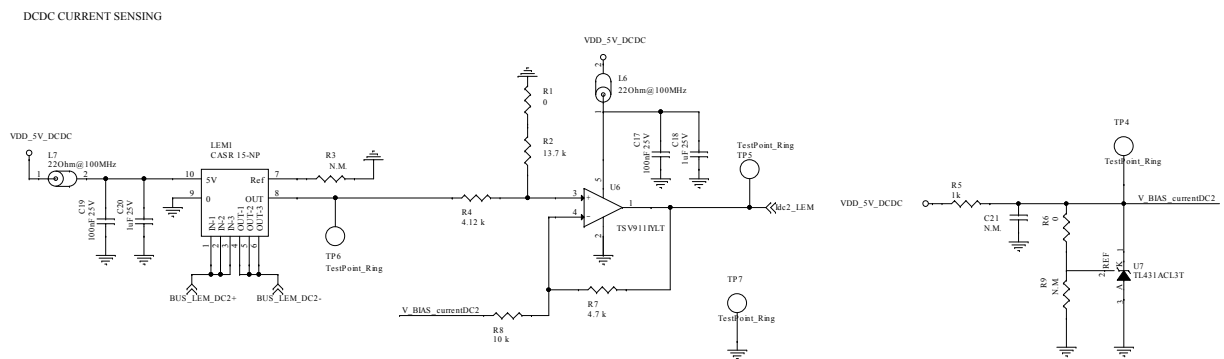




Figure 15. STDES-BCBIDIR circuit schematic (15 of 18) - Power board

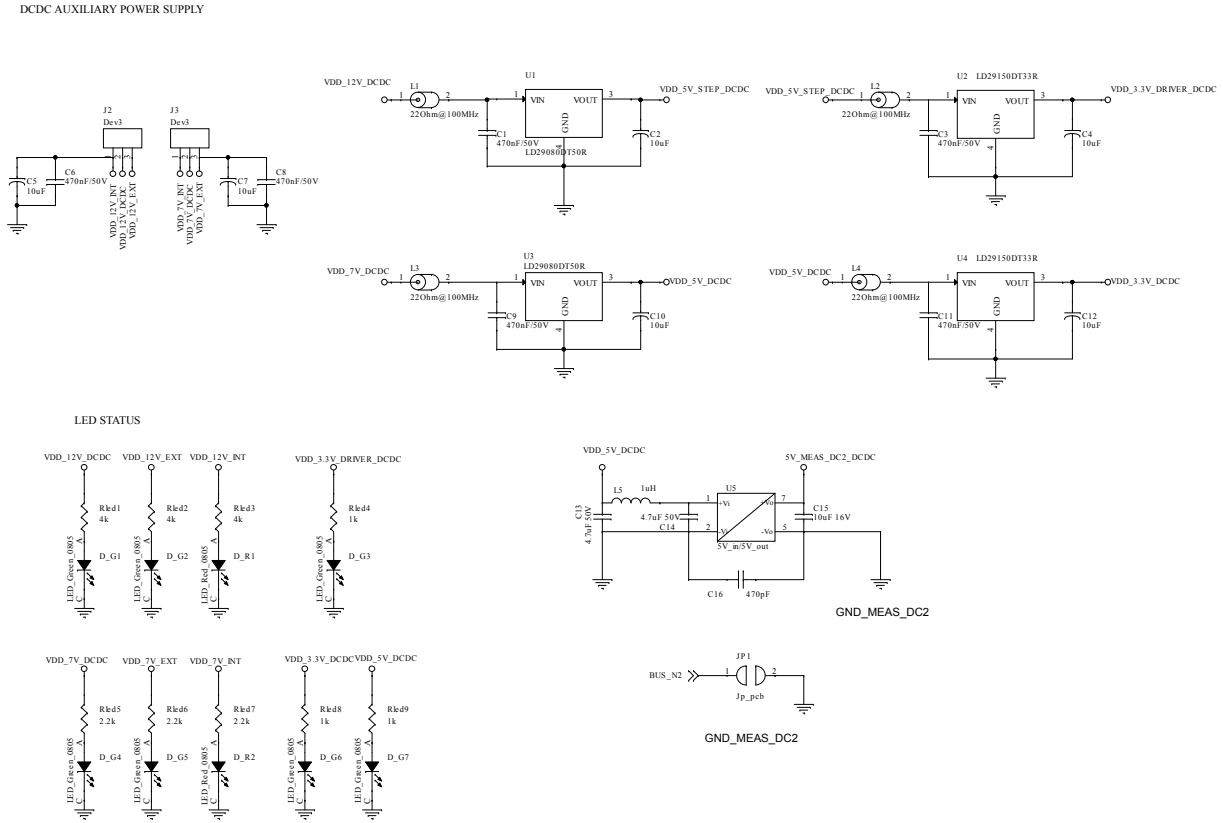


Figure 16. STDES-BCBIDIR circuit schematic (16 of 18) - Power board

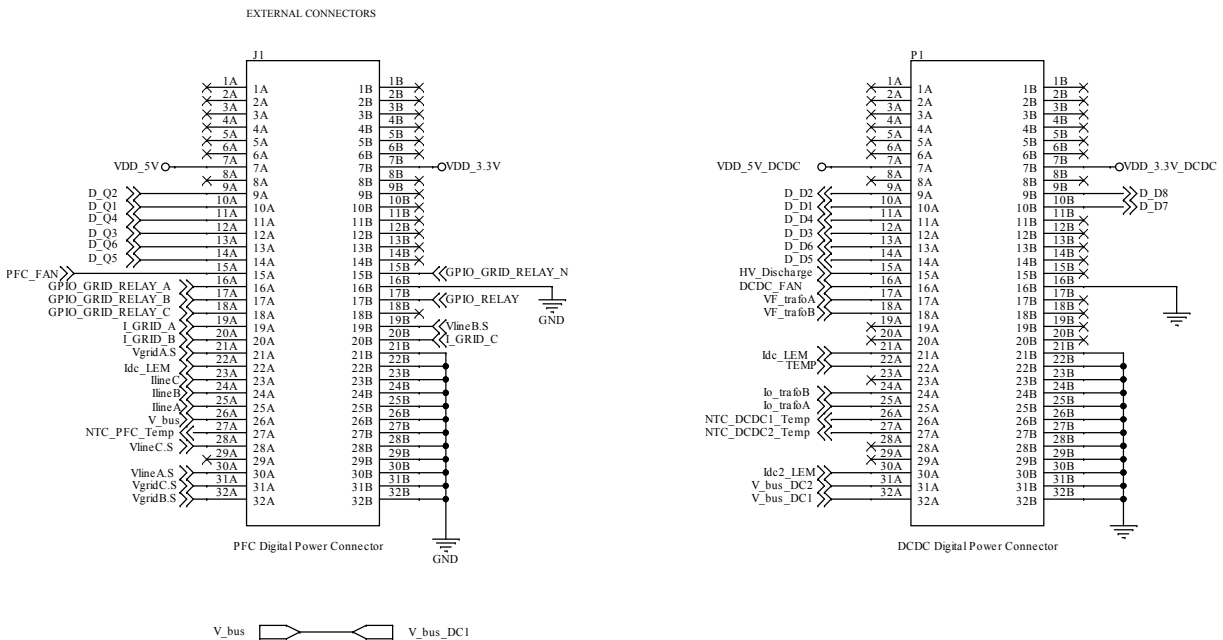


Figure 17. STDES-BCBIDIR circuit schematic (17 of 18) - Power board

TRANSFORMER CURRENT SENSING

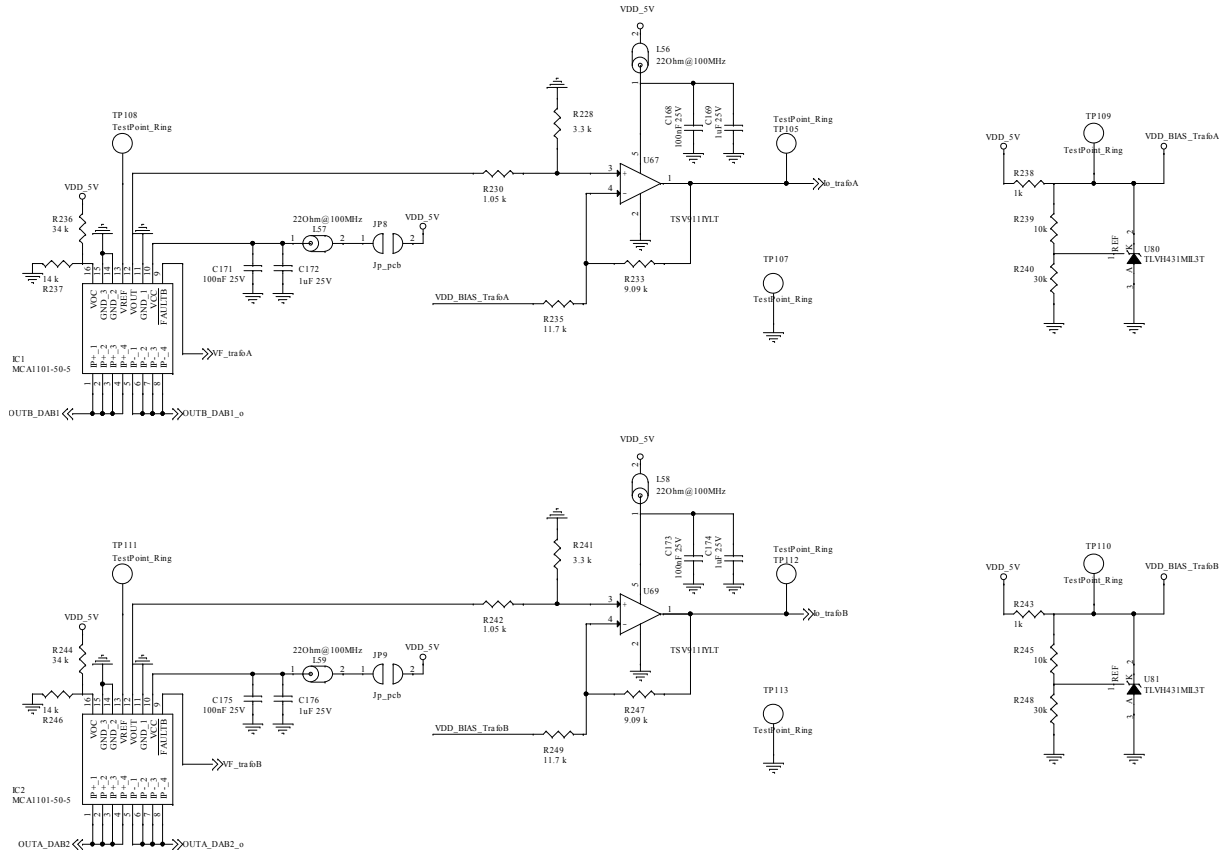


Figure 18. STDES-BCBIDIR circuit schematic (18 of 18) - Power board

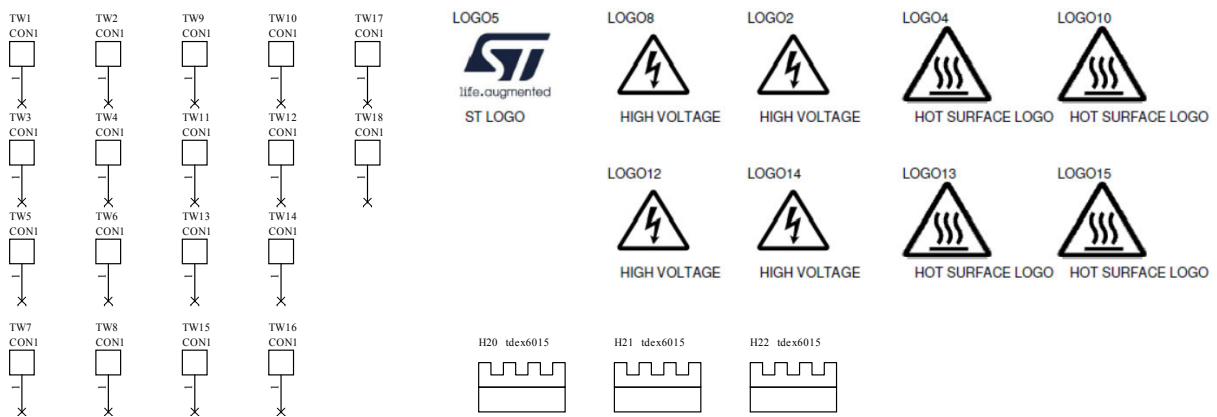


Figure 19. STDES-BCBIDIR circuit schematic - Control board

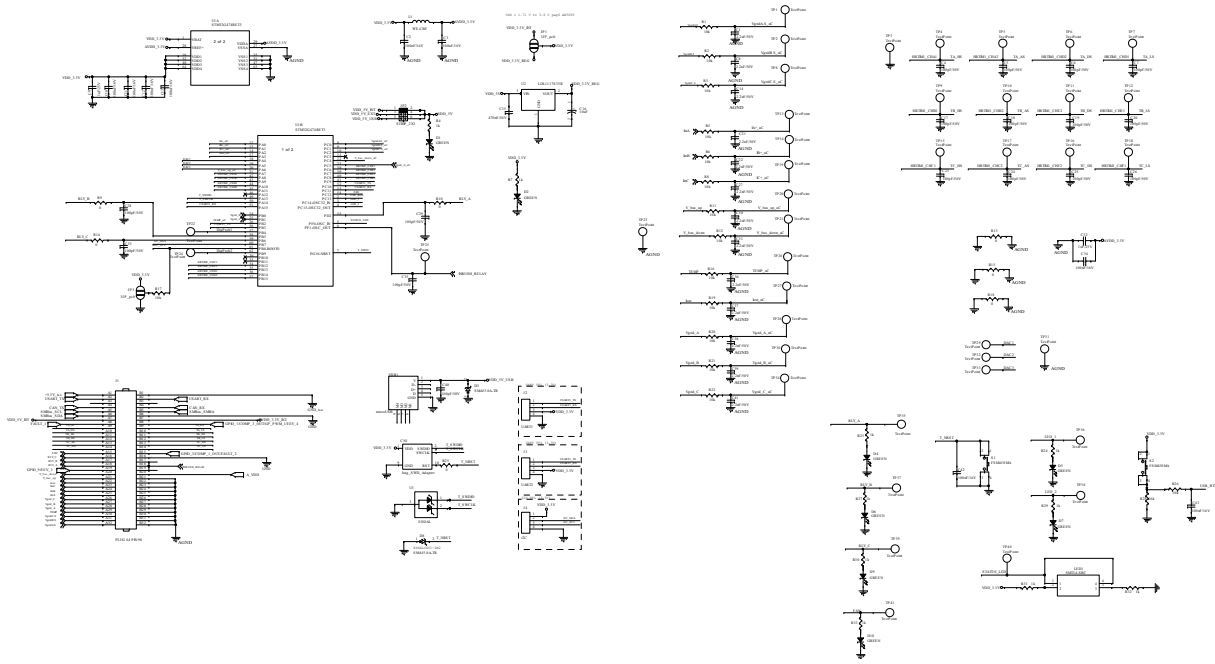
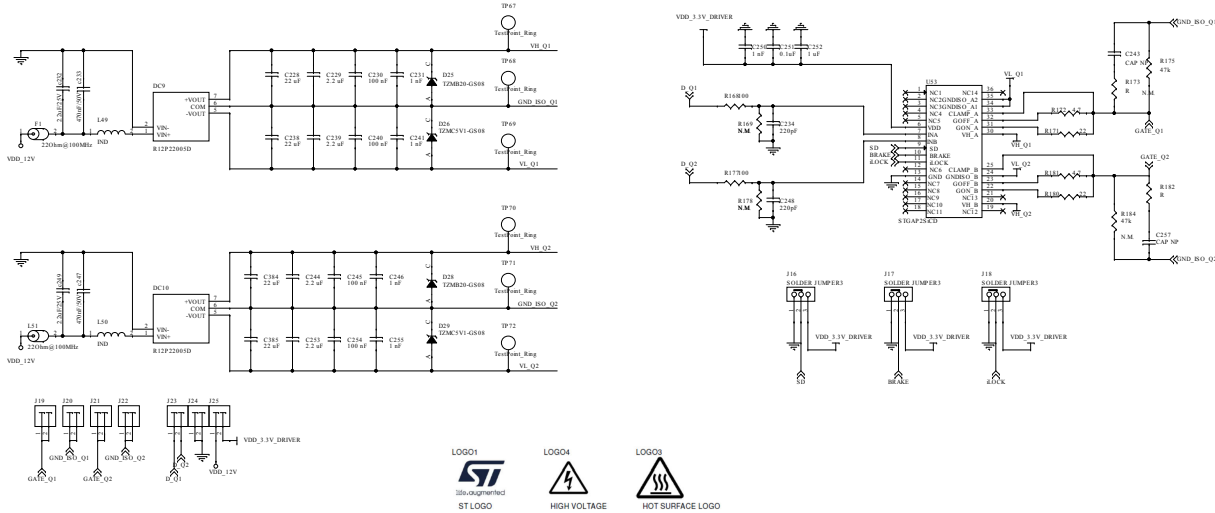


Figure 20. STDES-BCBIDIR circuit schematic - Driver board



**IMPORTANT NOTICE – READ CAREFULLY**

STMicroelectronics NV and its subsidiaries (“ST”) reserve the right to make changes, corrections, enhancements, modifications, and improvements to ST products and/or to this document at any time without notice. Purchasers should obtain the latest relevant information on ST products before placing orders. ST products are sold pursuant to ST’s terms and conditions of sale in place at the time of order acknowledgment.

Purchasers are solely responsible for the choice, selection, and use of ST products and ST assumes no liability for application assistance or the design of purchasers’ products.

No license, express or implied, to any intellectual property right is granted by ST herein.

Resale of ST products with provisions different from the information set forth herein shall void any warranty granted by ST for such product.

ST and the ST logo are trademarks of ST. For additional information about ST trademarks, refer to [www.st.com/trademarks](http://www.st.com/trademarks). All other product or service names are the property of their respective owners.

Information in this document supersedes and replaces information previously supplied in any prior versions of this document.

© 2023 STMicroelectronics – All rights reserved