

STEVAL-55G0MBI

PCB4189D

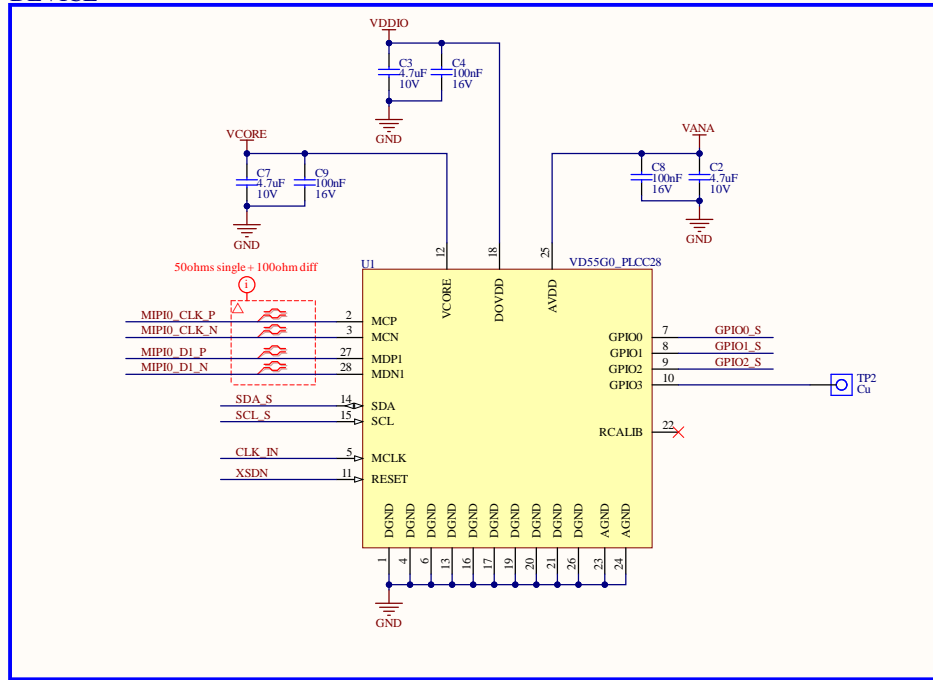
REVISION HISTORY

SHEET 01: TITLE
SHEET 02: Sensor
SHEET 03: Interface

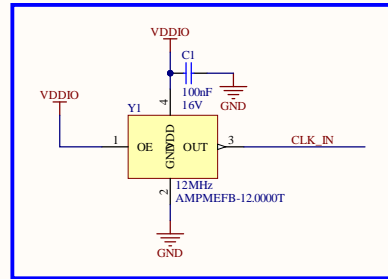
DATE	VERSION	NAME	DESCRIPTION
28/05/2024	1.0		First Release
25/03/2025	1.1		Note added on RaspberryPi interface



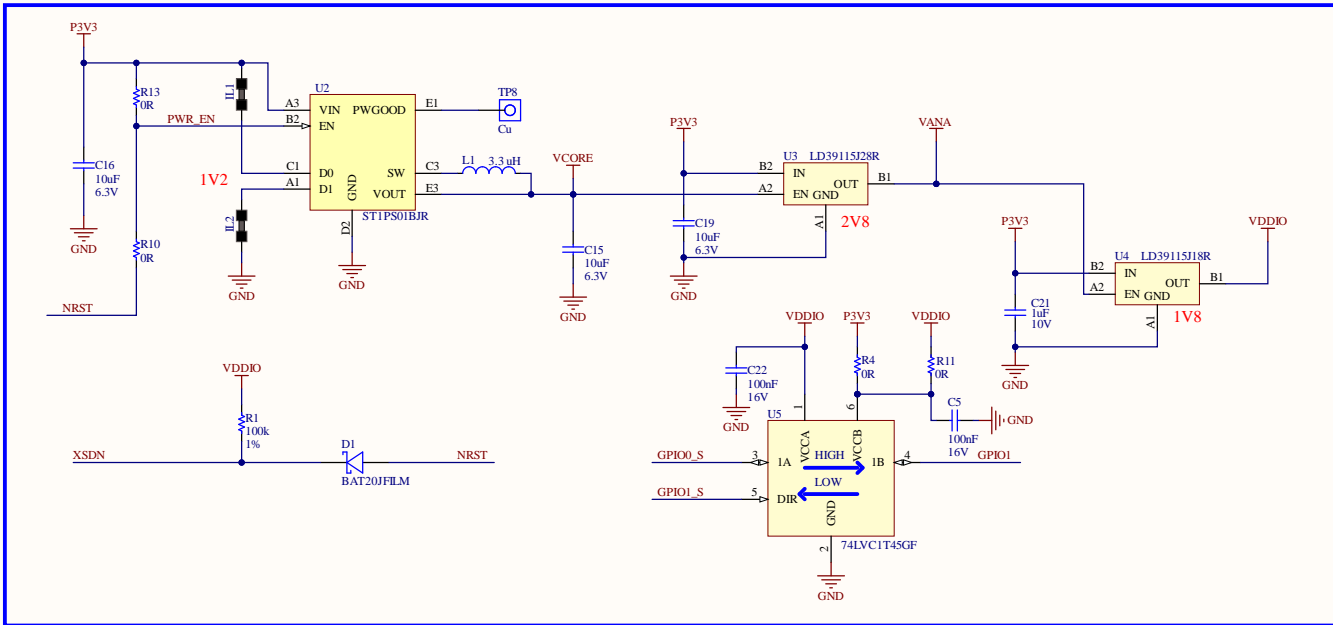
DEVICE



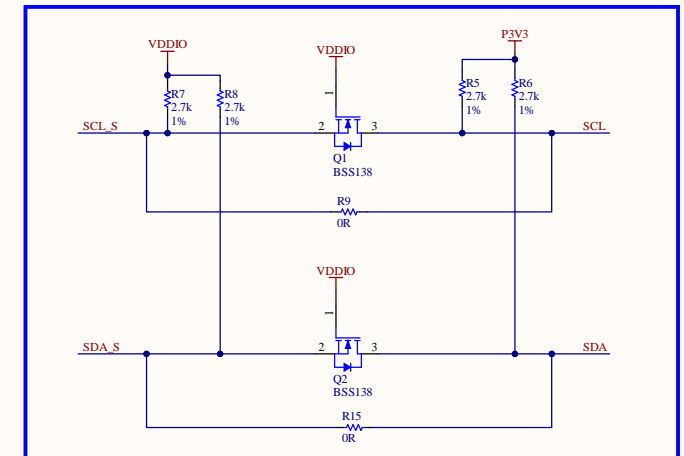
CLOCK



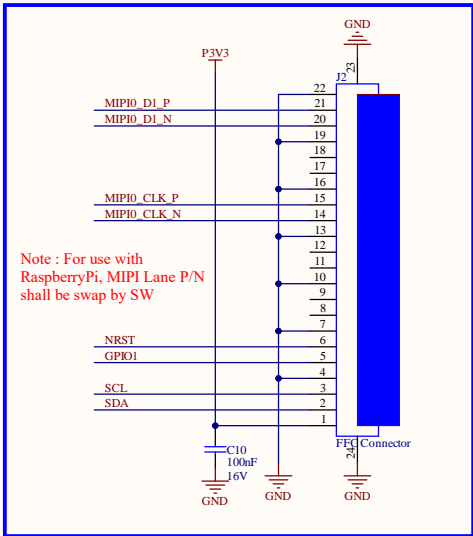
POWER & RESET



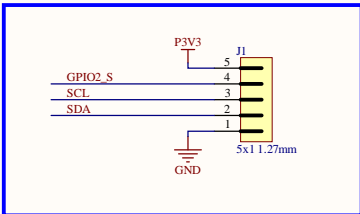
I2C



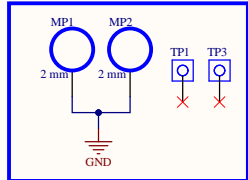
Raspberry



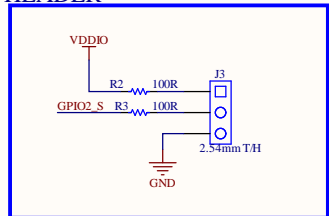
Illuminator



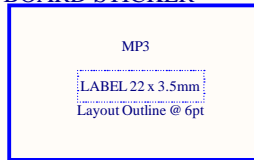
FIXATION



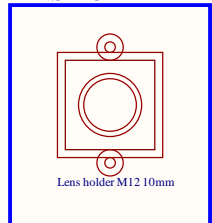
HEADER



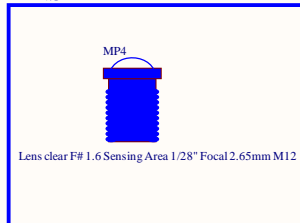
BOARD STICKER



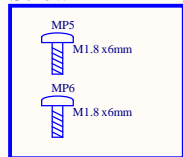
LENS HOLDER



LENS



Screw



Cable

