

STEVAL-CCM007V2

Schematic diagram

Figure 1. Microcontroller section circuit schematic

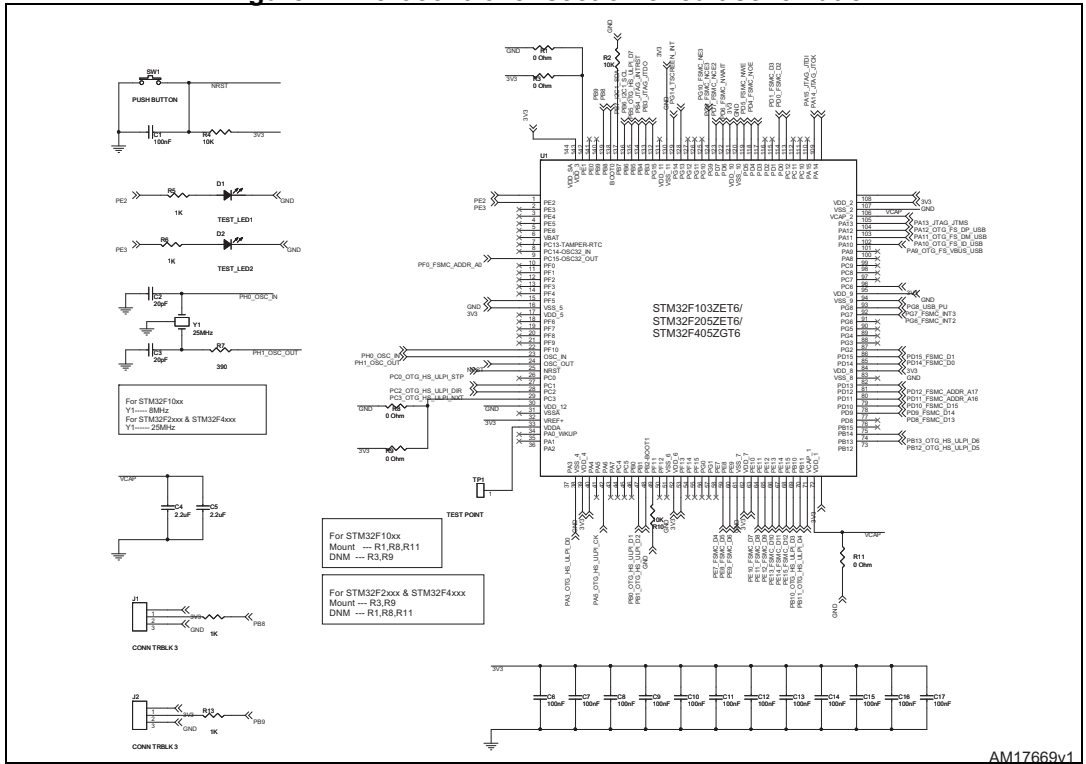


Figure 2. Nand flash circuit schematic

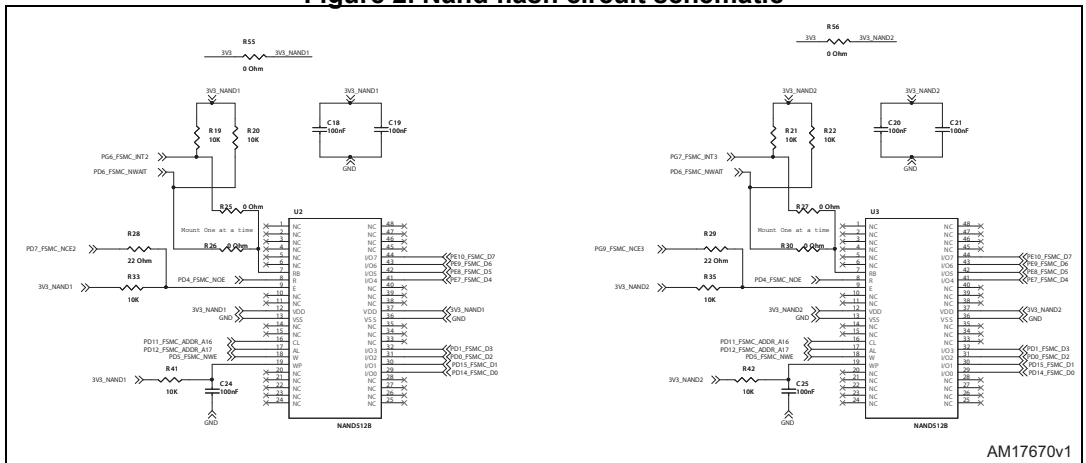


Figure 3. USB full speed circuit schematic

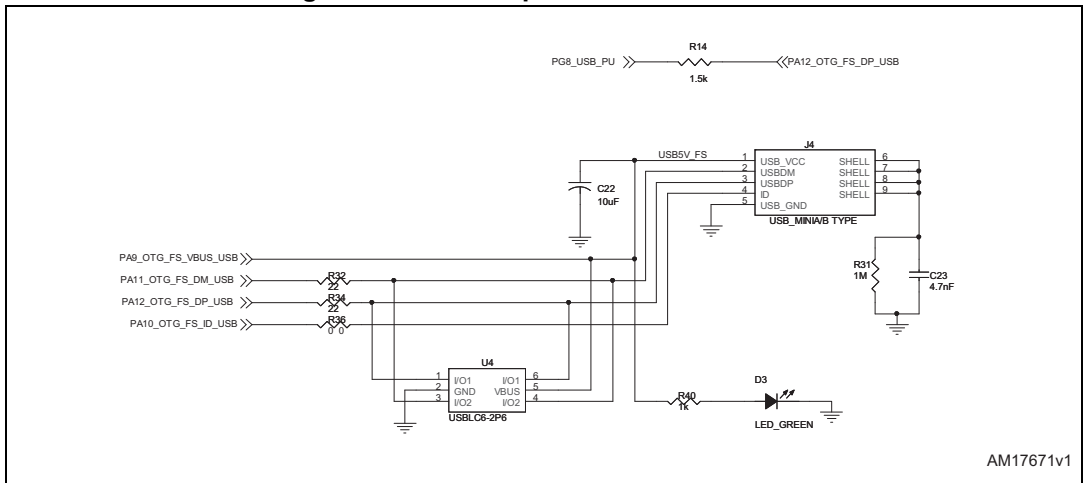


Figure 4. JTAG connector circuit schematic

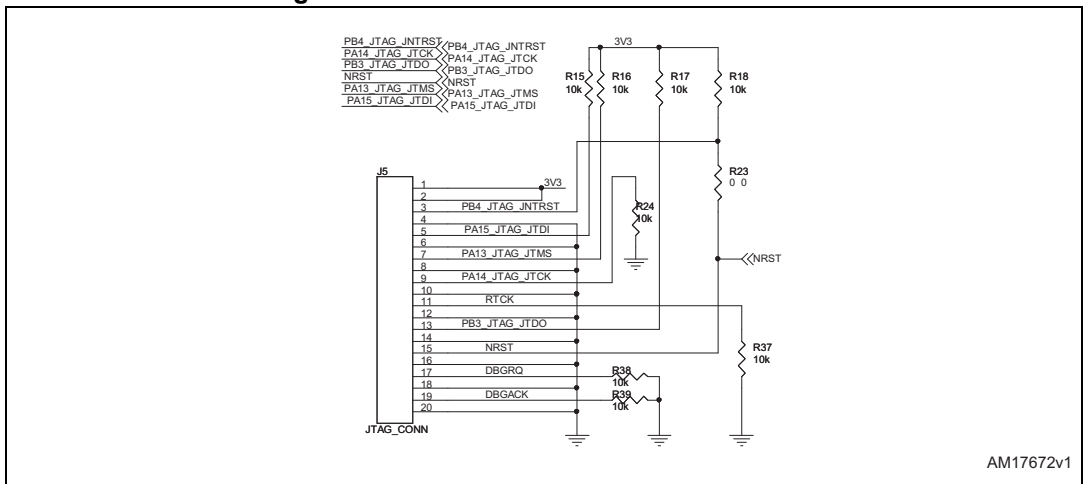


Figure 5. USB high speed circuit schematic

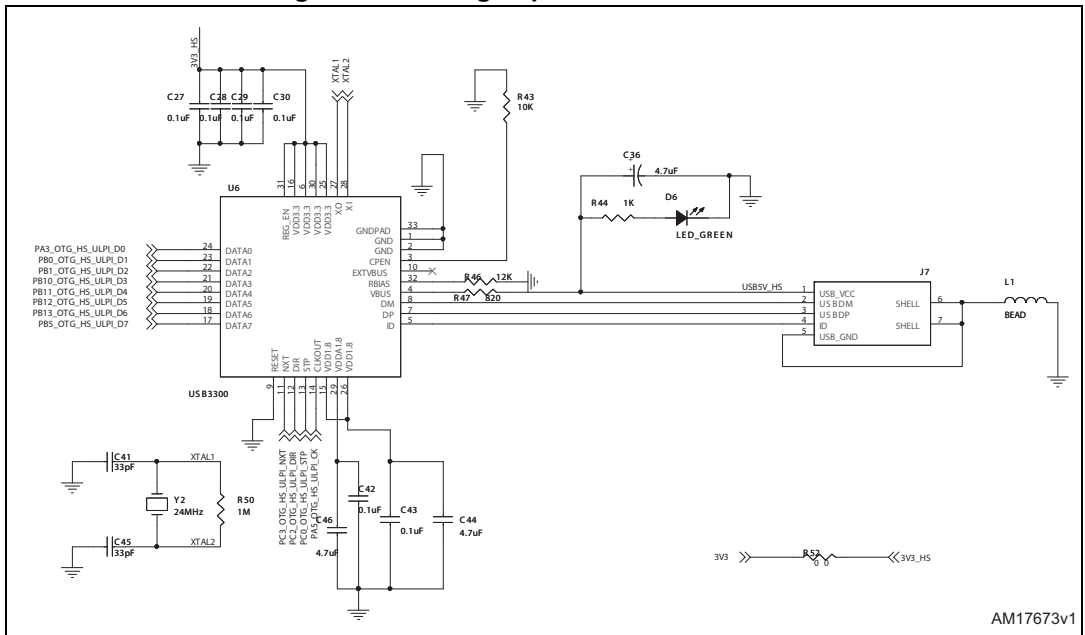


Figure 6. Touch screen controller circuit schematic

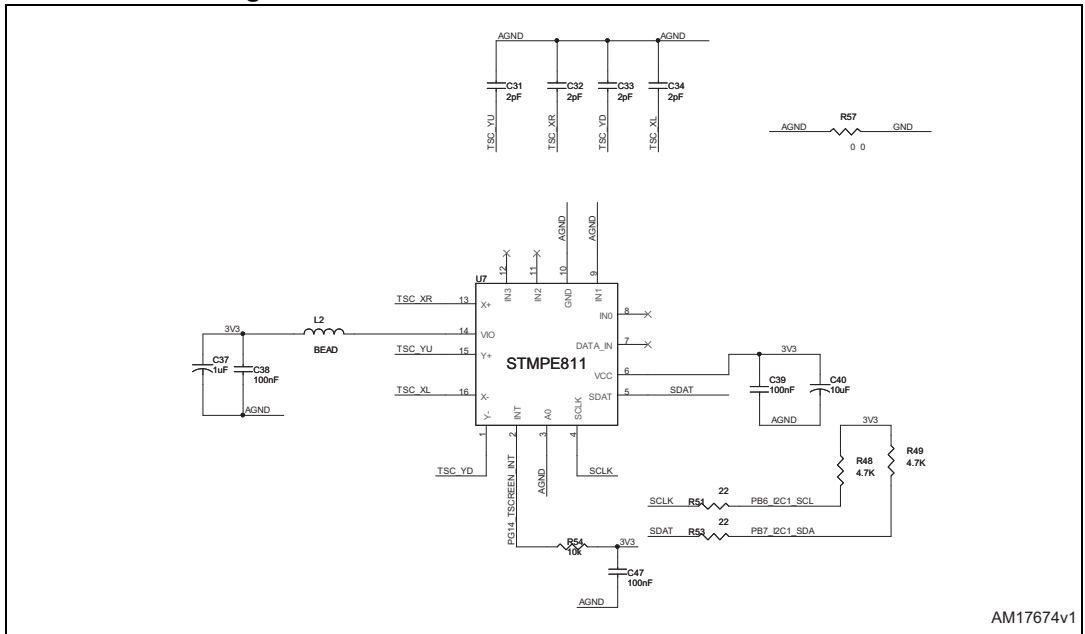
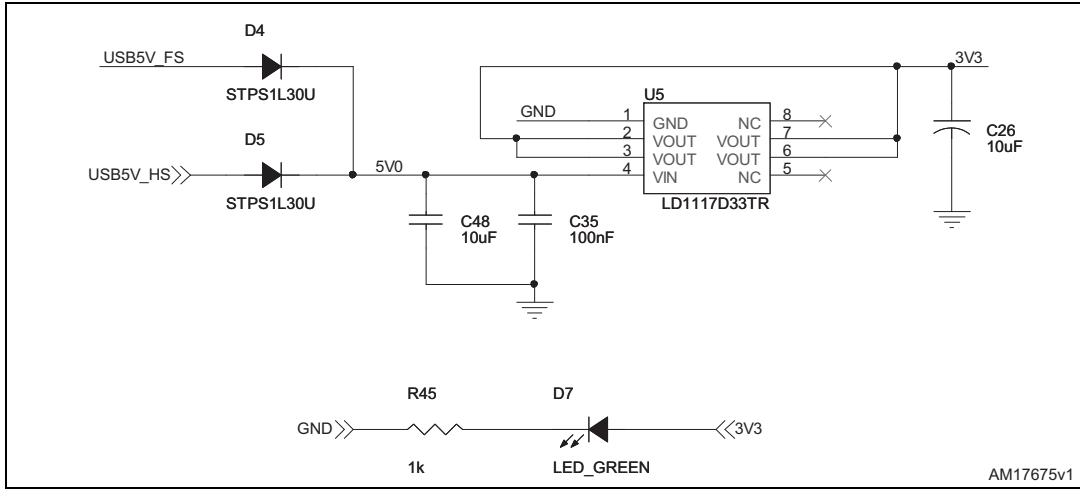
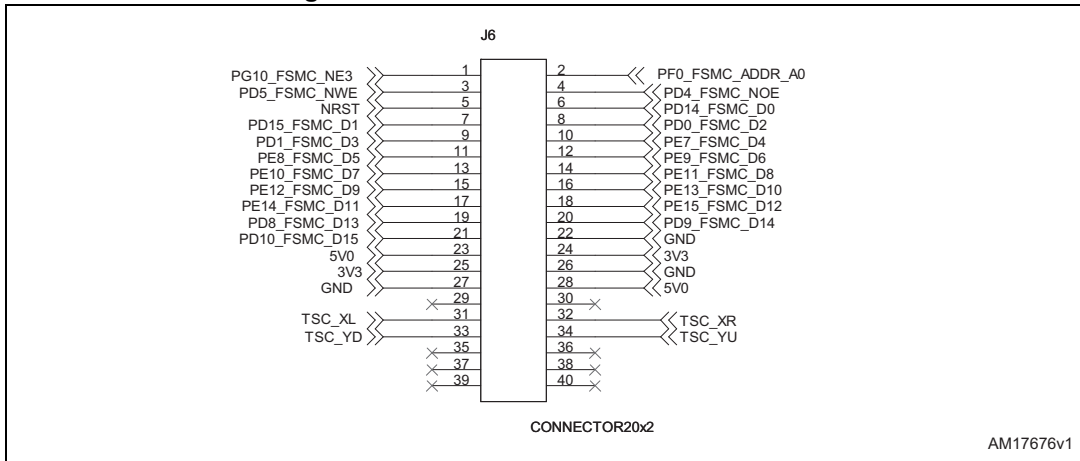


Figure 7. Power section circuit schematic



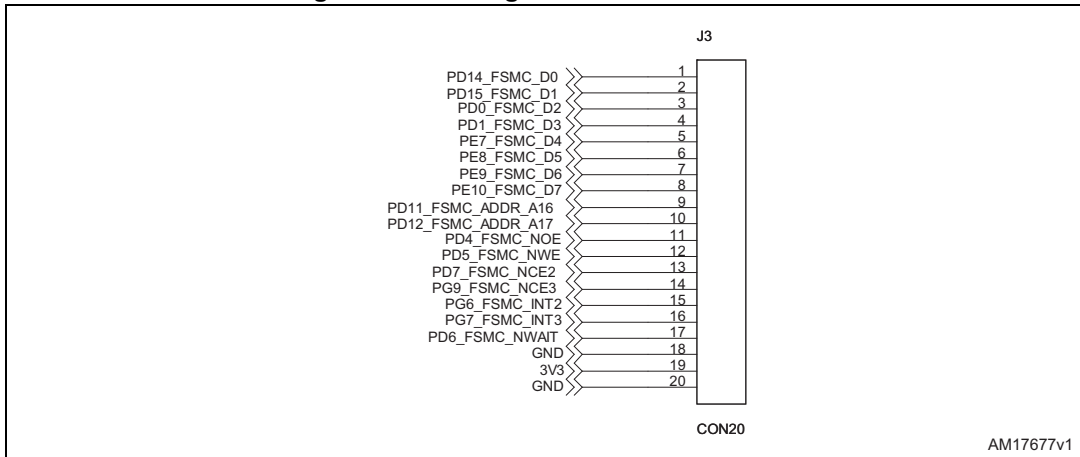
AM17675v1

Figure 8. TFT connector circuit schematic



AM17676v1

Figure 9. Nand signals circuit schematic



AM17677v1