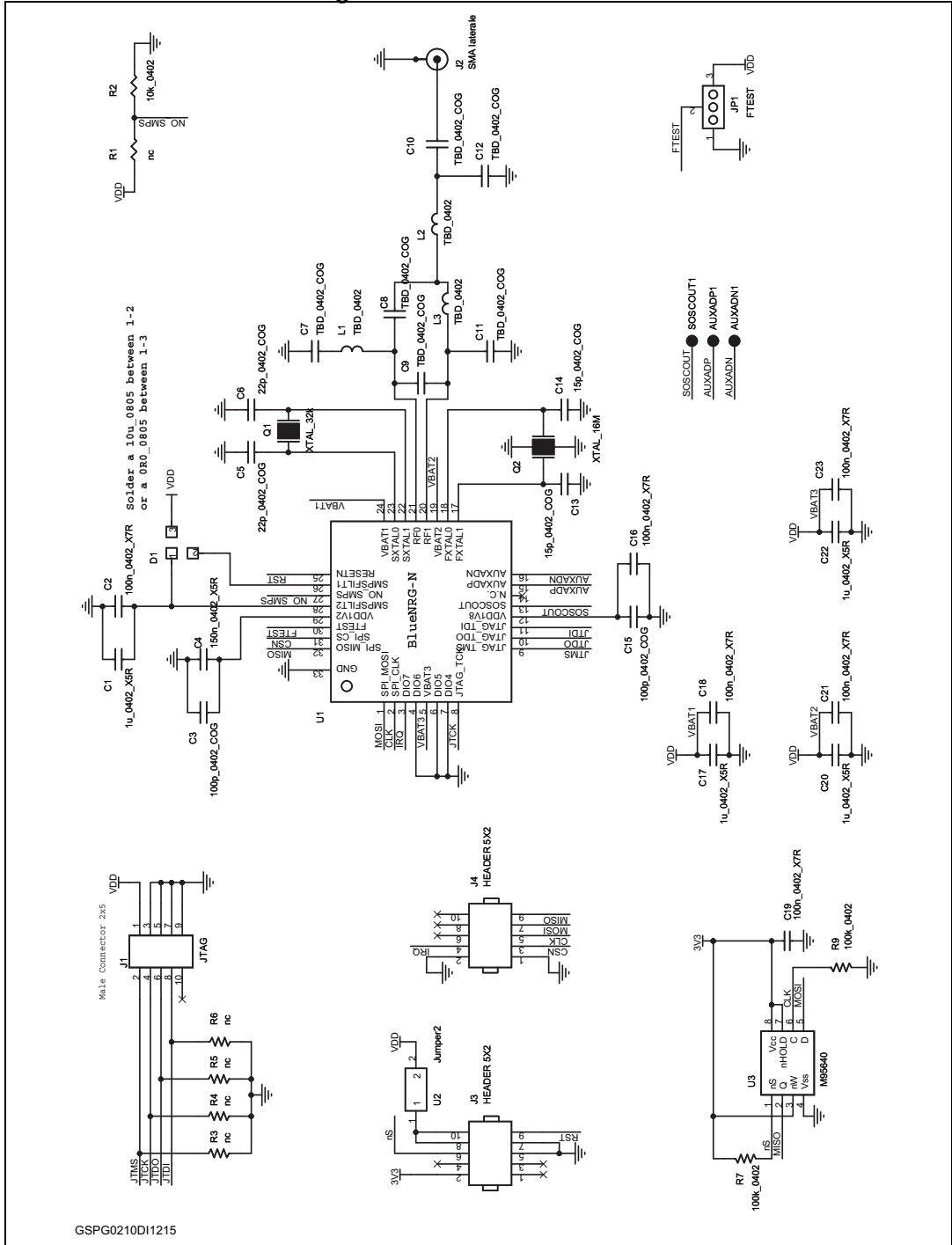


# STEVAL-IDB002V1

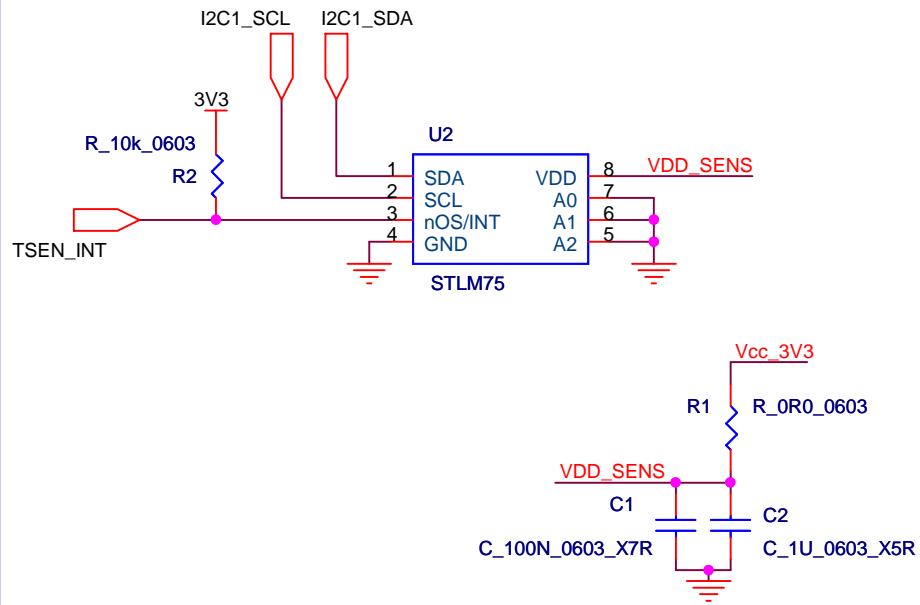
# Schematic diagram

Figure 1. BlueNRG schematic

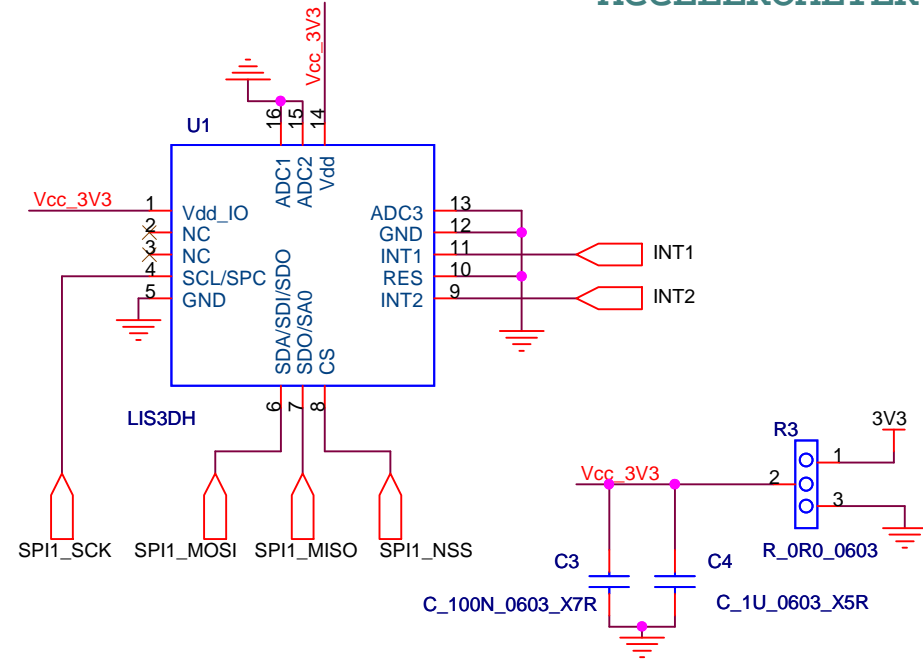


GSPG0210D11215

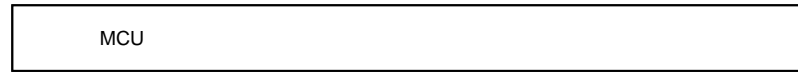
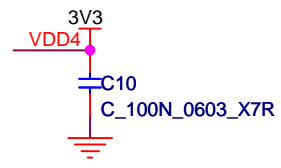
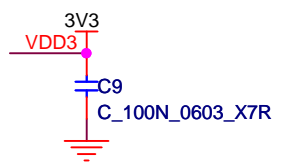
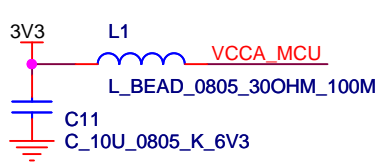
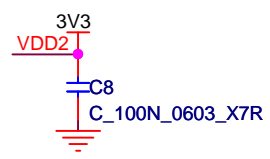
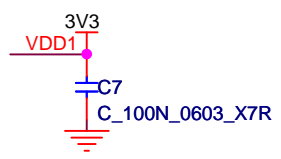
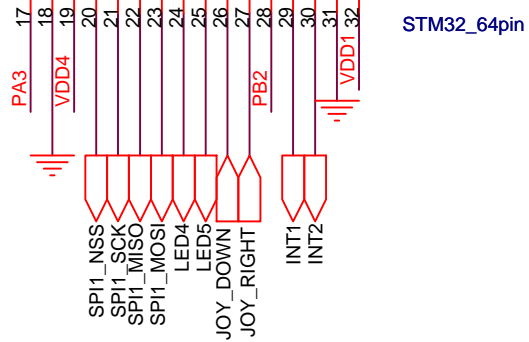
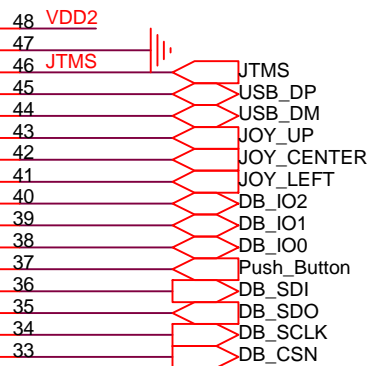
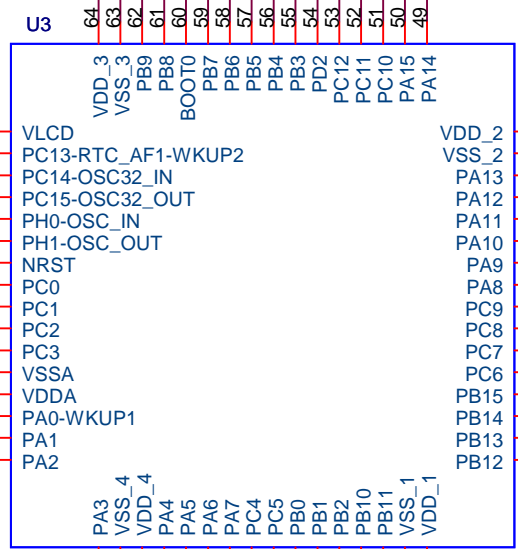
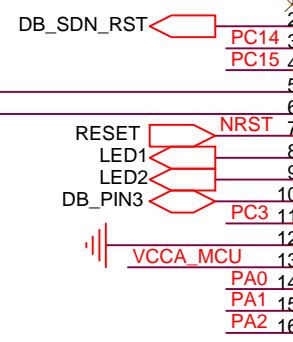
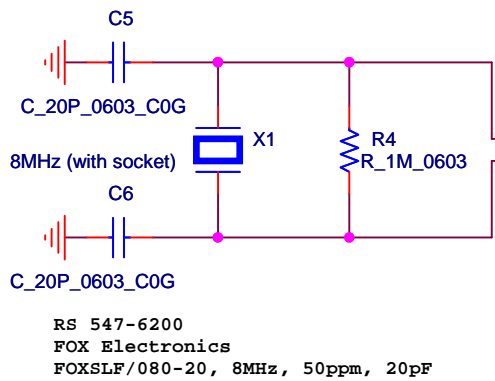
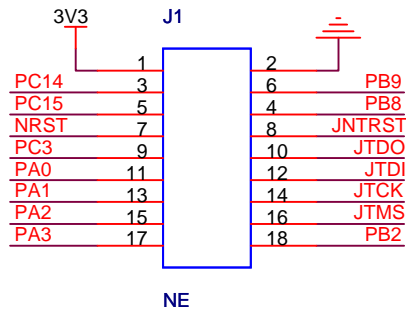
## TEMPERATURE SENSOR



## ACCELEROMETER



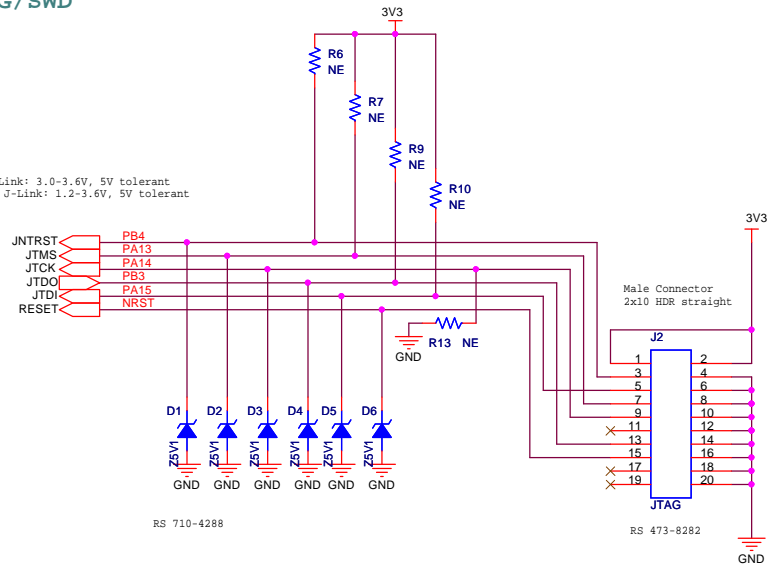
ACCELEROMETER AND TEMPERATURE SENSOR



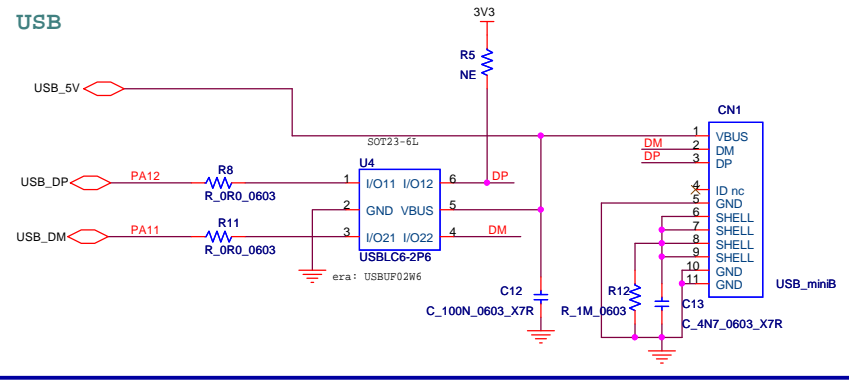
STM32\_64pin

### JTAG / SWD

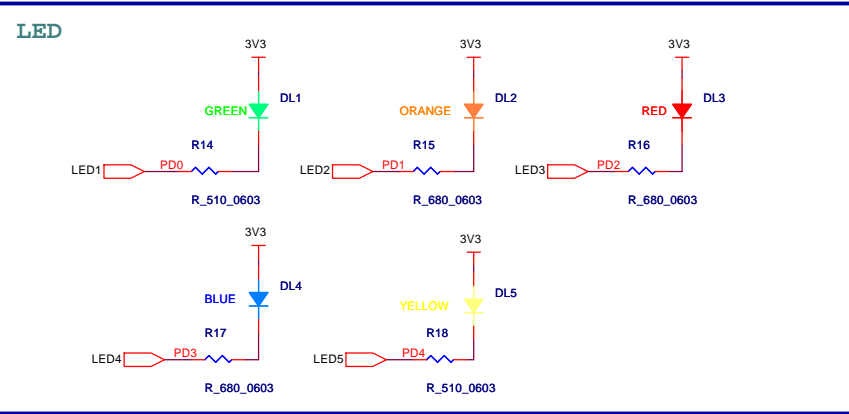
ST Link: 3.0-3.6V, 5V tolerant  
IAR v-Link: 1.2-3.6V, 5V tolerant



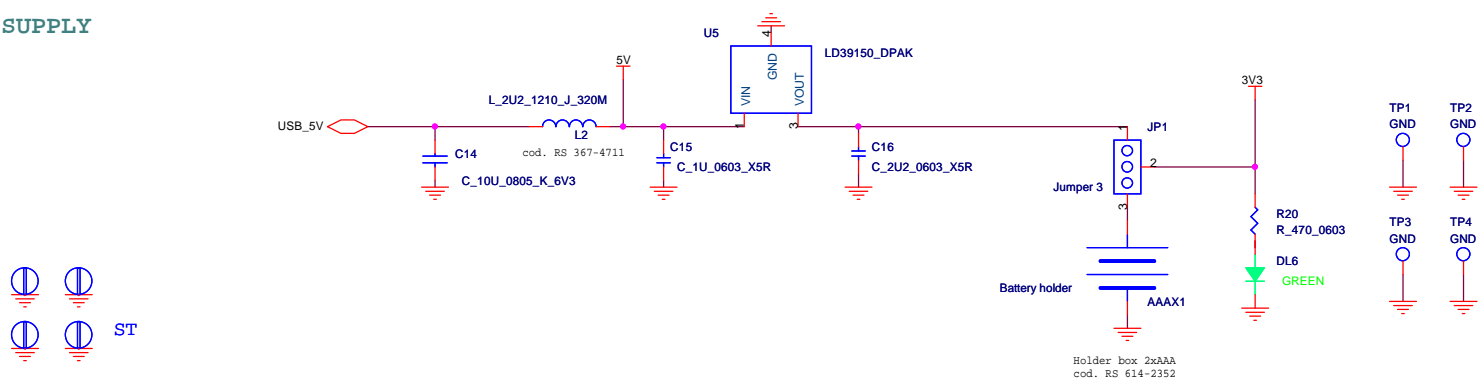
### USB



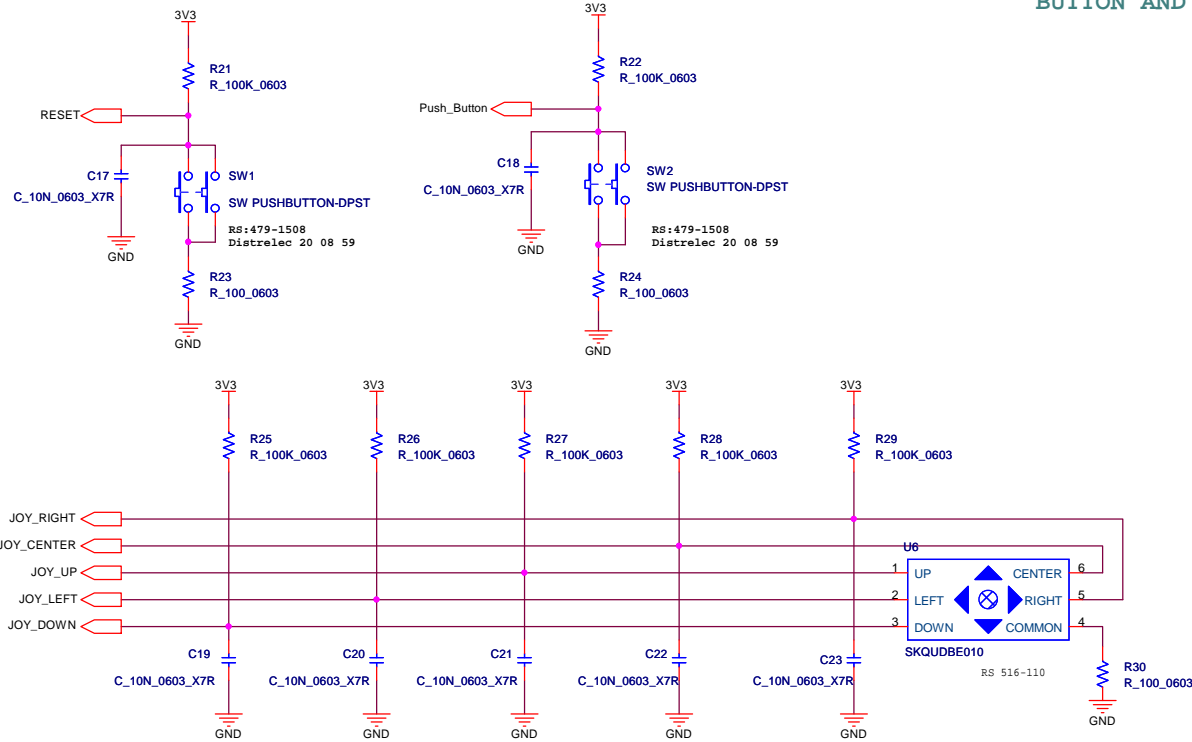
### LED



### POWER SUPPLY



BUTTON AND JOYSTICK



DAUGHTERBOARD CONNECTORS

