

# STEVAL-IDS001V2

# Schematic diagram

Figure 1. SPIRIT1 circuit schematic

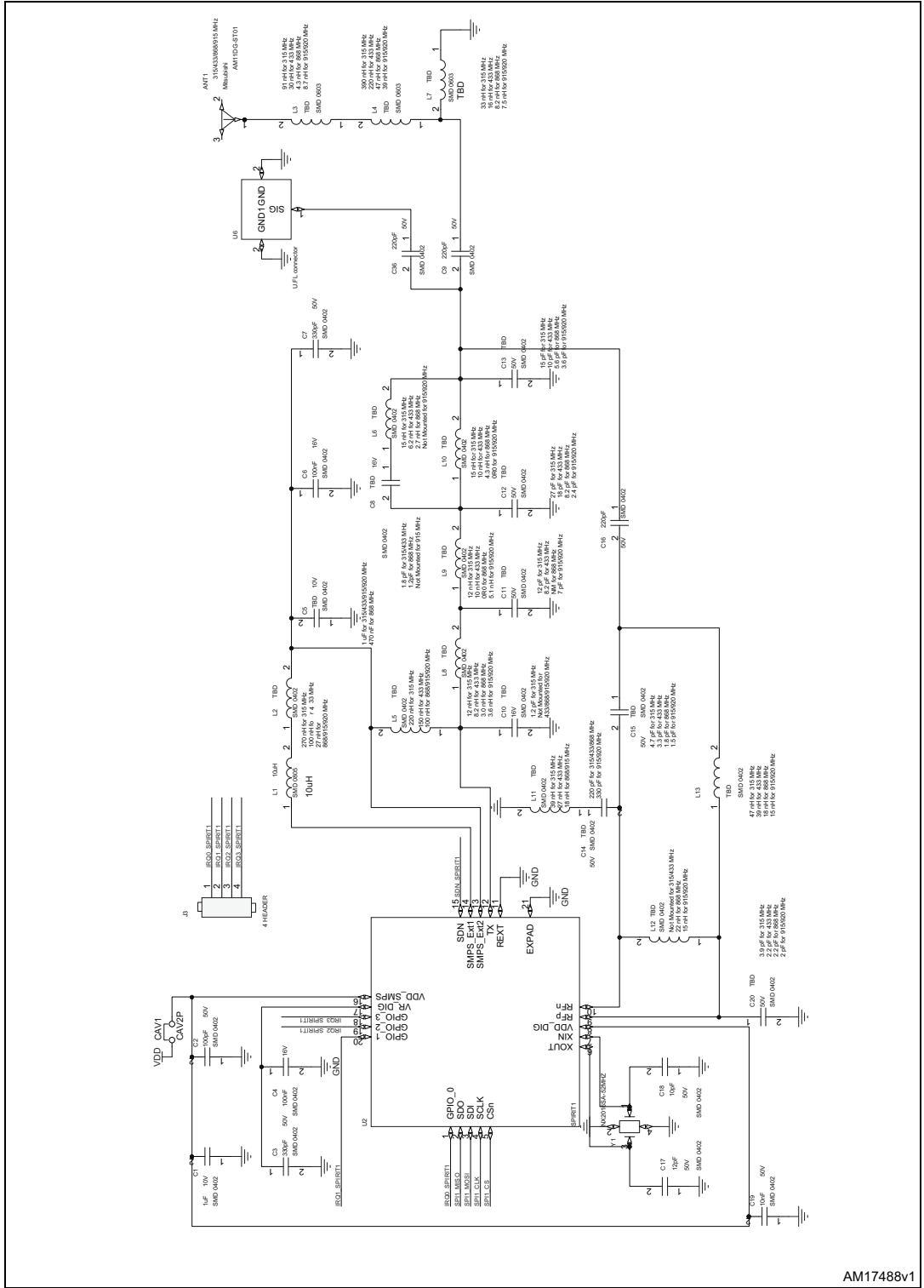


Figure 2. Oscillator circuit schematic

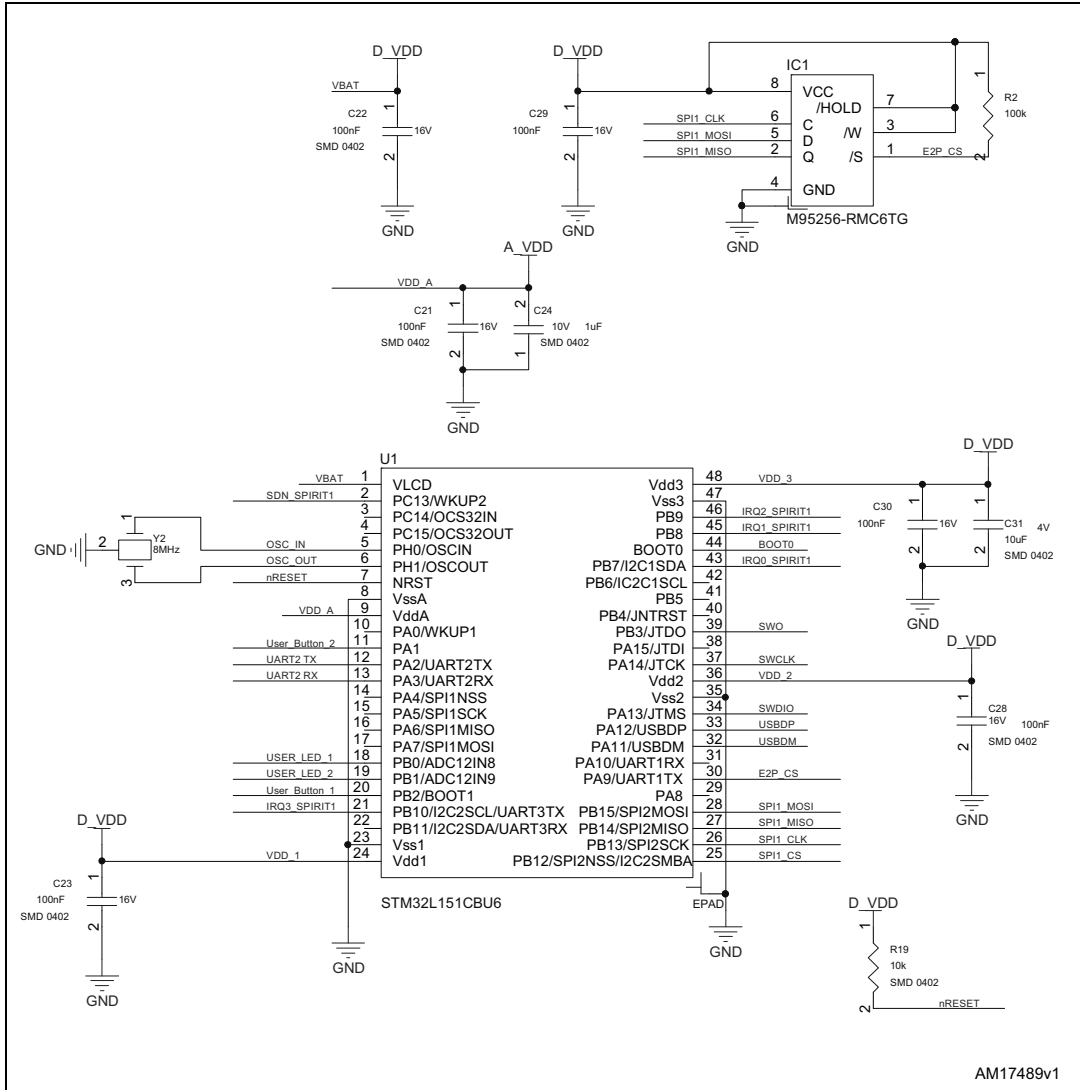


Figure 3. SWD circuit schematic

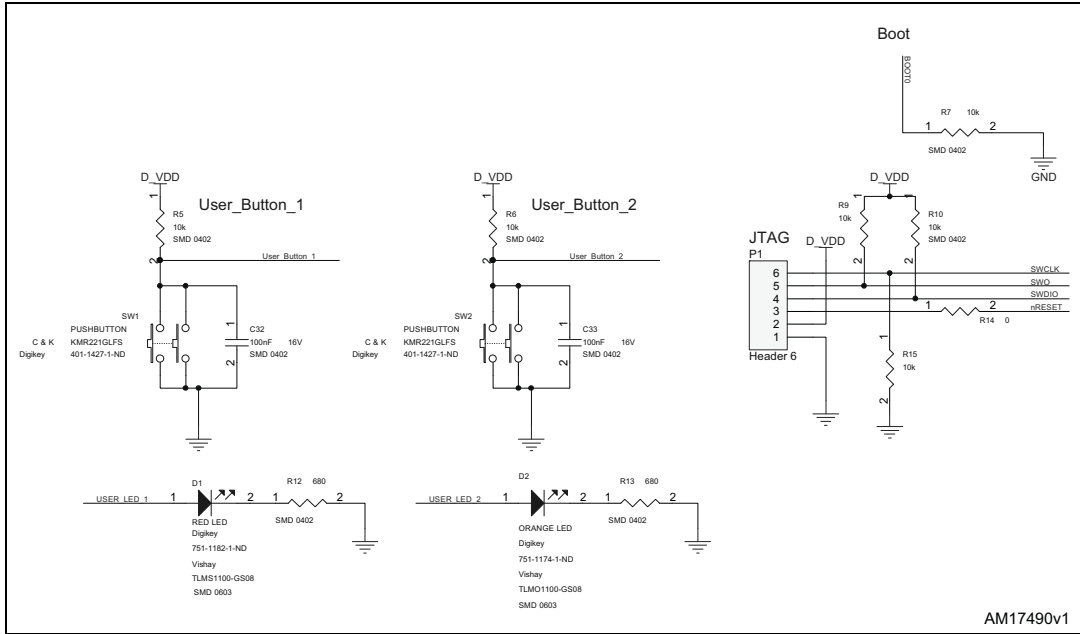
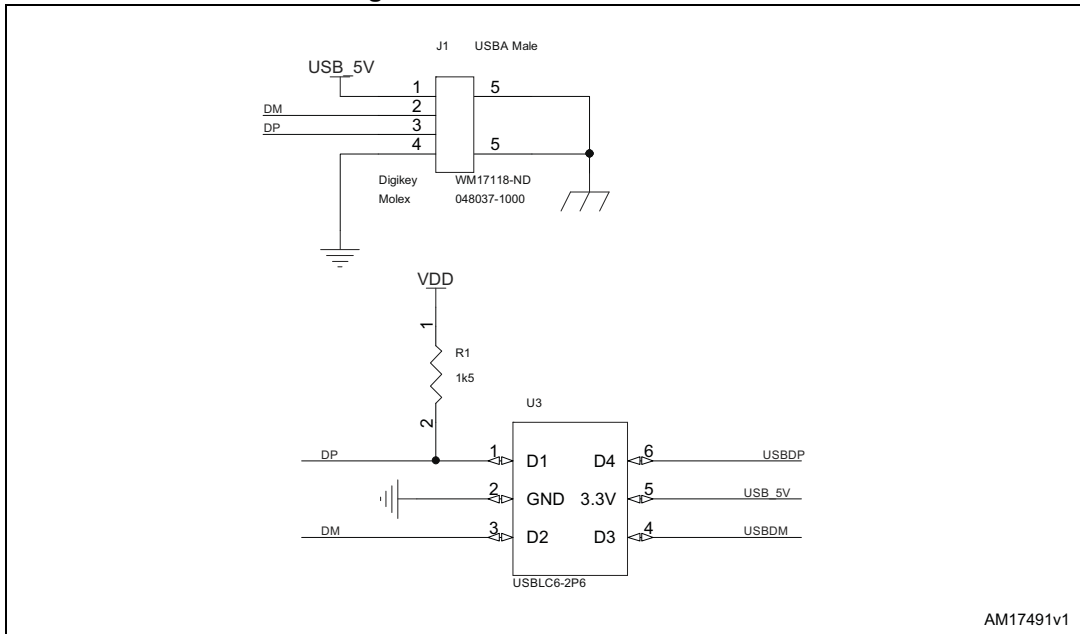
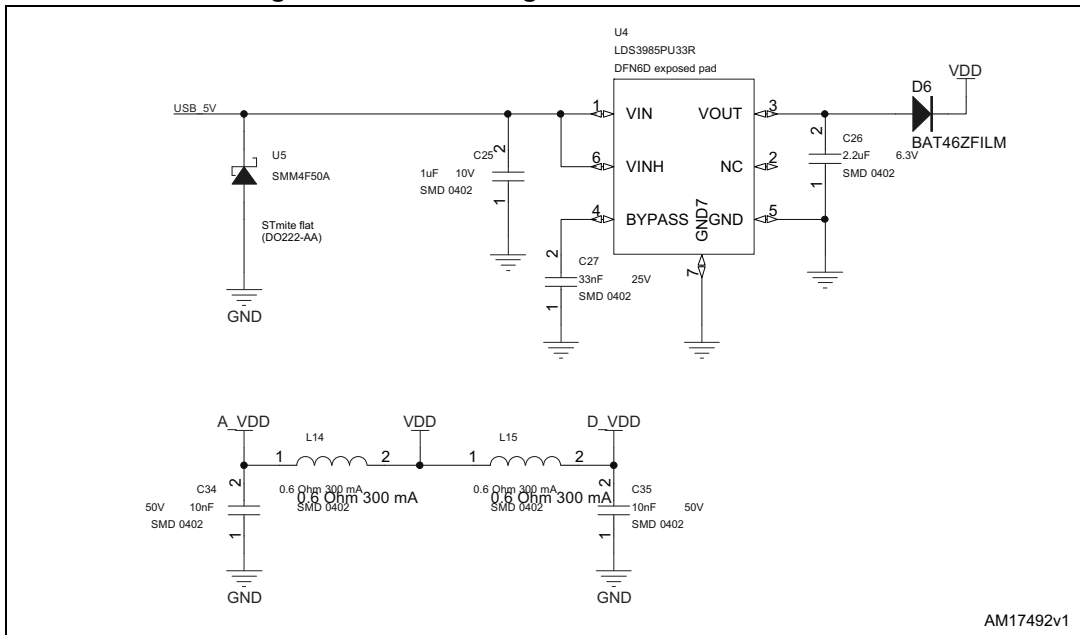


Figure 4. USB circuit schematic



**Figure 5. Power management circuit schematic**



AM17492v1