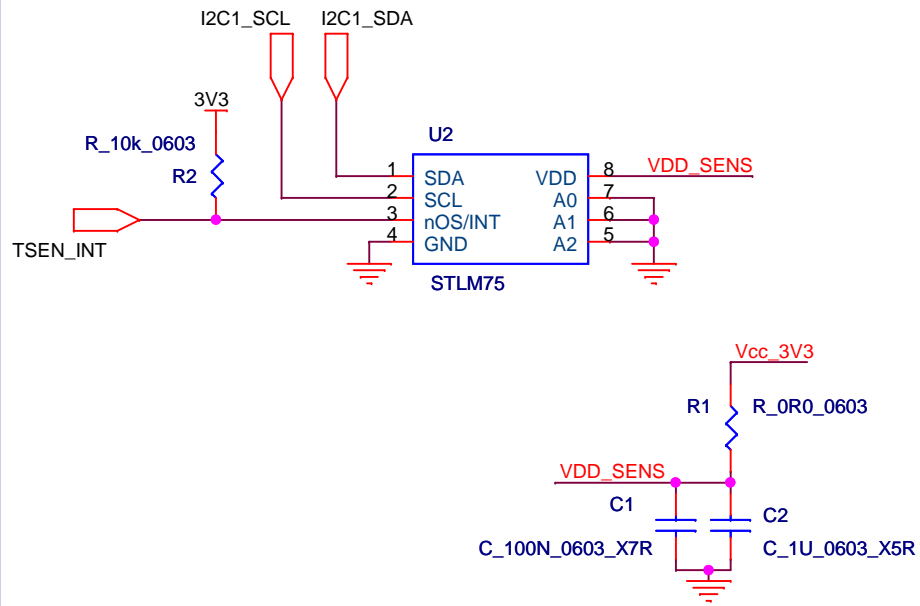
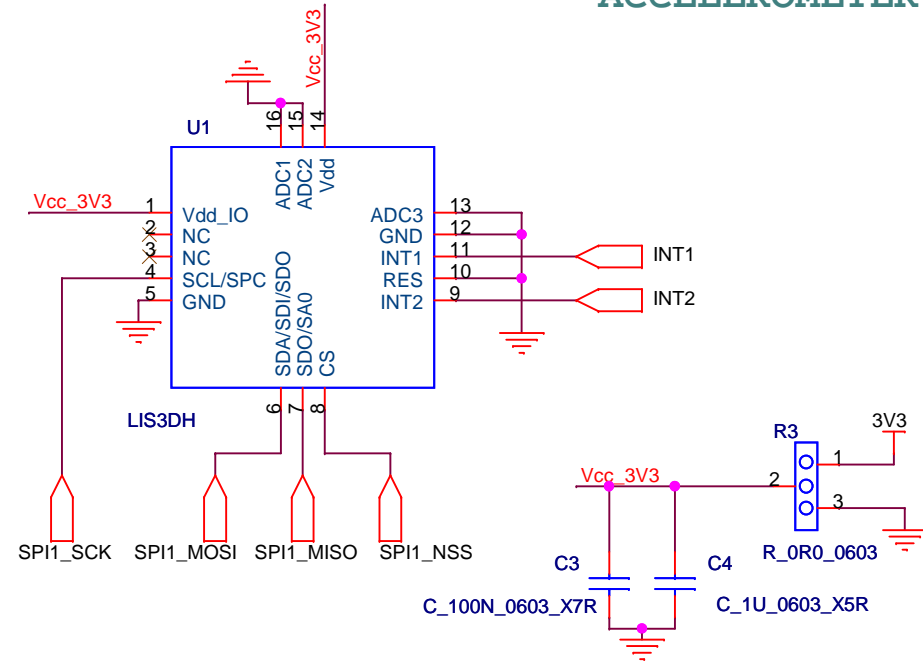


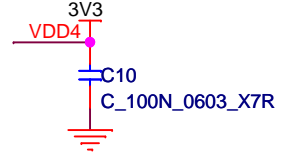
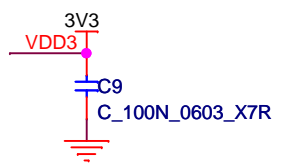
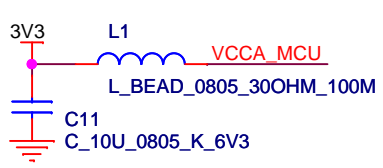
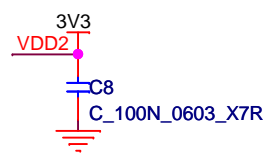
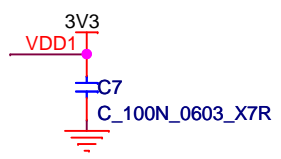
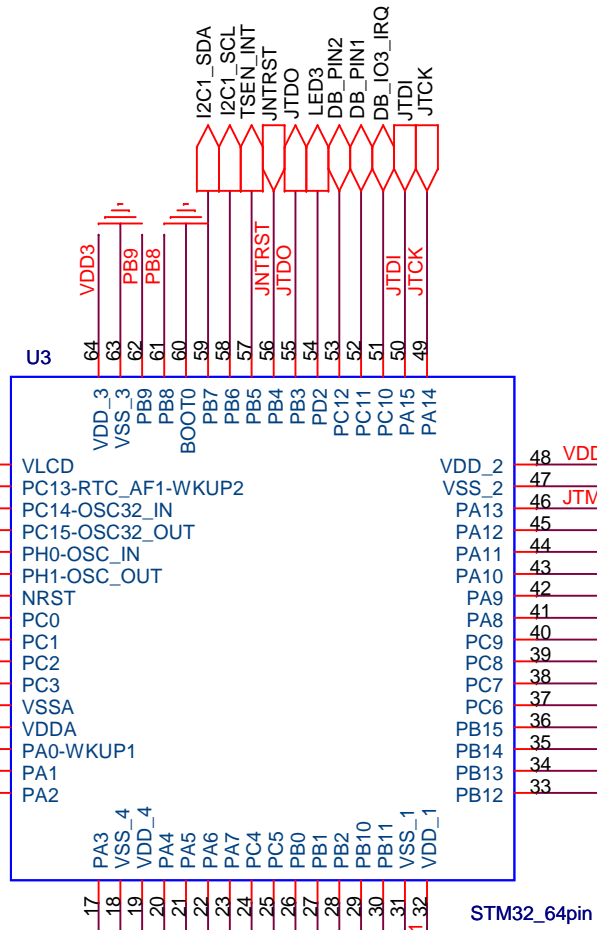
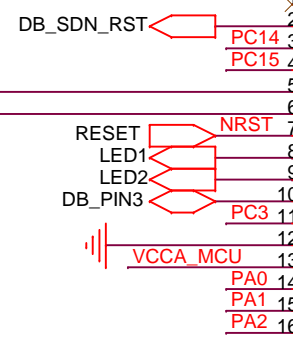
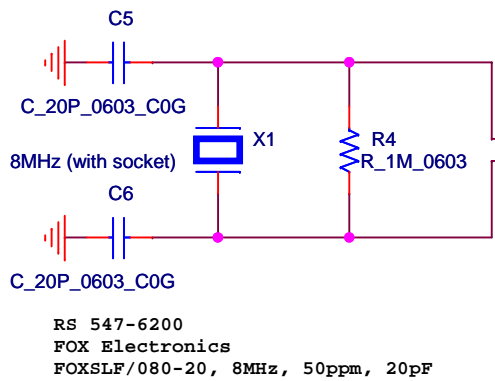
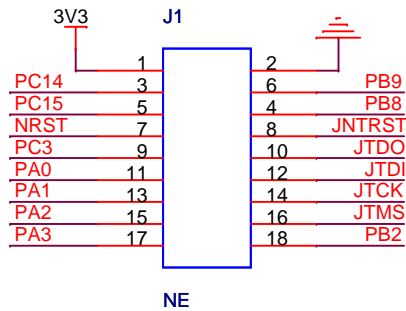
### TEMPERATURE SENSOR



### ACCELEROMETER



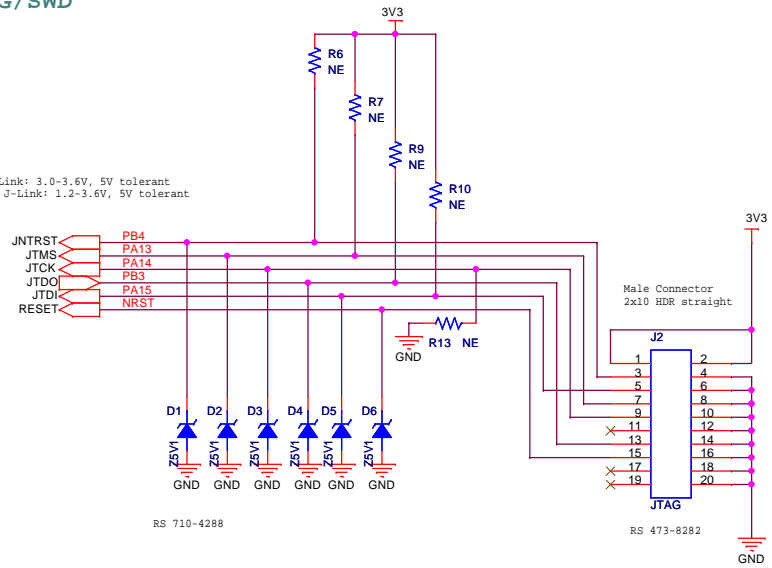
Title		
ACCELEROMETER AND TEMPERATURE SENSOR		
Size	Document Number	Rev
A	1	A
Date:	Thursday, April 11, 2013	Sheet 1 of 4



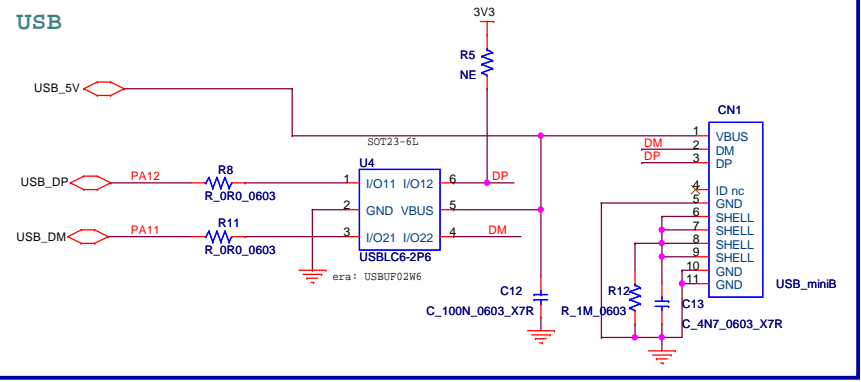
Title		
MCU		
Size	Document Number	Rev
A	1	A
Date:	Thursday, April 11, 2013	Sheet 2 of 4

### JTAG / SWD

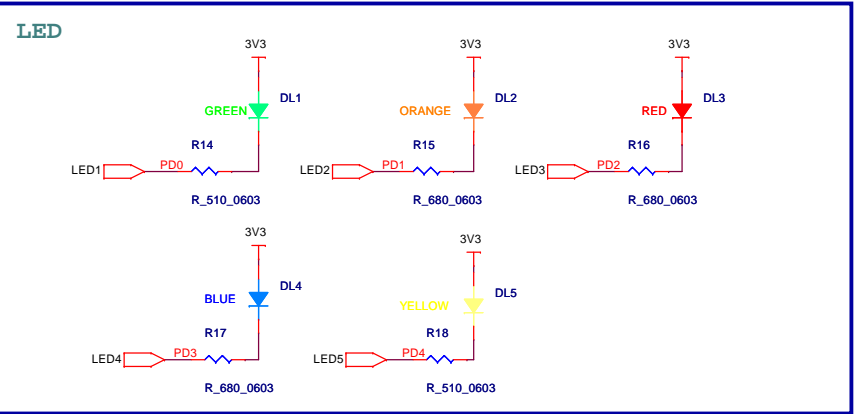
ST Link: 3.0-3.6V, 5V tolerant  
IAR v-Link: 1.2-3.6V, 5V tolerant



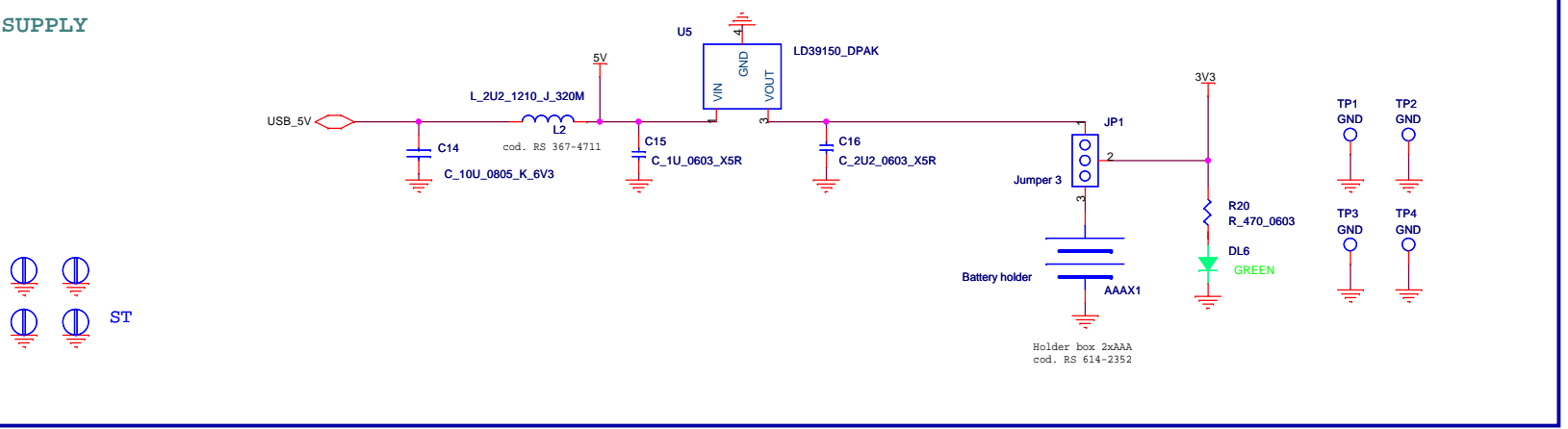
### USB



### LED

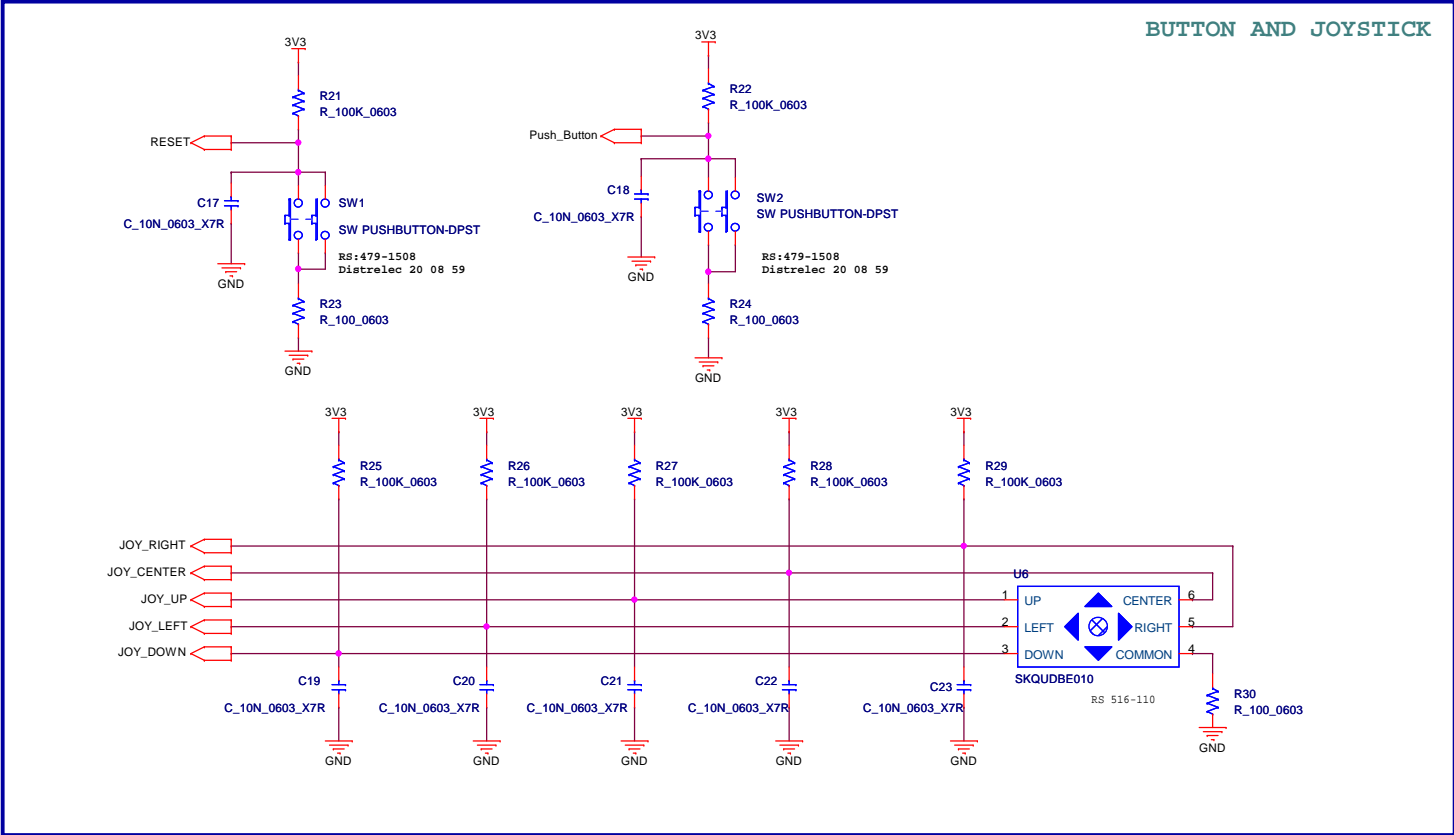


### POWER SUPPLY

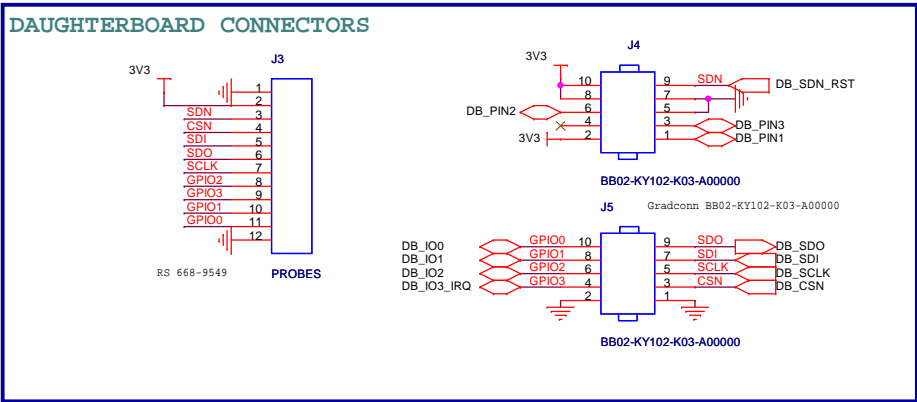


Title		
POWER SUPPLY_LED_JTAG_USB		
Size	Document Number	Rev
A3	1	A
Date:	Thursday, April 11, 2013	Sheet 3 of 4

BUTTON AND JOYSTICK

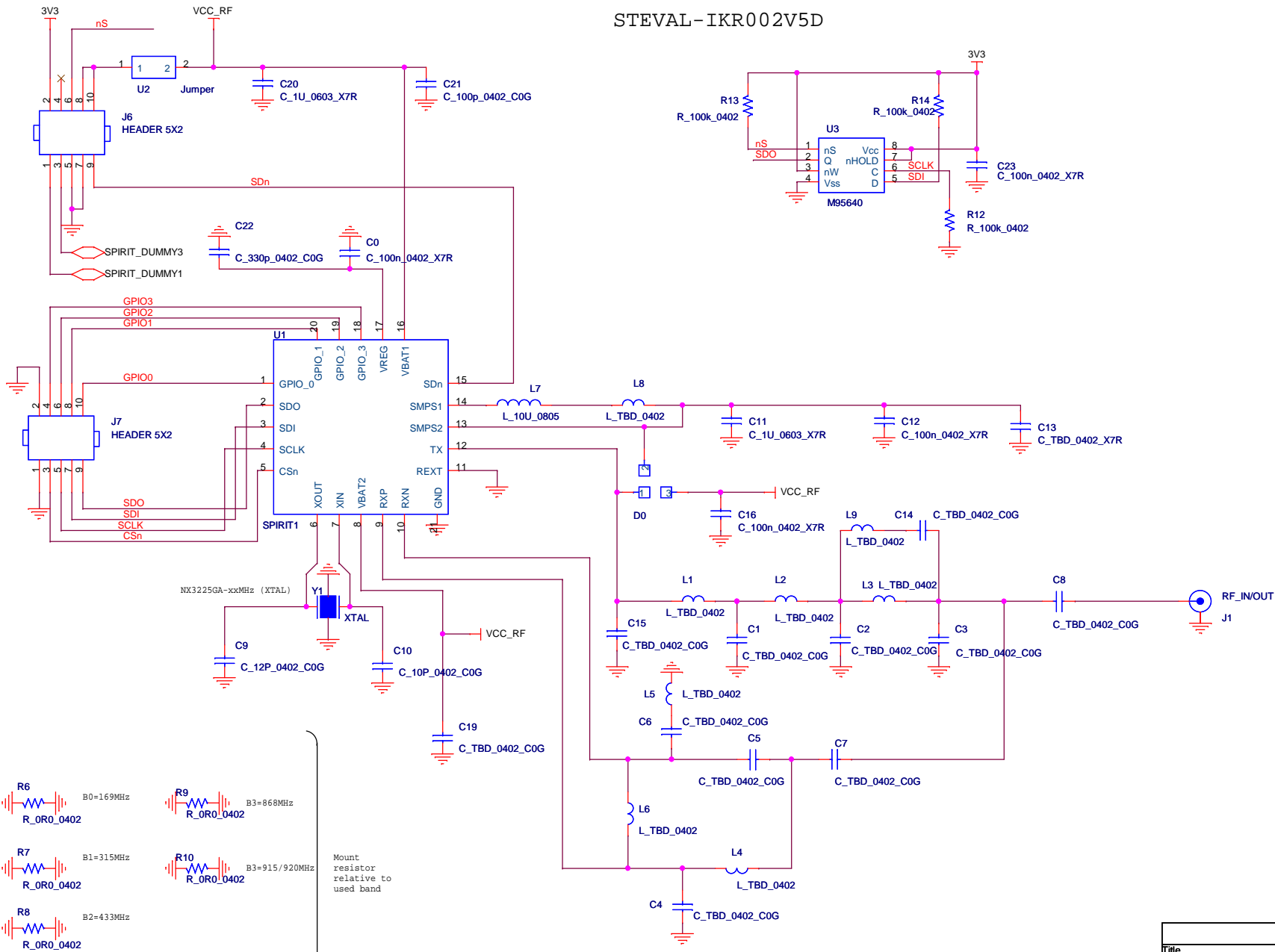


DAUGHTERBOARD CONNECTORS



Title		
CONNECTORS BUTTON AND JOYSTICK		
Size	Document Number	Rev
A3	1	A
Date:	Thursday, April 11, 2013	Sheet 4 of 4

# STEVAL-IKR002V5D



- R6 B0=169MHz  
R\_0R0\_0402
- R7 B1=315MHz  
R\_0R0\_0402
- R8 B2=433MHz  
R\_0R0\_0402
- R9 B3=868MHz  
R\_0R0\_0402
- R10 B3=915/920MHz  
R\_0R0\_0402

Mount resistor relative to used band

Title		
SPIRIT1 RF PCB vers 4		
Size	Document Number	Rev
B	1.0	1.0
Date:	Thursday, April 18, 2013	Sheet 1 of 1