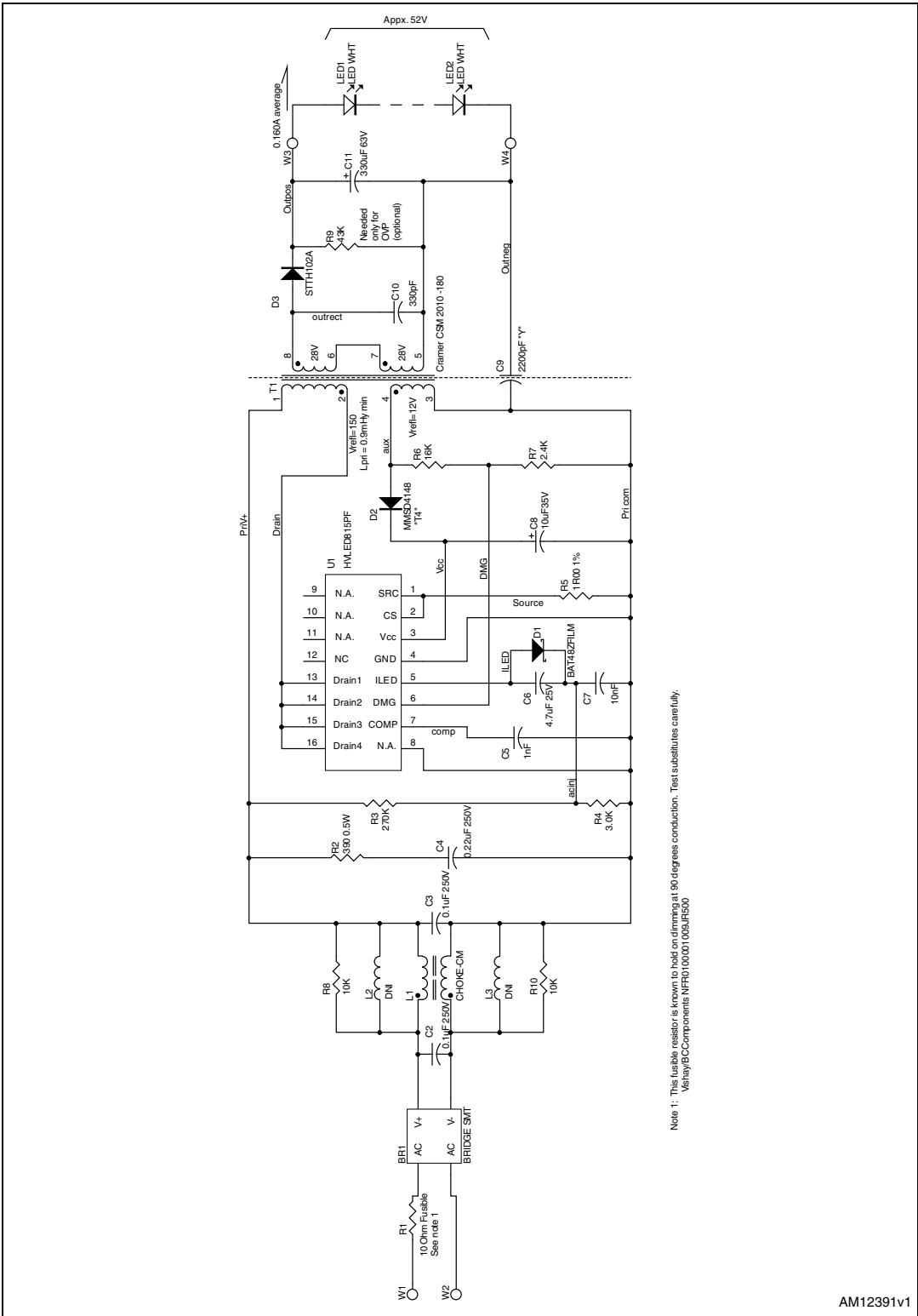


STEVAL-ILL044V1

Schematic diagram



Note 1: This fusible resistor is known to hold on dimming at 90 degrees conduction. Test substitutes carefully.
 VishayECCComponents NFR0100001008-PR500