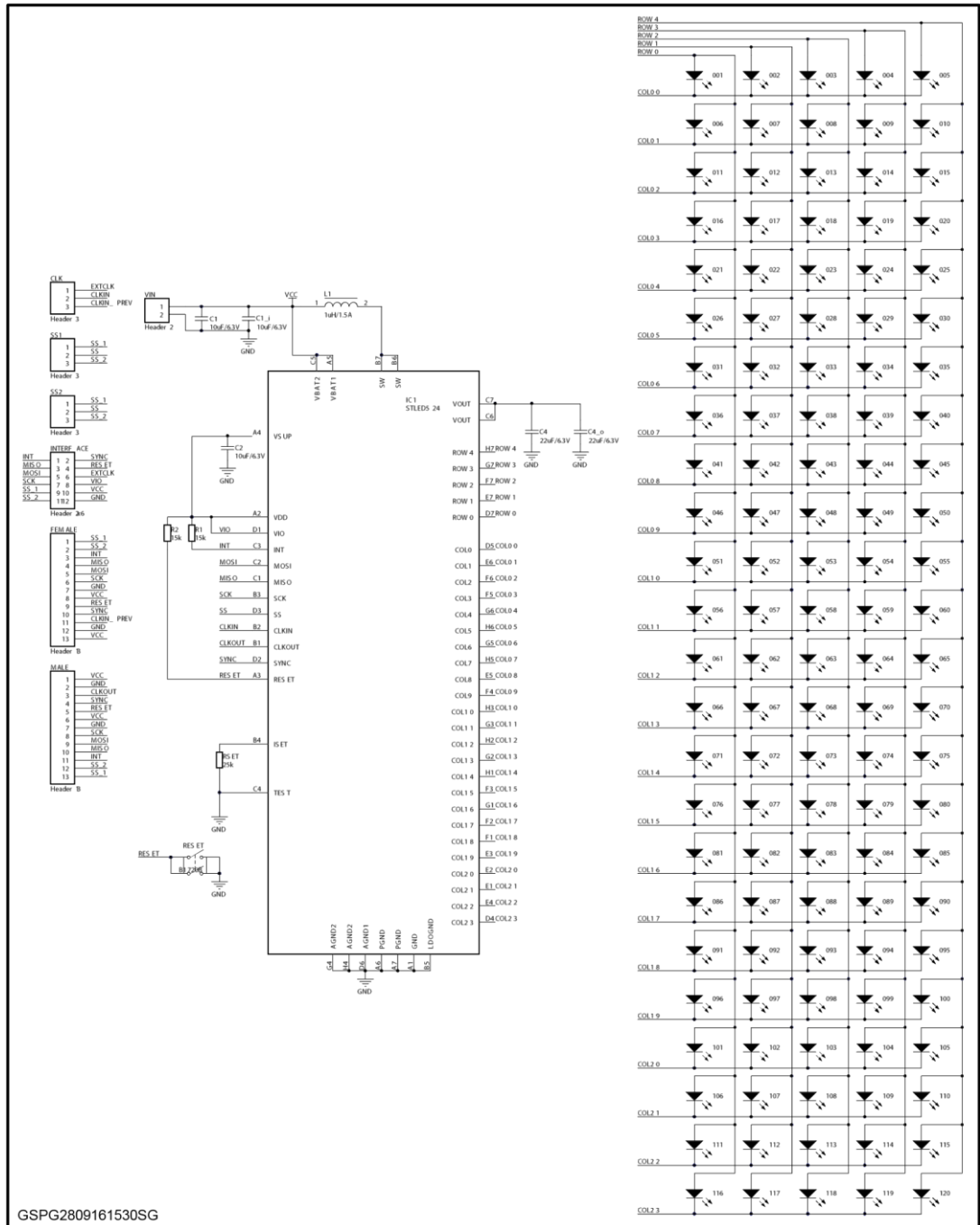


# STEVAL-LLL001V1

## Schematic diagram (main board)



# STEVAL-LLL001V1 circuit schematic (USB-I<sup>2</sup>C dongle)

GSPG2809161515SG

