

# STEVAL-SPIMD20V1

# Connector diagrams

Figure 1. AS3036.001 junction tower layout

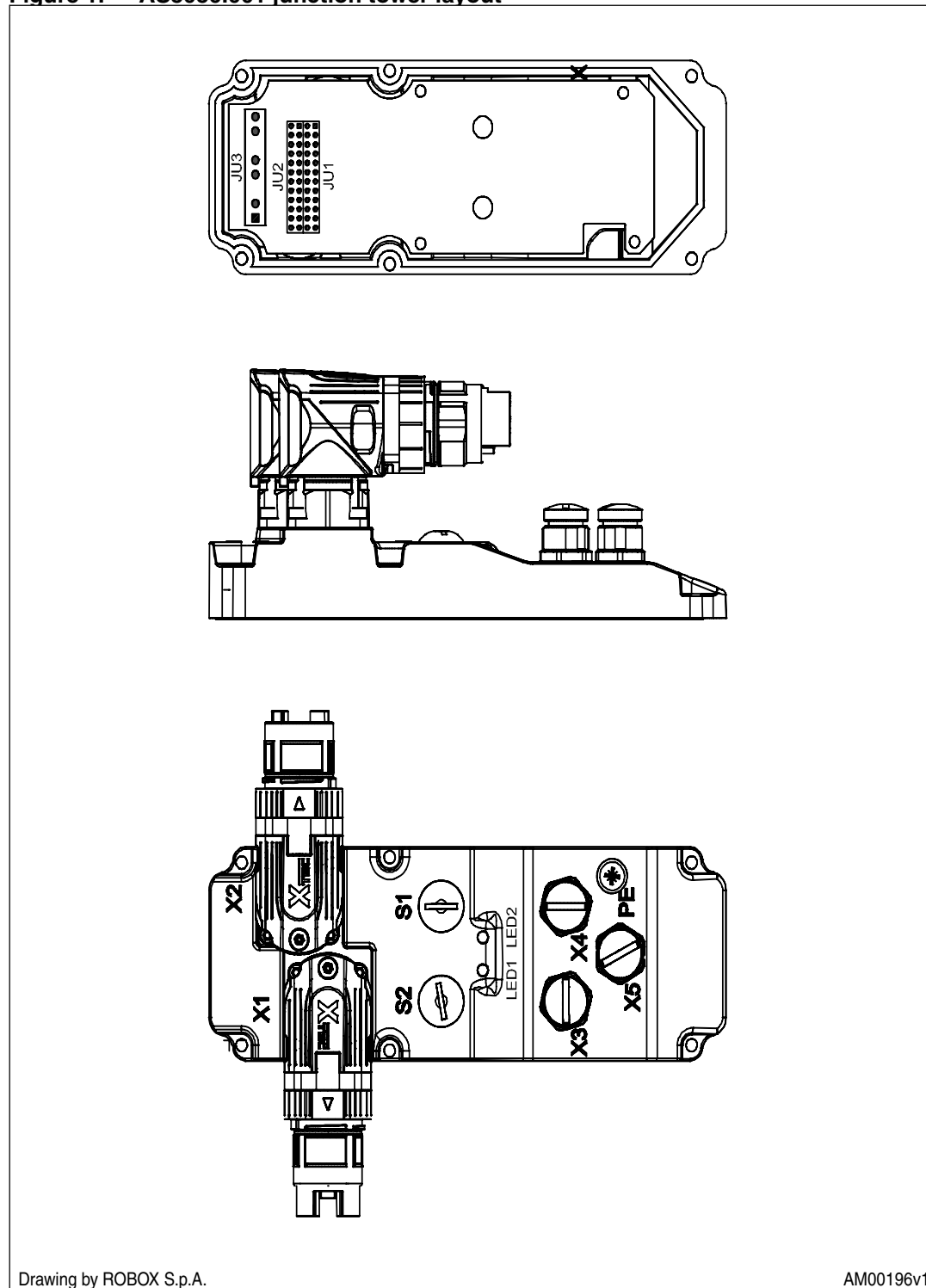


Figure 2. AS3036.001 junction tower mounting diagram

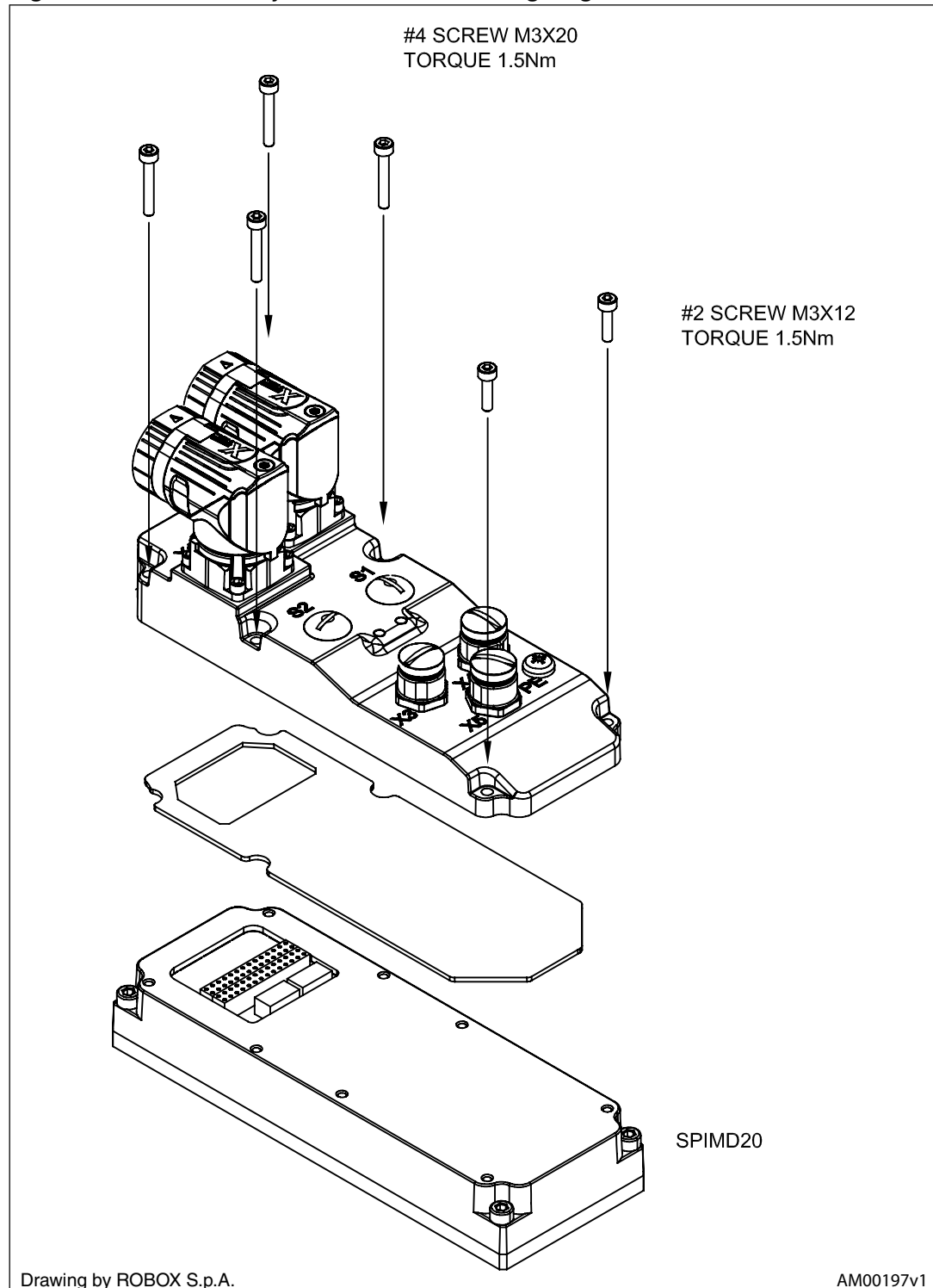


Figure 3. AS3036.001 junction tower connector

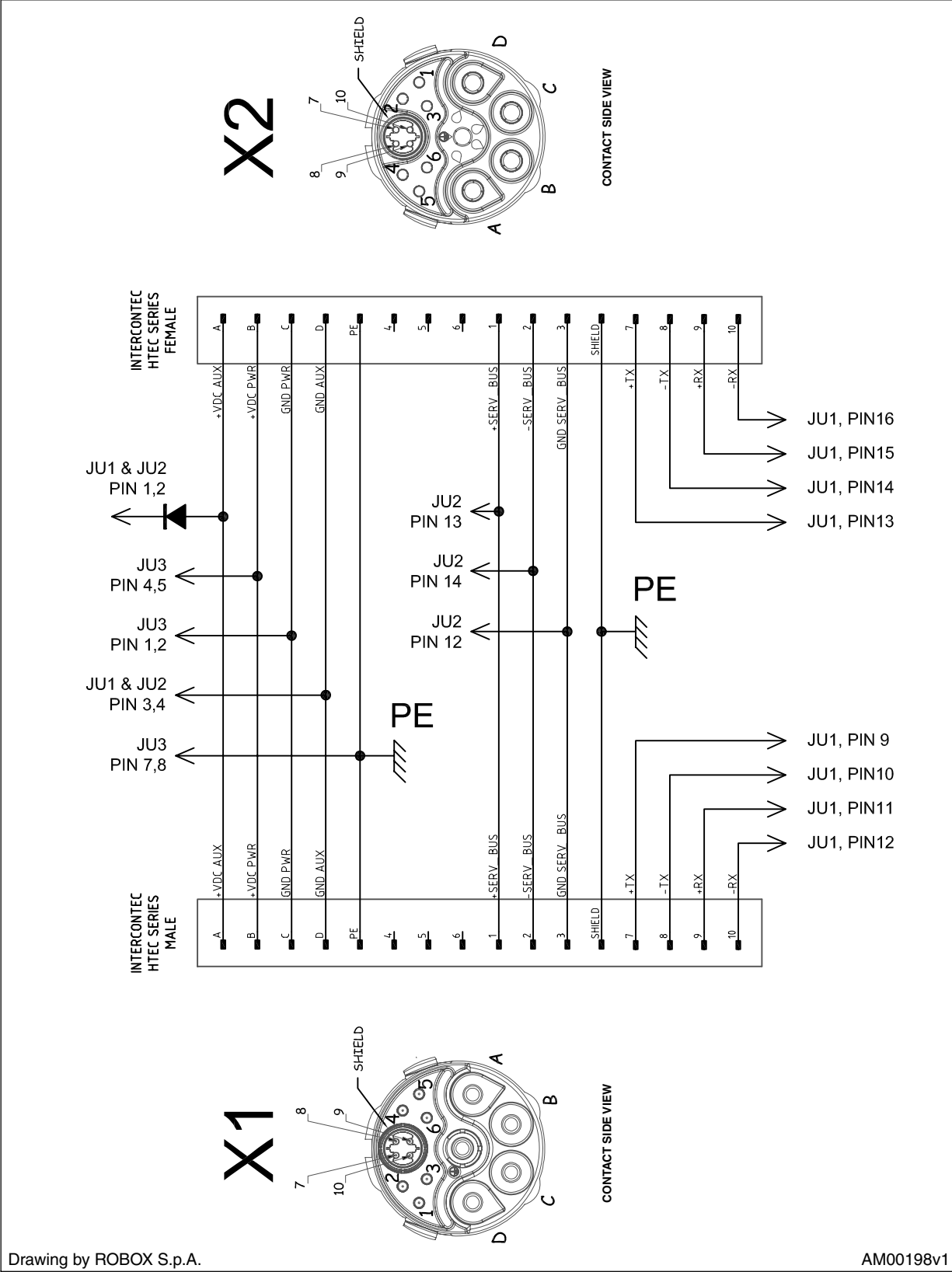


Figure 4. CAVO1SPIMD/2.5 connector

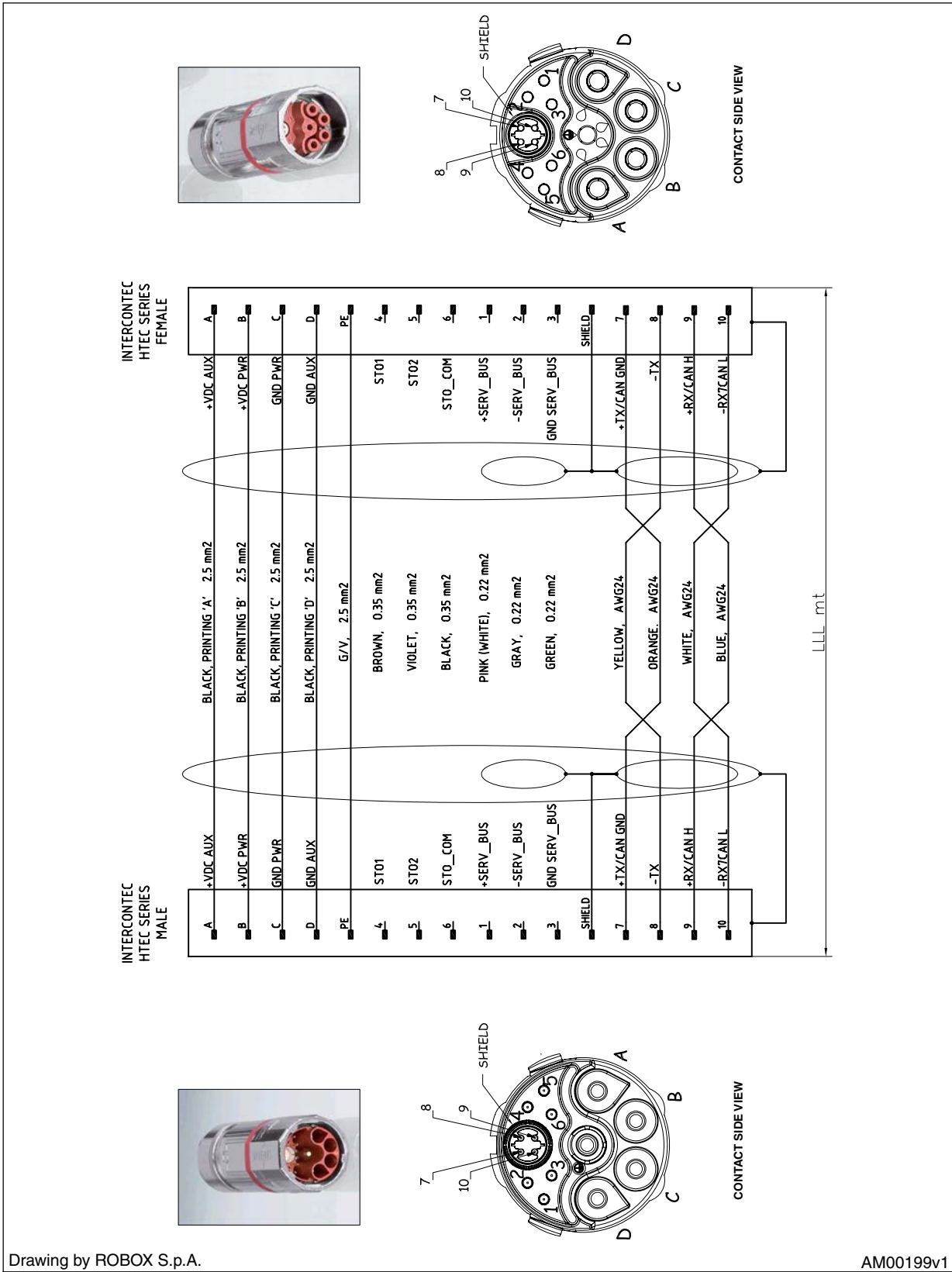


Figure 5. CAVO2SPIMD/2.5/2 connector

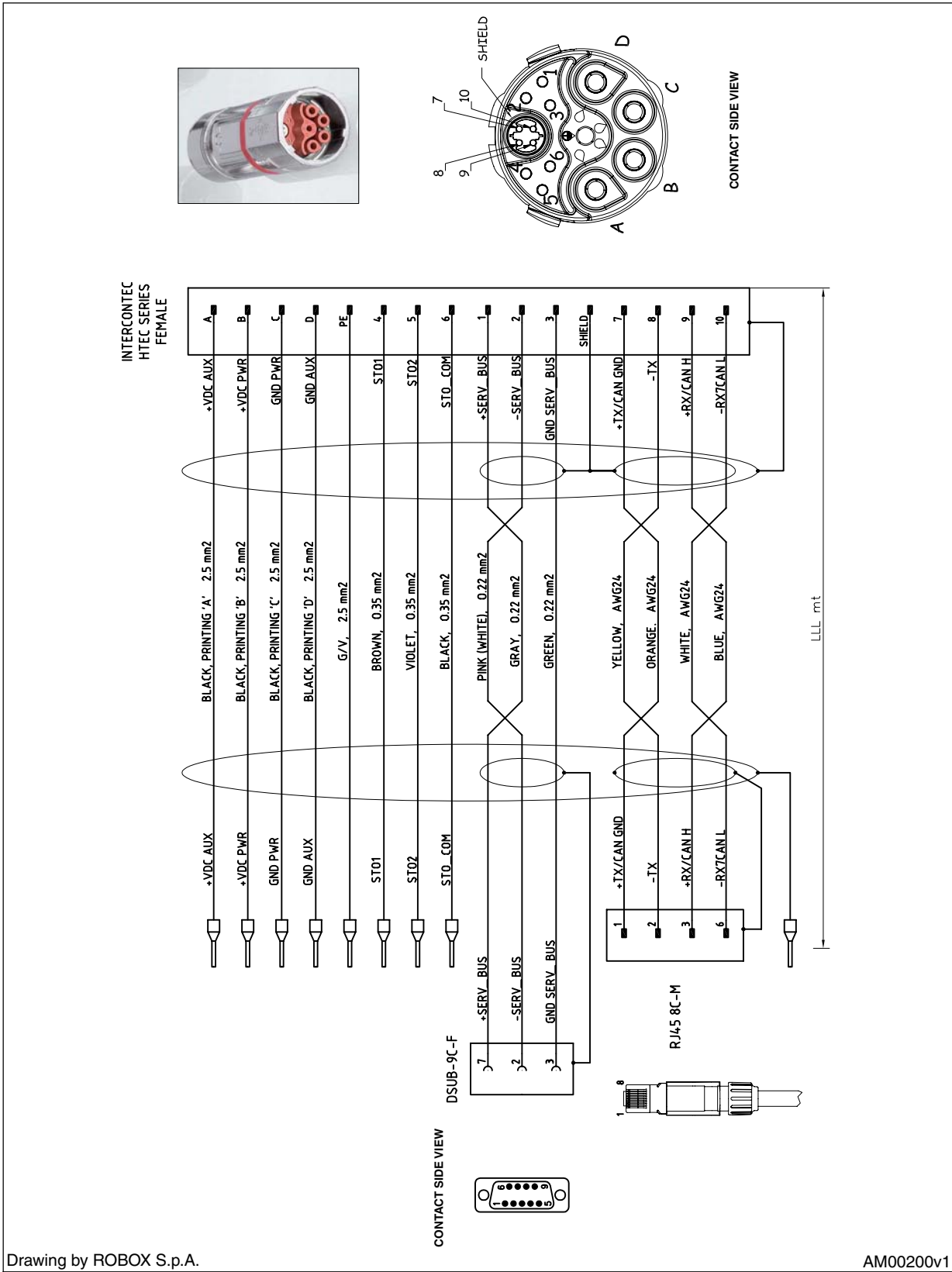


Figure 6. CAVO1SPIMD terminal

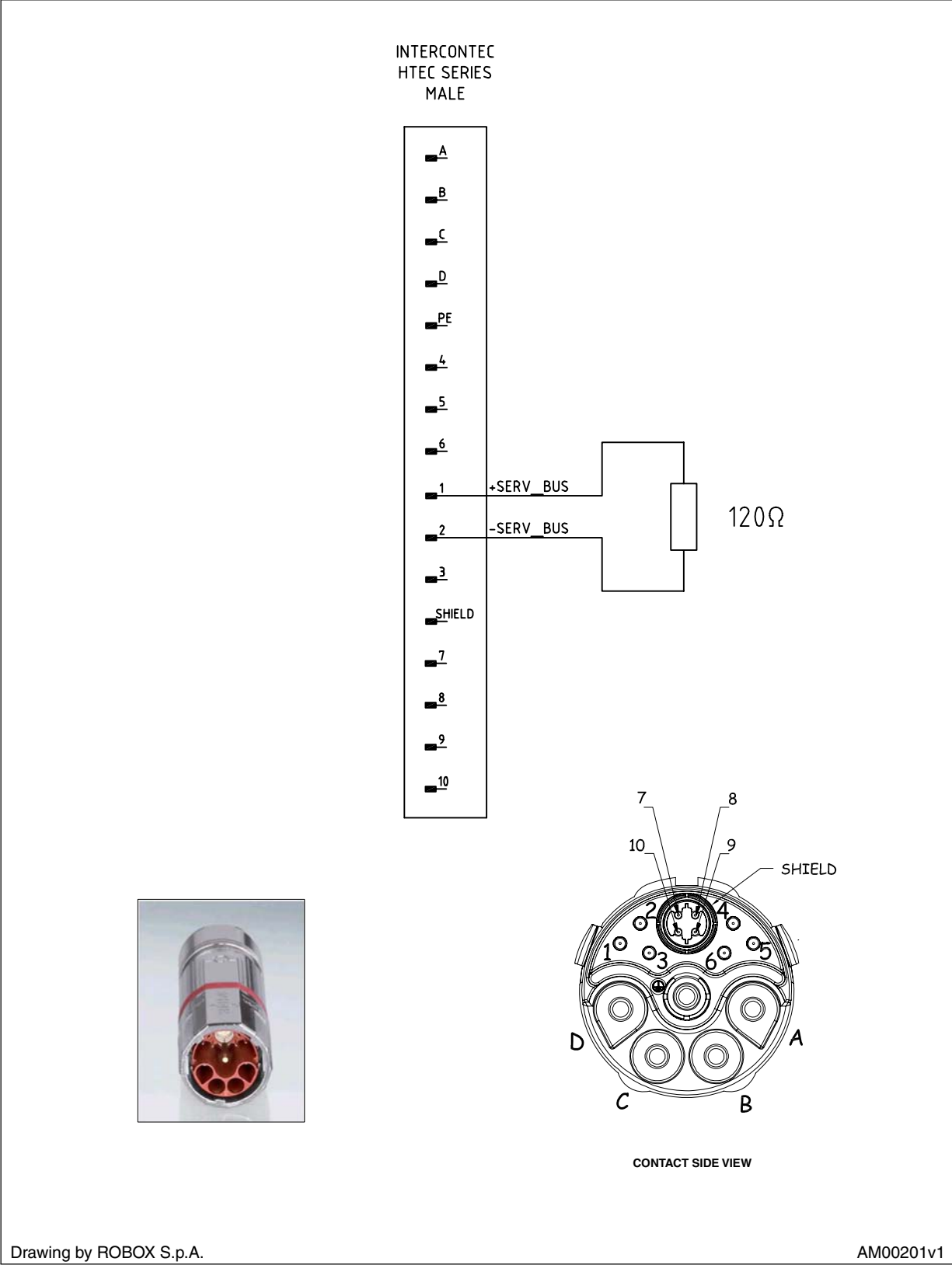


Figure 7. CAVO1SPIMD/RS232/1.5 connector diagram

