

# X-NUCLEO-NFC13A1 Expansion Board

X-NUCLEO-NFC13A1-XN\$NFC13A1A

## Table of contents

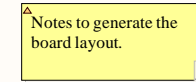
Sheet 1: Project Overview  
Sheet 2: Top  
Sheet 3: Connectors  
Sheet 4: ST25R210  
Sheet 5: Matching and Antenna

## Legend

General comment such as function title, configuration, ...

Text to be added to silkscreen.

Warning text.



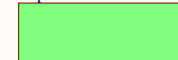
## Open Platform License Agreement

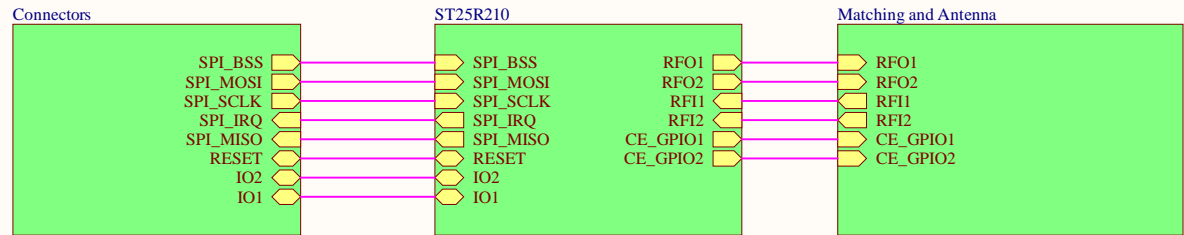
The Open Platform License Agreement (“Agreement”) is a binding legal contract between you (“You”) and STMicroelectronics International N.V. (“ST”), a company incorporated under the laws of the Netherlands acting for the purpose of this Agreement through its Swiss branch 39, Chemin du Champ des Filles, 1228 Plan-les-Ouates, Geneva, Switzerland.

By using the enclosed reference designs, schematics, PC board layouts, and documentation, in hardcopy or CAD tool file format (collectively, the “Reference Material”), You are agreeing to be bound by the terms and conditions of this Agreement. Do not use the Reference Material until You have read and agreed to this Agreement terms and conditions. The use of the Reference Material automatically implies the acceptance of the Agreement terms and conditions.

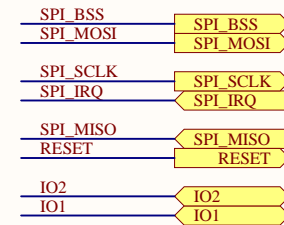
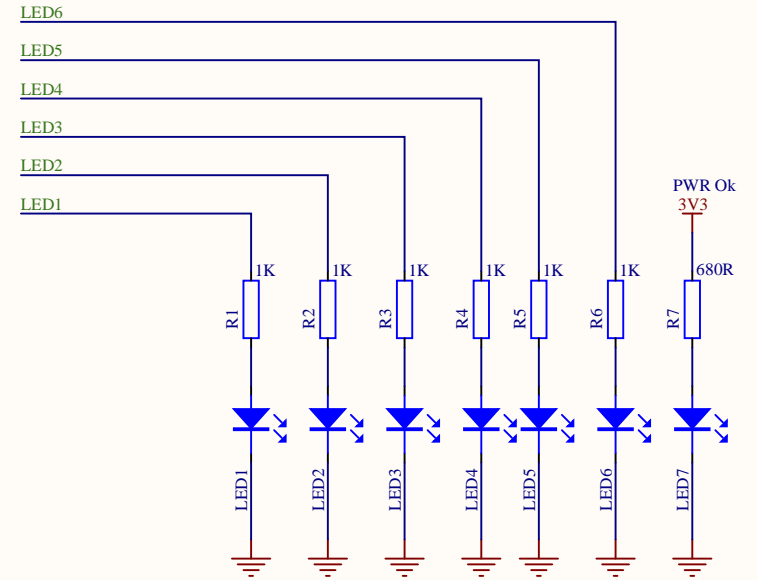
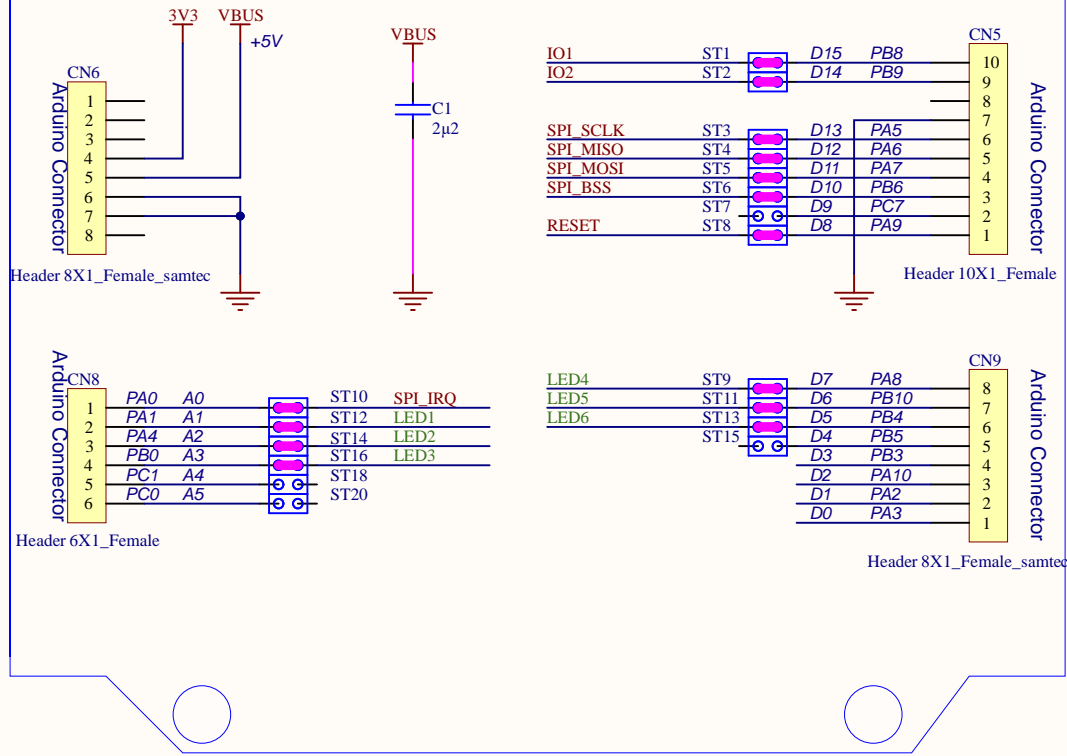
The complete Open Platform License Agreement can be found on [www.st.com/opla](http://www.st.com/opla).

Top  
Top.SchDoc

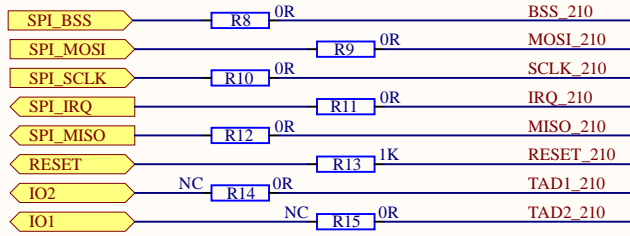




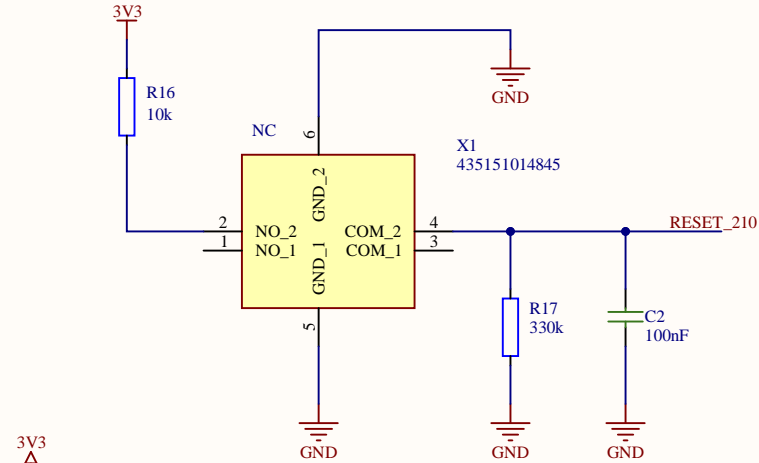
## Extension connectors



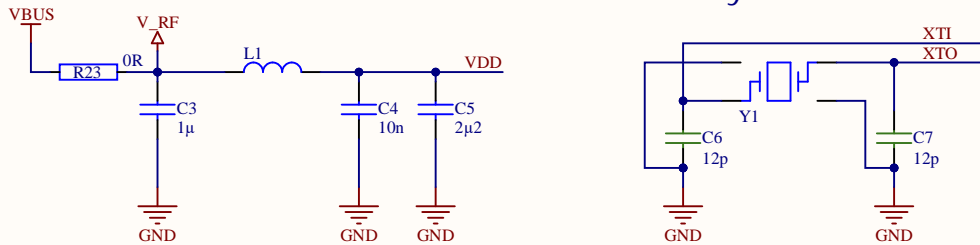
# ST25R210 HF Reader



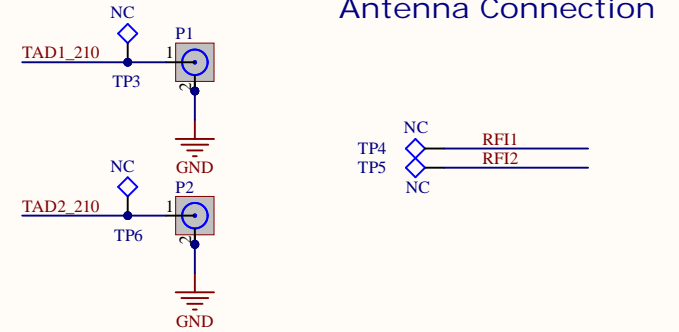
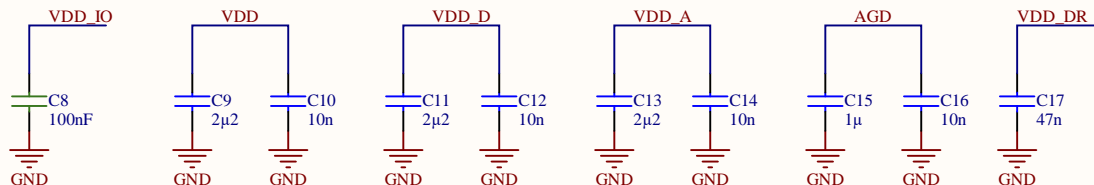
## Reset circuit



## Crystal circuit



## VDD\_TX



## Antenna Connection

