

STR9 Flash extension

Introduction

This user manual describes the STR9 Flash extension hardware. As well as the block diagram and schematics of the extension, a bill of materials and assembly instructions are also included.

The STR9 Flash extension is used to connect to the extended connector of the STR9 dongle, thus increasing the mass storage capacity of an application. The NAND Flash technology allows the storage of up to 1 GB through a parallel interface. A basic driver is available for data access from the Flash extension.

Figure 1. STR9 Flash extension board



Contents

- 1 STR9 Flash module 3**
 - 1.1 Block diagram 3
 - 1.2 Schematics 3
 - 1.3 NAND0xG 4
 - 1.4 PCB layout 5
 - 1.5 Bill of materials and assembly instructions 6

- 2 Revision history 7**

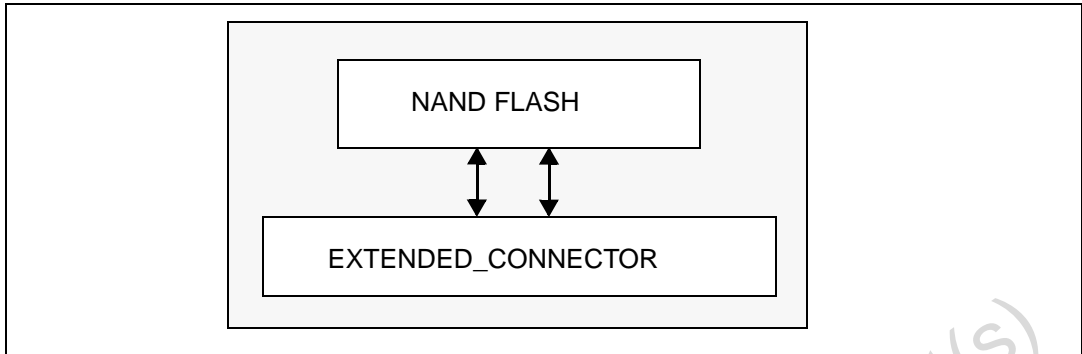
Obsolete Product(s) - Obsolete Product(s)

1 STR9 Flash extension

1.1 Block diagram

This board is designed for connection with the STR9 dongle through its extended connector.

Figure 2. STR9 Flash extension



Main board features:

- ST NAND Flash up to 8 Gbits (1 GB)

1.2 Schematics

Figure 3. STR9 Flash extension schematics

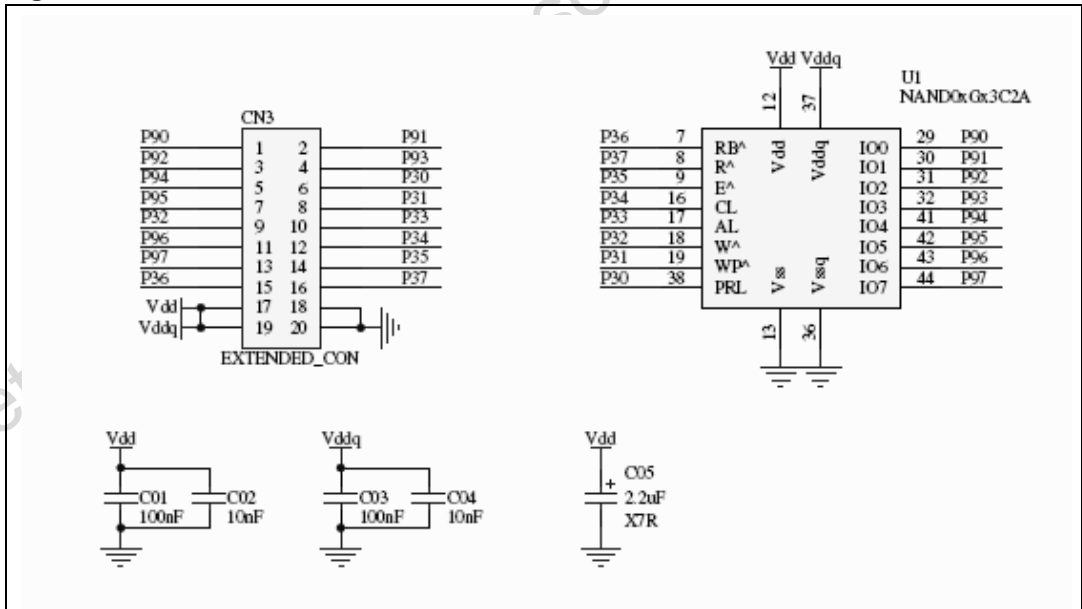


Table 1. Extended connector

Connector pin	Flash data	Flash control
P90	IO0	-
P91	IO1	-
P92	IO2	-
P93	IO3	-
P94	IO4	-
P30	-	PRL
P95	IO5	-
P31	-	\overline{WP}
P32	-	\overline{W}
P33	-	AL
P96	IO6	-
P34	-	CL
P97	IO7	-
P35	-	\overline{E}
P36	-	\overline{RB}
P37	-	\overline{R}

1.3 NAND0xG devices

NAND0xG logic diagram and list of signals are shown in [Figure 4](#) and [Table 2](#). For further information, refer to the datasheet for the relevant NAND Flash memory.

Figure 4. NAND0xG logic diagram

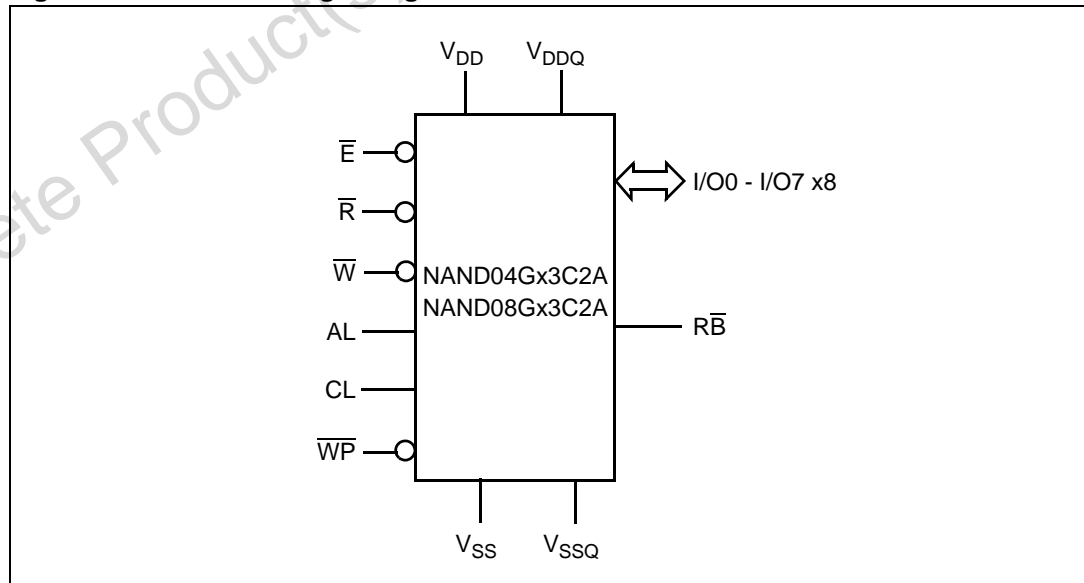


Table 2. NAND0xG list of signals

Pin	Description
I/O0 - I/O7	Data inputs/outputs
CL	Command latch enable
AL	Address latch enable
\bar{E}	Chip enable
\bar{R}	Read enable
\bar{W}	Write enable
\bar{WP}	Write protect
\bar{RB}	Read/busy (open drain output)
V _{DD}	Power supply
V _{DDQ}	I/O power
V _{SS}	Ground
V _{SSQ}	I/O power
NC	No connection
DU	Do not use

1.4 PCB layout

Figure 5. Top view

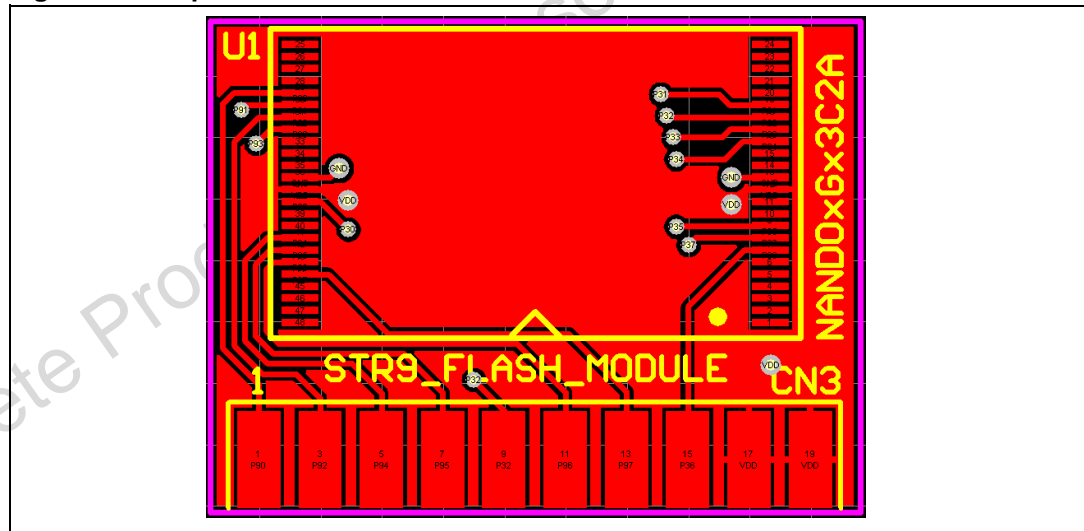
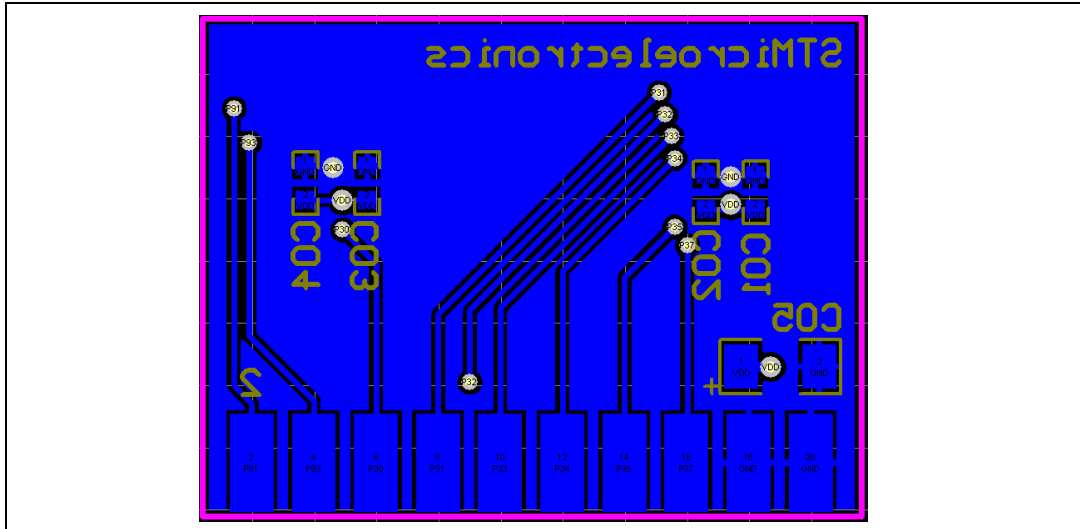


Figure 6. Bottom view



1.5 Bill of materials and assembly recommendations

Table 3. Bill of materials and assembly recommendations

Label	Comment	Footprint	Description	Assembly	Order code
C01	Capacitor	603	100nF	YES	Farnell: 422-6859 (X7R)
C02	Capacitor	603	10nF	YES	Farnell: 422-6938 (X7R)
C03	Capacitor	603	100nF	YES	Farnell: 422-6859 (X7R)
C04	Capacitor	603	10nF	YES	Farnell: 422-6938 (X7R)
C05	Pol. Capacitor	1206	2.2uF	Recommended	Farnell: 422-7323 (X7R)
CN3	2x10 Header	HDR2X10	EXTENDED_CON	YES	GM: BL220G
U1	NAND FLASH	TSOP48	NAND0xGx3C2A	YES	ST: NAND0xGx3C2A

2 Revision history

Table 4. Document revision history

Date	Revision	Changes
19-Jan-2007	1	Initial release.
13-Nov-2007	2	Updated Figure 1: STR9 Flash extension board .

Obsolete Product(s) - Obsolete Product(s)

Please Read Carefully:

Information in this document is provided solely in connection with ST products. STMicroelectronics NV and its subsidiaries ("ST") reserve the right to make changes, corrections, modifications or improvements, to this document, and the products and services described herein at any time, without notice.

All ST products are sold pursuant to ST's terms and conditions of sale.

Purchasers are solely responsible for the choice, selection and use of the ST products and services described herein, and ST assumes no liability whatsoever relating to the choice, selection or use of the ST products and services described herein.

No license, express or implied, by estoppel or otherwise, to any intellectual property rights is granted under this document. If any part of this document refers to any third party products or services it shall not be deemed a license grant by ST for the use of such third party products or services, or any intellectual property contained therein or considered as a warranty covering the use in any manner whatsoever of such third party products or services or any intellectual property contained therein.

UNLESS OTHERWISE SET FORTH IN ST'S TERMS AND CONDITIONS OF SALE ST DISCLAIMS ANY EXPRESS OR IMPLIED WARRANTY WITH RESPECT TO THE USE AND/OR SALE OF ST PRODUCTS INCLUDING WITHOUT LIMITATION IMPLIED WARRANTIES OF MERCHANTABILITY, FITNESS FOR A PARTICULAR PURPOSE (AND THEIR EQUIVALENTS UNDER THE LAWS OF ANY JURISDICTION), OR INFRINGEMENT OF ANY PATENT, COPYRIGHT OR OTHER INTELLECTUAL PROPERTY RIGHT.

UNLESS EXPRESSLY APPROVED IN WRITING BY AN AUTHORIZED ST REPRESENTATIVE, ST PRODUCTS ARE NOT RECOMMENDED, AUTHORIZED OR WARRANTED FOR USE IN MILITARY, AIR CRAFT, SPACE, LIFE SAVING, OR LIFE SUSTAINING APPLICATIONS, NOR IN PRODUCTS OR SYSTEMS WHERE FAILURE OR MALFUNCTION MAY RESULT IN PERSONAL INJURY, DEATH, OR SEVERE PROPERTY OR ENVIRONMENTAL DAMAGE. ST PRODUCTS WHICH ARE NOT SPECIFIED AS "AUTOMOTIVE GRADE" MAY ONLY BE USED IN AUTOMOTIVE APPLICATIONS AT USER'S OWN RISK.

Resale of ST products with provisions different from the statements and/or technical features set forth in this document shall immediately void any warranty granted by ST for the ST product or service described herein and shall not create or extend in any manner whatsoever, any liability of ST.

ST and the ST logo are trademarks or registered trademarks of ST in various countries.

Information in this document supersedes and replaces all information previously supplied.

The ST logo is a registered trademark of STMicroelectronics. All other names are the property of their respective owners.

© 2007 STMicroelectronics - All rights reserved

STMicroelectronics group of companies

Australia - Belgium - Brazil - Canada - China - Czech Republic - Finland - France - Germany - Hong Kong - India - Israel - Italy - Japan - Malaysia - Malta - Morocco - Singapore - Spain - Sweden - Switzerland - United Kingdom - United States of America

www.st.com