

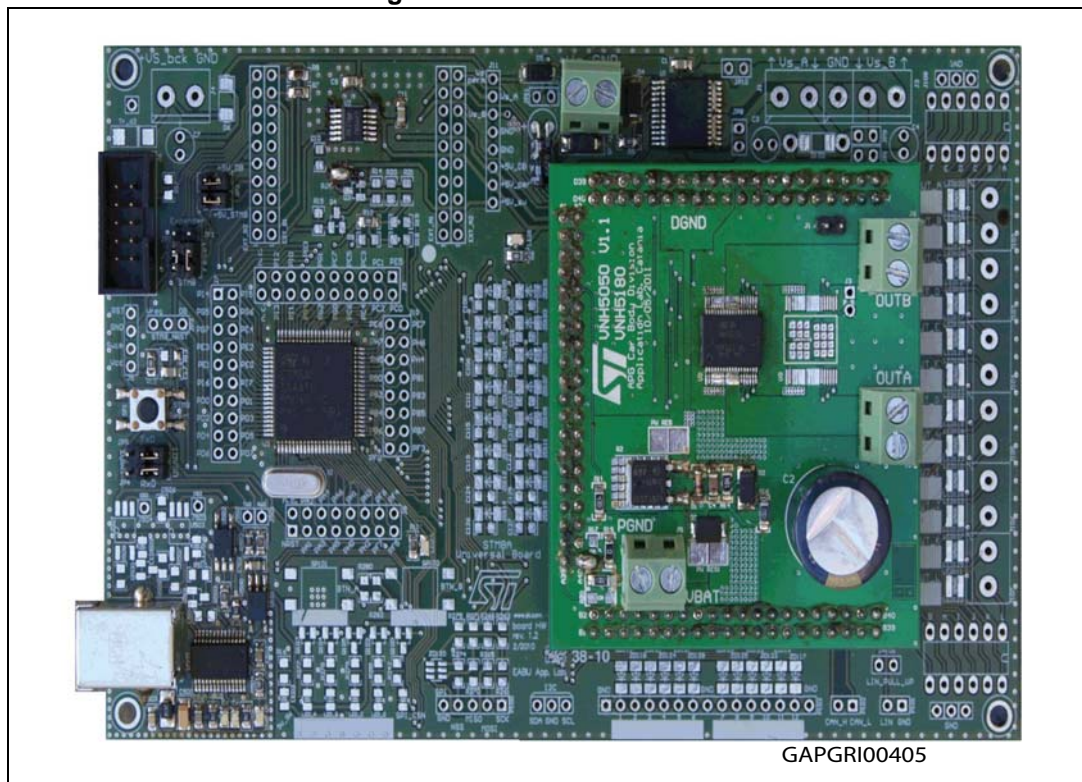
### STEVAL-VNH5050A Evaluation board

## Introduction

STEVAL-VNH5050A offers dedicated power stage and controls suitable for electric DC motor driving. This evaluation board features the VNH5050A. It is an H-bridge belonging to the VNH Motor Driver series based on VIPower<sup>®</sup> proprietary technology. Typical applications are dual washer pump and seat regulation.

This evaluation board consists of a motherboard (STM8 Universal Board) and a daughter-board. The motherboard, based on STM8 microcontroller, provides the logic section for monitoring and driving the VNH5050A assembled in the daughter-board. With the aim of simplifying board usage and settings, ST provides dedicated and user-friendly software including a Graphic User Interface (GUI). The GUI allows setting VNH5050A parameters (PWM, Motor direction...), while showing real time device diagnostic information, such as current output evolution, battery voltage monitoring, board temperature and much more.

Figure 1. STEVAL-VNH5050A



# Contents

- 1      **Hardware description and setup** ..... 4**
- 1.1    Components description ..... 4
- 1.2    Board connections and setup ..... 4
  
- 2      **Software installation** ..... 6**
- 2.1    USB Driver installation ..... 6
- 2.2    Graphical User Interface (GUI) installation ..... 7
  
- 3      **Graphical User Interface** ..... 8**
  
- 4      **Revision history** ..... 10**



## List of figures

|            |                                       |   |
|------------|---------------------------------------|---|
| Figure 1.  | STEVAL-VNH5050A.....                  | 1 |
| Figure 2.  | STEVAL-VNH5050A block diagram .....   | 4 |
| Figure 3.  | STEVAL-VNH5050A connections.....      | 5 |
| Figure 4.  | Driver installation window (1/2)..... | 6 |
| Figure 5.  | Driver installation window (2/2)..... | 6 |
| Figure 6.  | GUI installation (1/2).....           | 7 |
| Figure 7.  | GUI installation (2/2).....           | 7 |
| Figure 8.  | Main Window (1/2) .....               | 8 |
| Figure 9.  | Main Window (2/2) .....               | 8 |
| Figure 10. | Current measurement (Graph) .....     | 9 |
| Figure 11. | Driving profiles .....                | 9 |

# 1 Hardware description and setup

This section provides a description of the main components of this evaluation kit, giving instruction for a quick setup of the motor control system.

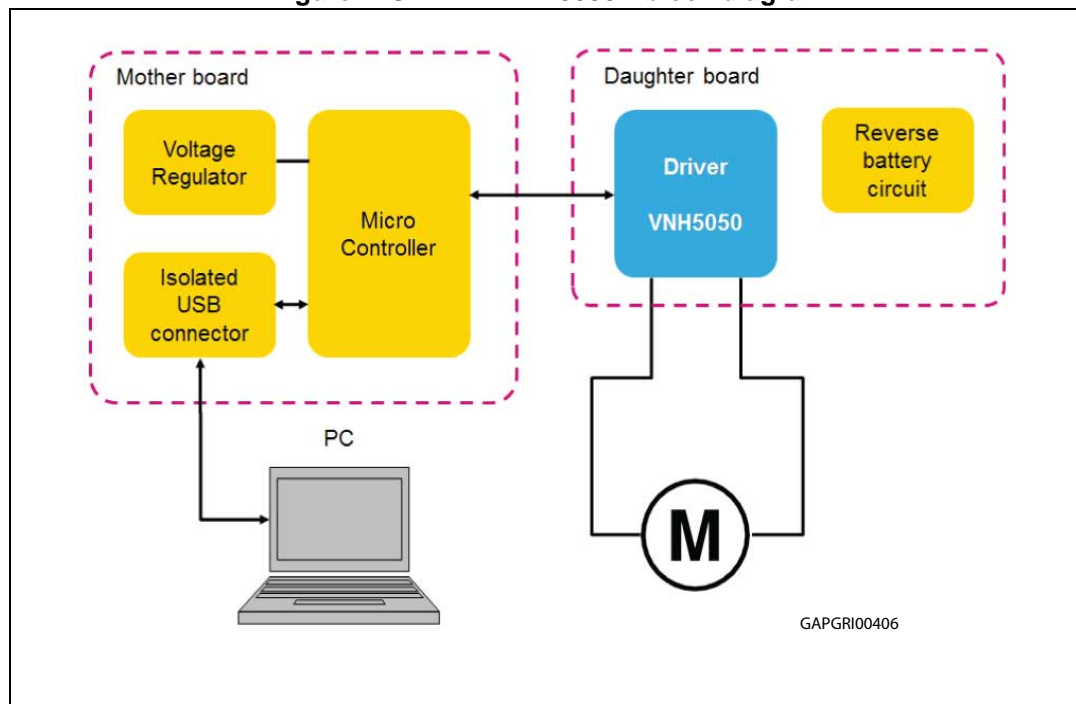
## 1.1 Components description

The evaluation kit consists of two main components:

- Mother board based on STM8A microcontroller, interfacing host PC with H-Bridge controller. The communication with the PC is established through isolated USB.
- Daughter Board assembling VN5050A and the reverse battery protection. The DC motor has to be connected to this module.

The daughter board and the mother board are provided already properly plugged .

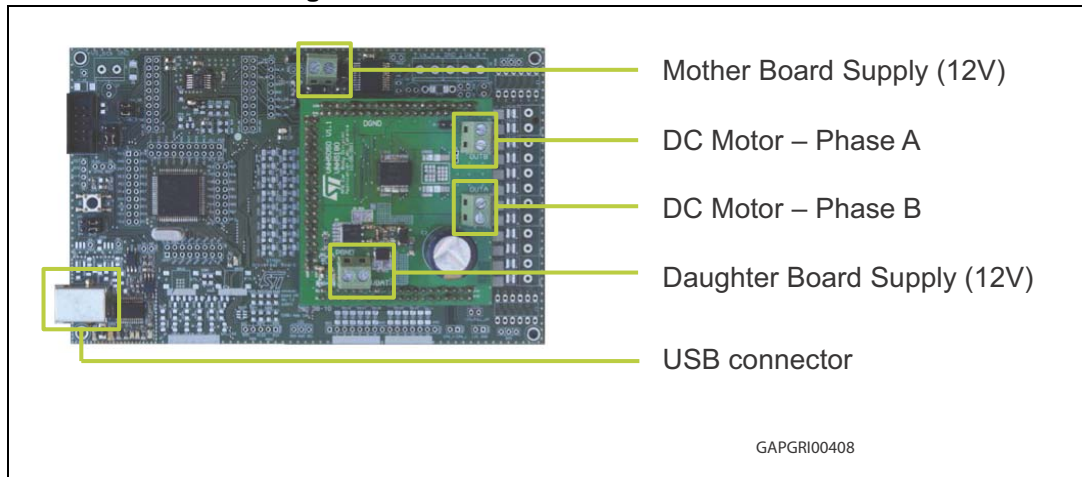
Figure 2. STEVAL-VNH5050A block diagram



## 1.2 Board connections and setup

Below figure shows the placement of the connectors to be used for supplying the evaluation board, plugging the electric DC motor and connecting with a host PC through USB cable.

**Figure 3. STEVAL-VNH5050A connections**



GAPGRI00408

Jumpers are already set in their default position.

**Table 1. Motherboard jumper configuration**

| Jumper | Description | Default Position |
|--------|-------------|------------------|
| JP2    | + 5V_DB     | Not present      |
| JP2    | + 5V_STM8   | Present          |
| JP4    | RxD         | USART            |
| JP5    | TxD         | USART            |
| JP6    | Reset       | STM8             |
| JP7    | Swim        | STM8             |

## 2 Software installation

### 2.1 USB Driver installation

The following installation procedure starts automatically after plugging the Evaluation Board to the host PC.

Figure 4. Driver installation window (1/2)

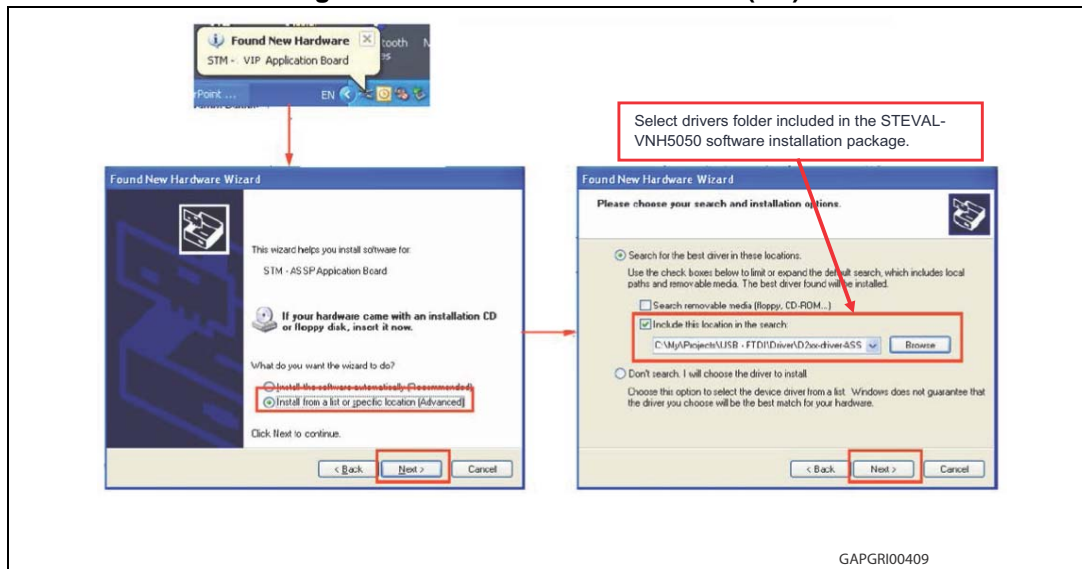
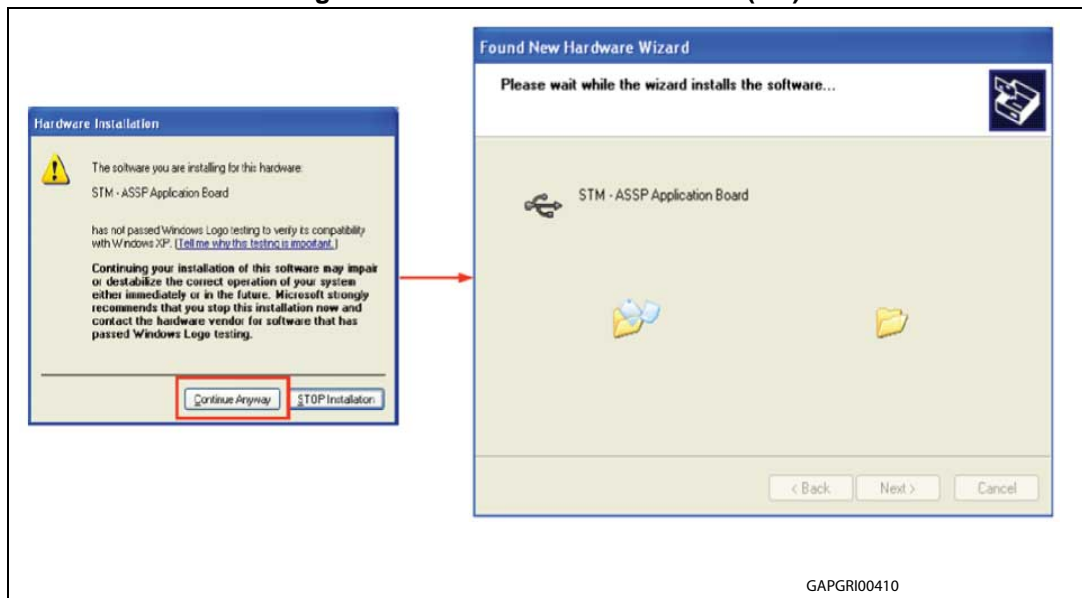


Figure 5. Driver installation window (2/2)



## 2.2 Graphical User Interface (GUI) installation

Launching Setup.exe, GUI installs to the destination folder indicated by the wizard.

Default folder is "C:\Program Files(x86)\VNHFULLBridge", but the user is free to indicate another path name and folder.

Figure 6. GUI installation (1/2)

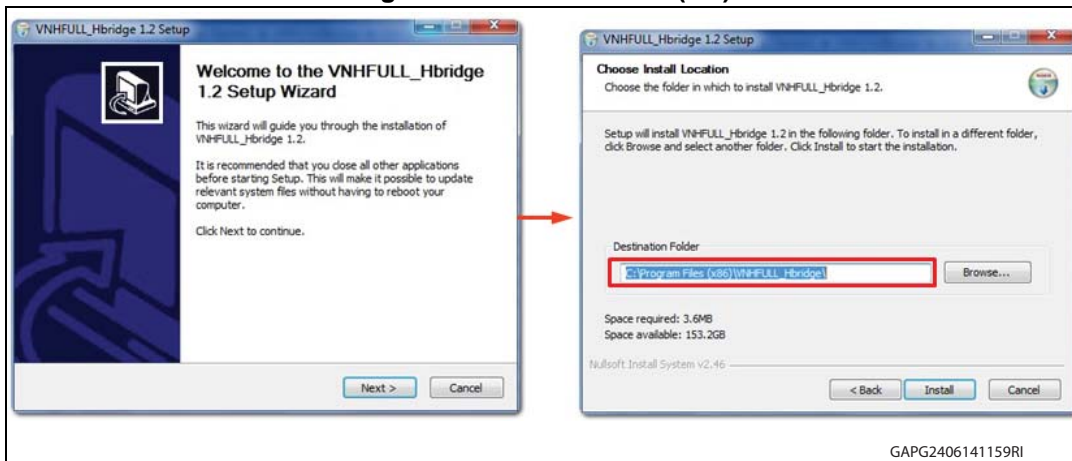
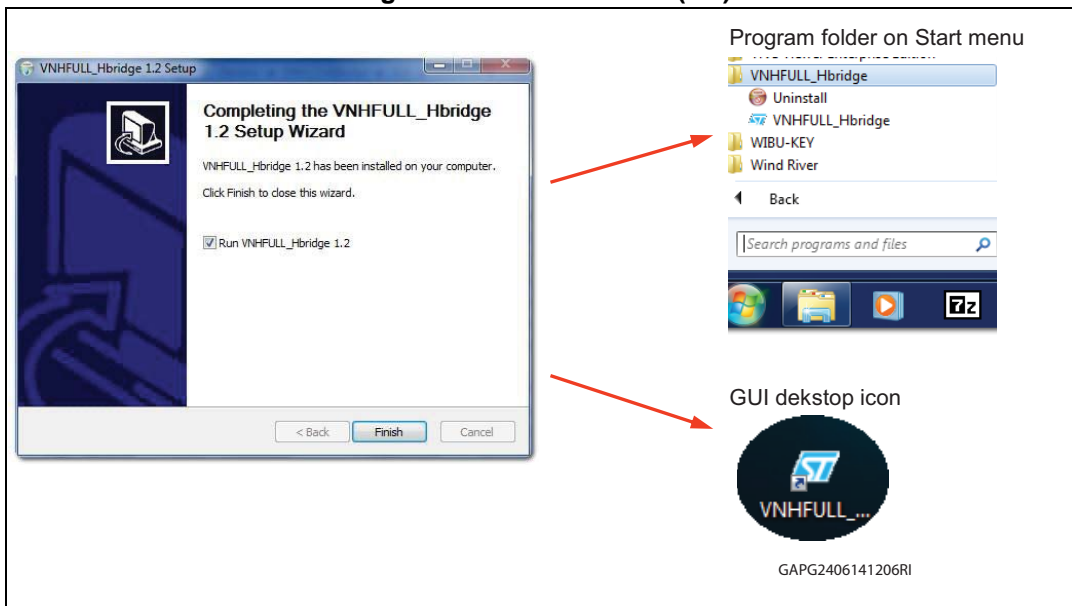


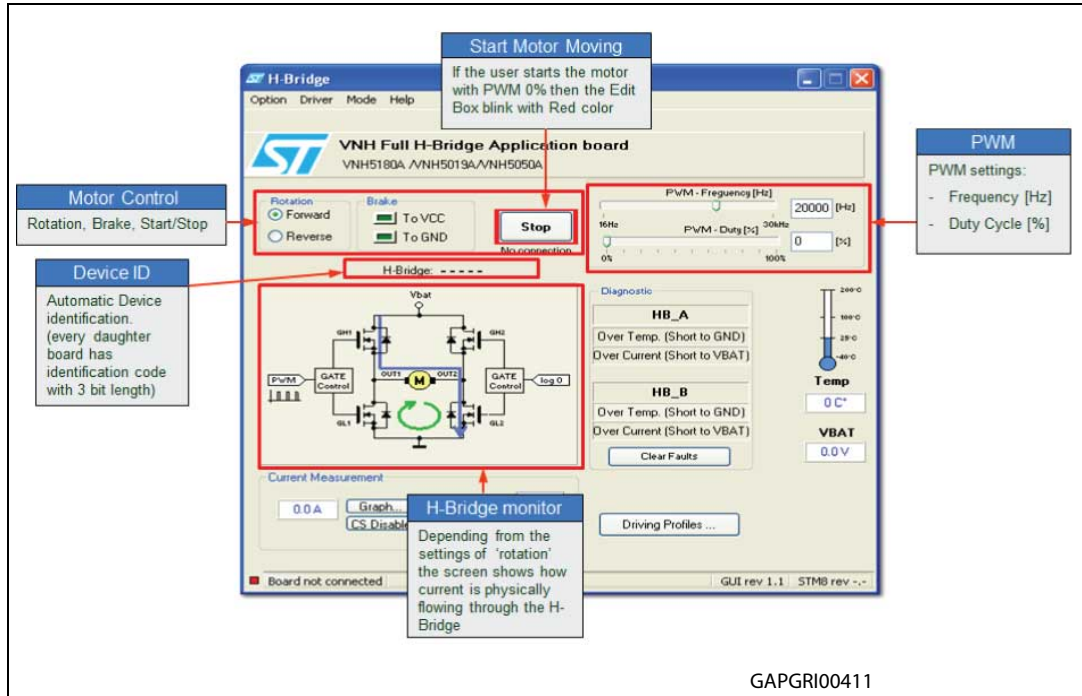
Figure 7. GUI installation (2/2)





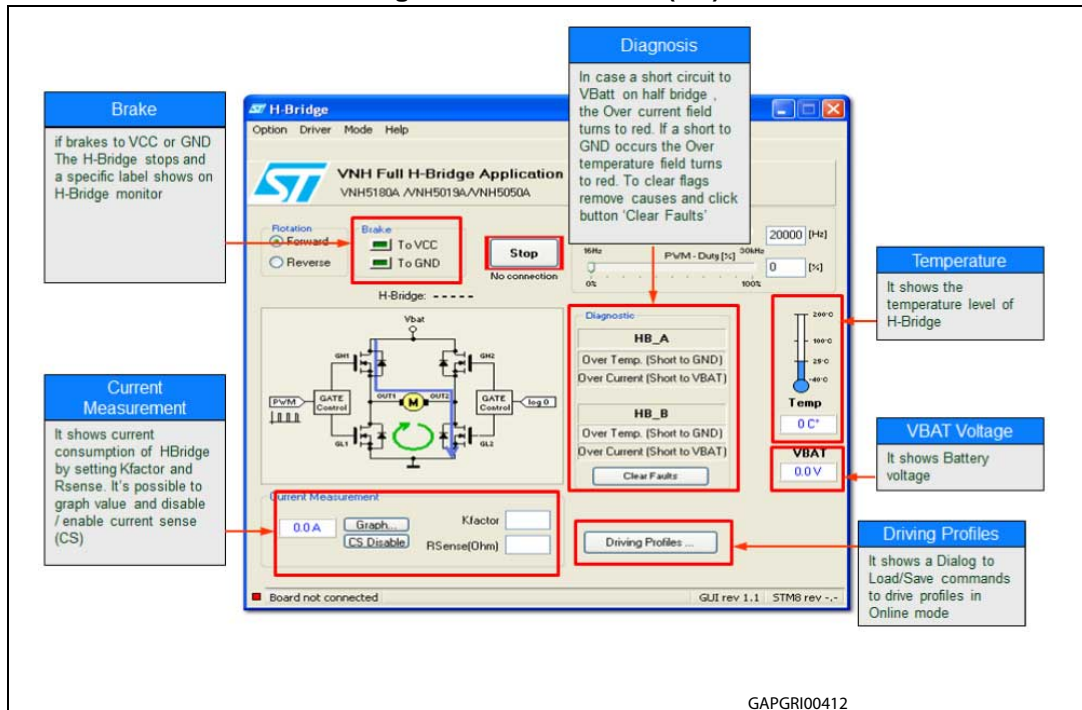
### 3 Graphical User Interface

Figure 8. Main Window (1/2)



GAPGRI00411

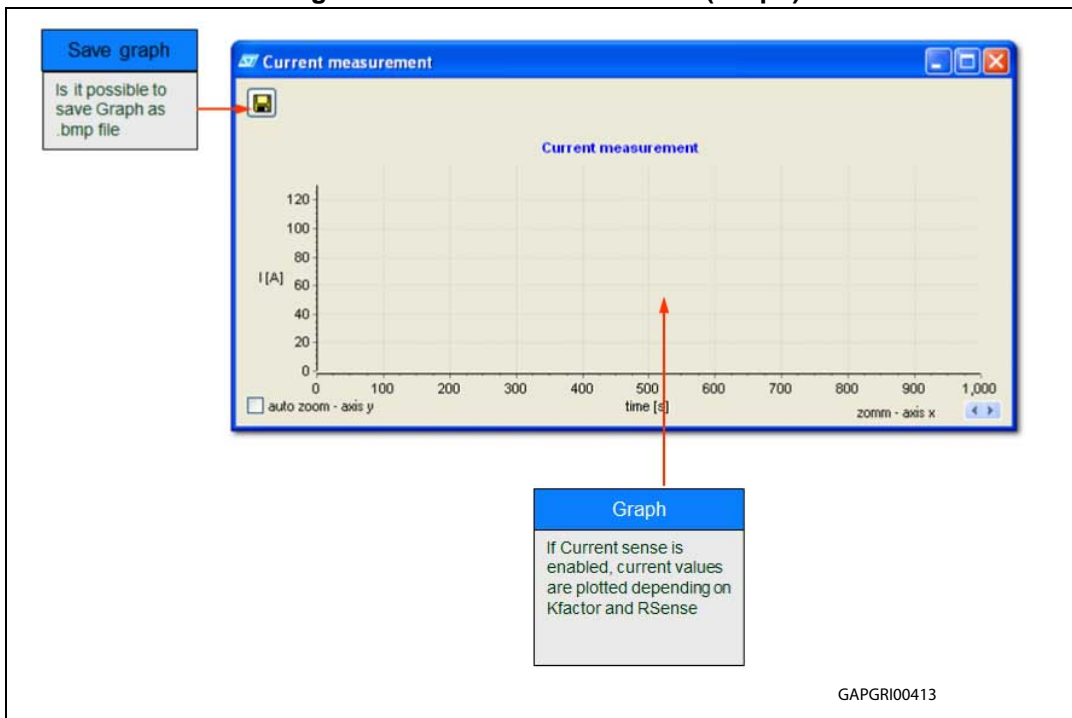
Figure 9. Main Window (2/2)



GAPGRI00412

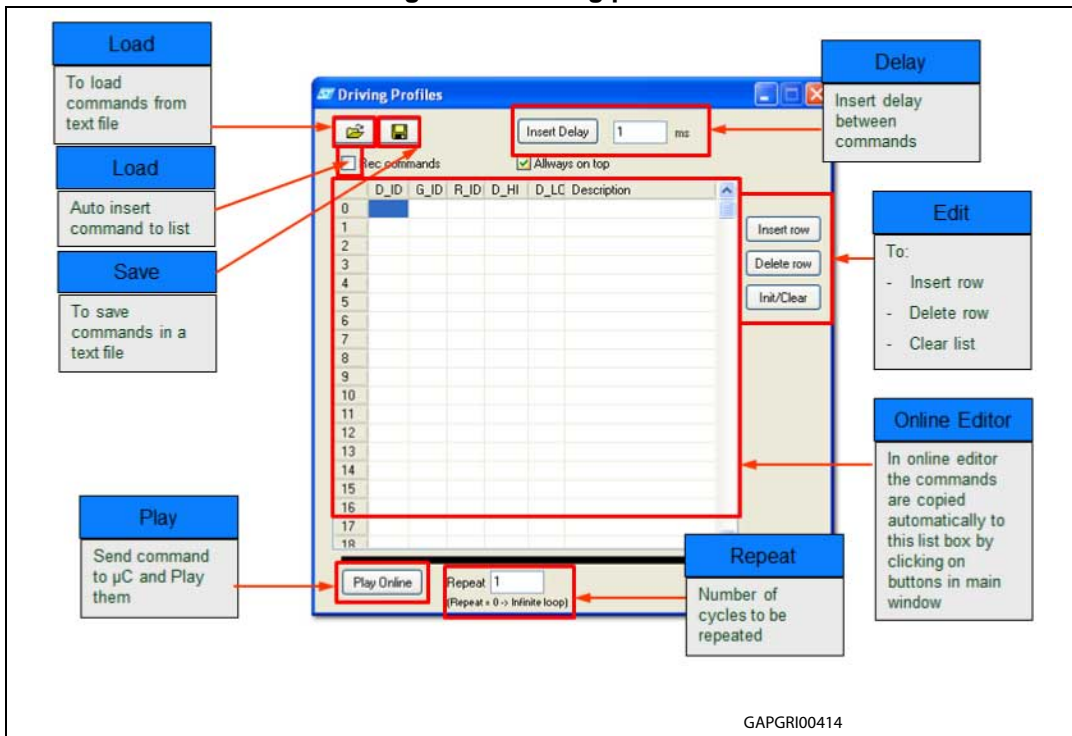


Figure 10. Current measurement (Graph)



GAPGRI00413

Figure 11. Driving profiles



GAPGRI00414

## 4 Revision history

Table 2. Document revision history

| Date        | Revision | Changes   |
|-------------|----------|---|
| 16-Oct-2013 | 1        | Initial release.  |
| 24-Jun-2014 | 2        | Added <a href="#">Section 2.1</a> and <a href="#">Section 2.2</a> . |

**Please Read Carefully:**

Information in this document is provided solely in connection with ST products. STMicroelectronics NV and its subsidiaries ("ST") reserve the right to make changes, corrections, modifications or improvements, to this document, and the products and services described herein at any time, without notice.

All ST products are sold pursuant to ST's terms and conditions of sale.

Purchasers are solely responsible for the choice, selection and use of the ST products and services described herein, and ST assumes no liability whatsoever relating to the choice, selection or use of the ST products and services described herein.

No license, express or implied, by estoppel or otherwise, to any intellectual property rights is granted under this document. If any part of this document refers to any third party products or services it shall not be deemed a license grant by ST for the use of such third party products or services, or any intellectual property contained therein or considered as a warranty covering the use in any manner whatsoever of such third party products or services or any intellectual property contained therein.

**UNLESS OTHERWISE SET FORTH IN ST'S TERMS AND CONDITIONS OF SALE ST DISCLAIMS ANY EXPRESS OR IMPLIED WARRANTY WITH RESPECT TO THE USE AND/OR SALE OF ST PRODUCTS INCLUDING WITHOUT LIMITATION IMPLIED WARRANTIES OF MERCHANTABILITY, FITNESS FOR A PARTICULAR PURPOSE (AND THEIR EQUIVALENTS UNDER THE LAWS OF ANY JURISDICTION), OR INFRINGEMENT OF ANY PATENT, COPYRIGHT OR OTHER INTELLECTUAL PROPERTY RIGHT.**

**ST PRODUCTS ARE NOT DESIGNED OR AUTHORIZED FOR USE IN: (A) SAFETY CRITICAL APPLICATIONS SUCH AS LIFE SUPPORTING, ACTIVE IMPLANTED DEVICES OR SYSTEMS WITH PRODUCT FUNCTIONAL SAFETY REQUIREMENTS; (B) AERONAUTIC APPLICATIONS; (C) AUTOMOTIVE APPLICATIONS OR ENVIRONMENTS, AND/OR (D) AEROSPACE APPLICATIONS OR ENVIRONMENTS. WHERE ST PRODUCTS ARE NOT DESIGNED FOR SUCH USE, THE PURCHASER SHALL USE PRODUCTS AT PURCHASER'S SOLE RISK, EVEN IF ST HAS BEEN INFORMED IN WRITING OF SUCH USAGE, UNLESS A PRODUCT IS EXPRESSLY DESIGNATED BY ST AS BEING INTENDED FOR "AUTOMOTIVE, AUTOMOTIVE SAFETY OR MEDICAL" INDUSTRY DOMAINS ACCORDING TO ST PRODUCT DESIGN SPECIFICATIONS. PRODUCTS FORMALLY ESCC, QML OR JAN QUALIFIED ARE DEEMED SUITABLE FOR USE IN AEROSPACE BY THE CORRESPONDING GOVERNMENTAL AGENCY.**

Resale of ST products with provisions different from the statements and/or technical features set forth in this document shall immediately void any warranty granted by ST for the ST product or service described herein and shall not create or extend in any manner whatsoever, any liability of ST.

ST and the ST logo are trademarks or registered trademarks of ST in various countries.

Information in this document supersedes and replaces all information previously supplied.

The ST logo is a registered trademark of STMicroelectronics. All other names are the property of their respective owners.

© 2014 STMicroelectronics - All rights reserved

STMicroelectronics group of companies

Australia - Belgium - Brazil - Canada - China - Czech Republic - Finland - France - Germany - Hong Kong - India - Israel - Italy - Japan - Malaysia - Malta - Morocco - Philippines - Singapore - Spain - Sweden - Switzerland - United Kingdom - United States of America

[www.st.com](http://www.st.com)

